

xEnergy Basic

Wall-mounted and Floor-standing Switchboards
for Low-voltage Sub-distribution up to 630 A



Product Catalog



Powering Business Worldwide



We make what matters work.*

* At Eaton, we believe that power is a fundamental part of just about everything people do. That's why we're dedicated to helping our customers find new ways to manage electrical, hydraulic and mechanical power more efficiently, safely and sustainably. To improve people's lives, the communities where we live and work, and the planet our future generations depend upon. Because this is what really matters. And we're here to make sure it works.

To learn more go to: [Eaton.com/whatmatters](https://www.eaton.com/whatmatters)

EATON

Powering Business Worldwide

We make what matters work.

wa_vt01318, vt07115, vt10319



Distribution Boards

Distribution Boards

- **Chapter 0**
Table of ContentsPage 1
- **Chapter 1**
Field distribution boards protection class IIPage 2
 - 1.1 Surface-mounted field distribution board EWK-G., IP31.....Page 3
- **Chapter 2**
Enclosures / switchgear cabinets for installation system EPPage 6
 - 2.1 Surface-mounted distribution board BP-O-...-EP-W, IP31Page 8
 - 2.2 Surface-mounted distribution board BPM-O-...-EP, IP55Page 12
 - 2.3 Floor-standing distribution board BPM-F-...-EP, IP55Page 17
- **Chapter 3**
EP installation system - standard modules / mounting kitsPage 22
 - 3.1 EP installation system - standard modules / Fitting-kits, Width 250 mmPage 24
 - 3.2 EP installation system - standard modules / Fitting-kits, Width 500 mmPage 28
 - 3.3 EP installation system - standard modules / Fitting-kits, Width 750 mmPage 32
 - 3.4 EP installation system - standard modules / Fitting-kits, Technical dataPage 34
- **Chapter 4**
EP installation system - general accessoriesPage 41
- **Chapter 5**
Enclosures / switchgear cabinets for installation system Profi+Page 54
 - 5.1 Surface-mounted distribution board BP-O-..., IP30 (pre-assembled)Page 56
 - 5.2 Surface-mounted distribution board BP-O-..., IP30 (flat-pack, grey)Page 60
 - 5.3 Surface-mounted distribution board BP-O-..., IP30 (flat-pack, white)Page 64
 - 5.4 Surface-mounted distribution board BPM-O-..., IP55Page 87
 - 5.5 Flush-mounted distribution board BP(A/M)-U-3S-..., IP30/IP43/IP54Page 97
 - 5.6 Floor-standing distribution board BP-F-..., IP30Page 111
 - 5.7 Distribution boards for special applications, BP-MN / BP-VFPage 122
 - 5.8 Floor-standing distribution board BPM-F-..., IP55Page 127
 - 5.9 Shared compartments inside distribution boards BP(M)-O, BP(M)-F.....Page 139
- **Chapter 6**
Profi+ installation system - components for interior fittingPage 144
 - 6.1 Front plates, blind and with 45mm cut-out for DIN-rail devicesPage 146
 - 6.2 Mounting kits for Moulded Case Circuit BreakerPage 154
 - 6.3 Mounting kits for Fuse Switch DisconnectorsPage 172
 - 6.4 Mounting kits for BZM, Dumeco and QSAPage 178
 - 6.5 Mounting kits for Earthing and Neutral conductorsPage 179
 - 6.6 Mounting plates for universal fixing of different componentsPage 182
 - 6.7 Mounting kits for Energy Meters and various metering equipmentPage 190
- **Chapter 7**
Profi+ installation system - general accessoriesPage 197
- **Chapter 8**
General accessories xEnergy BasicPage 218
- **Chapter 9**
Overall technical data xEnergy BasicPage 238
- **Chapter 10**
Verification of temperature rise by testing - selection of reference examplesPage 243



Width [mm]	Height [mm]	Interior frame size W x H [mm]	Number of rows	Total number of modular units [MU]	Ready-to-use enclosures incl. pre-equipped mounting insert, DIN-rails and covers / prepared for F3A-flanges on top/bottom / door with rotary handle (to be retrofitted with rotary lever BPZ-SH-L-1P)	
EWK-G../31, IP31, protection class II (protective insulated) - complete assembly						
300 (12MU/row)	500	250x450	3	36	EWK-G13/31 193157	incl. 1x PE- and 1x N-combination plug-type terminal 6x 1.5-16 mm ² + 21x 0,75-4 mm ²
	650	250x600	4	48	EWK-G14/31 193158	
	800	250x750	5	60	EWK-G15/31 193159	
	950	250x900	6	72	EWK-G16/31 193160	
550 (24MU/row)	500	500x450	3	72	EWK-G23/31 193161	incl. 2x PE- and 2x N-combination plug-type terminal 6x 1.5-16 mm ² + 21x 0.75-4 mm ²
	650	500x600	4	96	EWK-G24/31 193162	
	800	500x750	5	120	EWK-G25/31 193163	
	950	500x900	6	144	EWK-G26/31 193164	
800 (36MU/row)	500	750x450	3	108	EWK-G33/31 193165	incl. 3x PE- and 3x N-combination plug-type terminal 6x 1.5-16 mm ² + 21x 0.75-4 mm ²
	650	750x600	4	144	EWK-G34/31 193166	
	800	750x750	5	180	EWK-G35/31 193167	
	950	750x900	6	216	EWK-G36/31 193168	
1050 (48MU/row)	800	1000x750	5	240	EWK-G45/31 193169	incl. 4x PE- and 4x N-combination plug-type terminal 6x 1.5-16 mm ² + 21x 0.75-4 mm ²
	950	1000x900	6	288	EWK-G46/31 193170	

Interior width [mm]	Interior height [mm]	Frame size / Number of poles	Rated Current [A]	Type Designation	Article No.	Units per package
EWK-...-KIT, mounting kits for MCCBs and (fuse)- switch disconnectors - suitable for EWK-enclosures (except height of 500 mm)						
250	300	DMV160 / 3- or 4-pole	125	EWK-DMV160-KIT	193695	1
		NZM1 / 3- or 4-pole	125	EWK-NZM1-KIT	193696	1
		NZM2 / 3- or 4-pole	200	EWK-NZM2-KIT	193697	1
		XNH00 / 3-pole	125	EWK-XNH00-KIT	193698	1

System overview

EWK-G../31



- ① Ready-to-use enclosures incl. pre-equipped mounting insert, DIN-rails, N/PE-terminals and protective covers.
- ② The flange apertures at the top/bottom are intended for F3A flanges and must be properly closed to ensure accordance with the IP31 degree of protection.
- ③ The enclosures can be mounted side by side and have been equipped with drilled holes and M8 thread inserts for this purpose (the add-on connection kit EMC2-AC55 can be ordered separately.)
- ④ Optionally, the standard turning lock can be replaced by a rotary lever type BPZ-SH-L-1P (see general accessories).
- ⑤ The position of the mounting insert is perfectly matched to establish an efficient wiring from outside as well as internally from one section to the other.
- ⑥ The module widths of 300/550/800 mm have a single-door with single-point locking mechanism, while the 1050 mm version has two doors with a three-point locking mechanism; the left-hand door has to be locked first via a cam lock (top/bottom).
- ⑦ Special incomer kits for different devices (Dumeco, NZM or XNH up to 200 A) are possible to integrate in the top or bottom position of the enclosure.

EWK Surface-mounted Field Distribution Boards, IP31

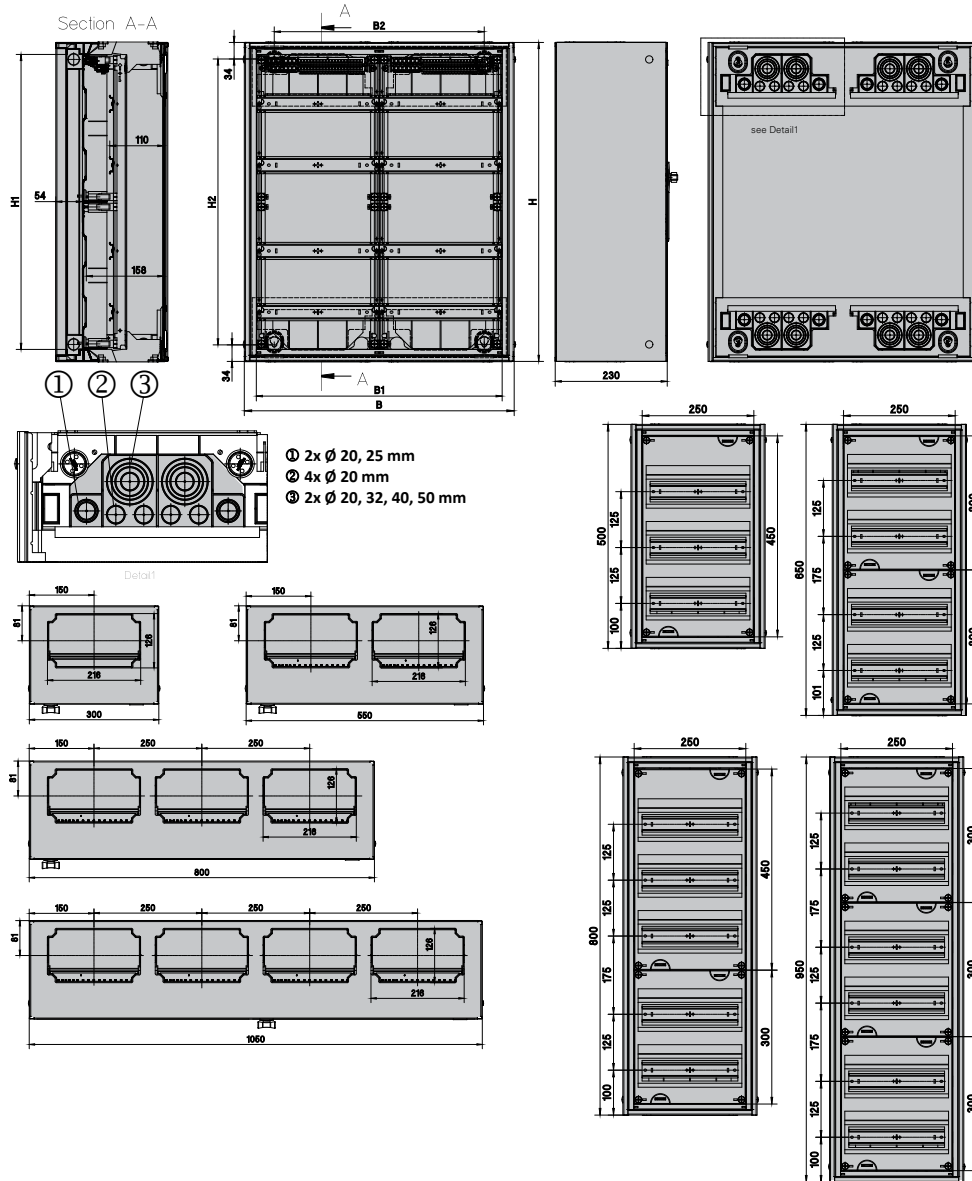
EWK

- Degree of protection IP31, impact resistance IK08
- Protection class II, totally insulated
- Surface-mounted, enclosure depth of around 230 mm
- Complete with door and distribution sections for DIN-modular devices
- Combined plug-type terminals for neutral and protective conductor are included
- Device cover with quick-acting closure
- Fully removable DIN-rail support rack
- Stable and torsion-resistant DIN-rails
- Large wiring area behind the DIN-rails
- Possibility of direct wall mounting
- Fast and easy inversion of the door hinges, 110° opening angle
- For bigger enclosures (width of 1050 mm), the distribution board comes with a 3-point lock
- The standard turning lock enables the use of a rotary lever for different semi-cylinder locks
- Generous cable entry openings prepared for F3A-flanges at the top/bottom
- Enclosure acc.to IEC/EN 62208, dedicated to build assemblies in accordance with IEC/EN 61439-3 Max. rated current between 63 - 200 A, depending on main incomer, enclosure size and design-verified application

Technical Data

EWK	
Electrical	
Version according to	EN 62208
Degree of protection	IP31 acc.to EN 60529
Protection class	II, totally insulated acc.to DIN 43870
Rated voltage	400 V AC
Max. rated current	200 A
Mechanical	
Material	
Enclosure	Sheet steel, powder-coated with corrosion protection, inside lined with plastic (Polystyrole)
Door	Sheet steel, powder-coated with corrosion protection
Colour	
Enclosure	white RAL 9016
Door	non-transparent, white RAL 9016
Door opening angle	110°
Distance between rows	acc.to dimensional drawing
Support rail for devices	DIN rail 35 x 7.5 sheet steel, galvanised
Type of installation	Indoor
Prepared cable entry options	
EWK-G1...	1x F3A-flange cut-out top 1x F3A-flange cut-out bottom
EWK-G2...	2x F3A-flange cut-out top 2x F3A-flange cut-out bottom
EWK-G3...	3x F3A-flange cut-out top 3x F3A-flange cut-out bottom
EWK-G4...	4x F3A-flange cut-out top 4x F3A-flange cut-out bottom
Knock-outs in the plastic part per each 250 mm wide section	acc.to dimensional drawing (Detail 1)

Dimensions (mm)



Typ	Outer dimensions		Inner dimensions		Wall mounting		Pv [W] at (ΔT 20K)	Pv [W] at (ΔT 35K)
	B	H	B1	H1	B2	H2		
EWK-G13/31	300	500	250	450	178	434	33	65
EWK-G14/31		650		600		584	40	80
EWK-G15/31		800		750		734	47	94
EWK-G16/31		950		900		884	54	107
EWK-G23/31	550	500	500	450	428	434	48	96
EWK-G24/31		650		600		584	58	116
EWK-G25/31		800		750		734	68	136
EWK-G26/31		950		900		884	75	150
EWK-G33/31	800	500	750	450	678	434	63	126
EWK-G34/31		650		600		584	66	132
EWK-G35/31		800		750		734	80	160
EWK-G36/31		950		900		884	97	195
EWK-G45/31	1050	800	1000	750	928	734	101	202
EWK-G46/31		950		900		884	133	266

wa_v01318, v07115, v10319



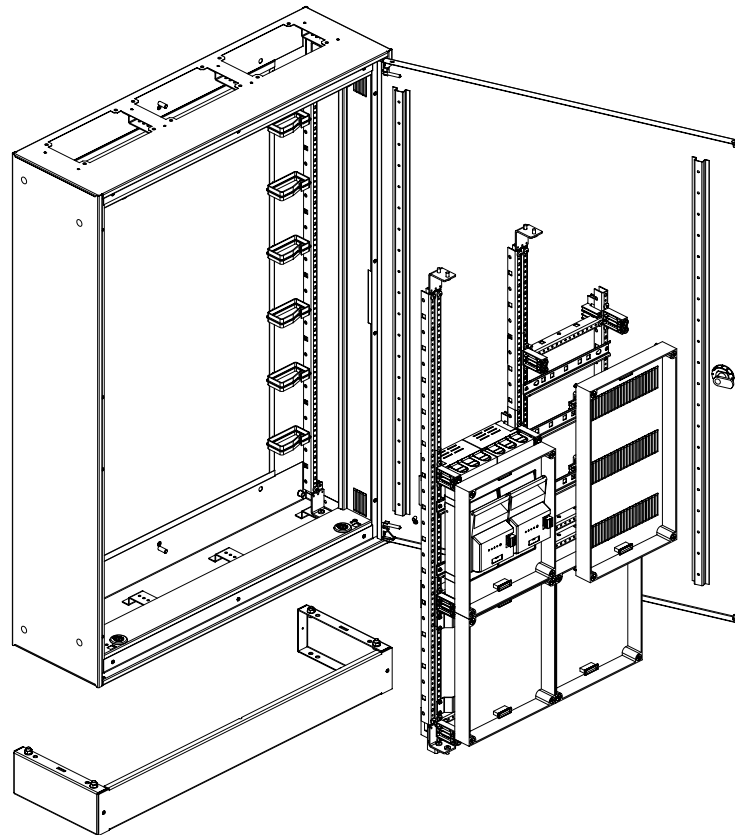
Distribution Boards

Distribution Boards

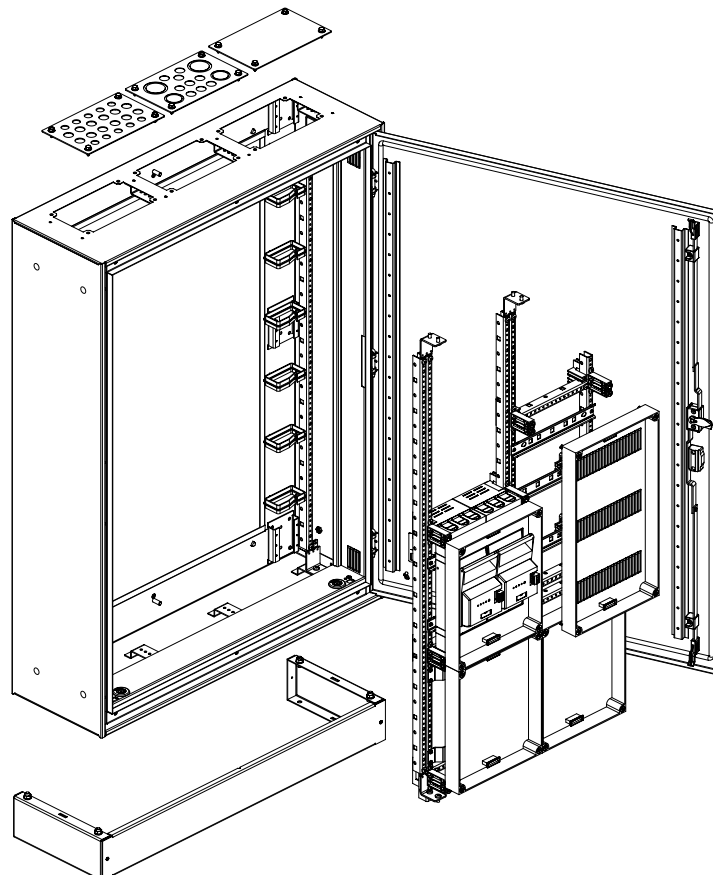
• Chapter 0	
Table of Contents	Page 1
• Chapter 1	
Field distribution boards protection class II	Page 2
1.1 Surface-mounted field distribution board EWK-G., IP31	Page 3
• Chapter 2	
Enclosures / switchgear cabinets for installation system EP	Page 6
2.1 Surface-mounted distribution board BP-O-...-EP-W, IP31	Page 8
2.2 Surface-mounted distribution board BPM-O-...-EP, IP55	Page 12
2.3 Floor-standing distribution board BPM-F-...-EP, IP55	Page 17
• Chapter 3	
EP installation system - standard modules / mounting kits	Page 22
3.1 EP installation system - standard modules / Fitting-kits, Width 250 mm	Page 24
3.2 EP installation system - standard modules / Fitting-kits, Width 500 mm	Page 28
3.3 EP installation system - standard modules / Fitting-kits, Width 750 mm	Page 32
3.4 EP installation system - standard modules / Fitting-kits, Technical data	Page 34
• Chapter 4	
EP installation system - general accessories	Page 41
• Chapter 5	
Enclosures / switchgear cabinets for installation system Profi+	Page 54
5.1 Surface-mounted distribution board BP-O-..., IP30 (pre-assembled)	Page 56
5.2 Surface-mounted distribution board BP-O-..., IP30 (flat-pack, grey)	Page 60
5.3 Surface-mounted distribution board BP-O-..., IP30 (flat-pack, white)	Page 64
5.4 Surface-mounted distribution board BPM-O-..., IP55	Page 87
5.5 Flush-mounted distribution board BP(A/M)-U-3S-..., IP30/IP43/IP54	Page 97
5.6 Floor-standing distribution board BP-F-..., IP30	Page 111
5.7 Distribution boards for special applications, BP-MN / BP-VF	Page 122
5.8 Floor-standing distribution board BPM-F-..., IP55	Page 127
5.9 Shared compartments inside distribution boards BP(M)-O, BP(M)-F	Page 139
• Chapter 6	
Profi+ installation system - components for interior fitting	Page 144
6.1 Front plates, blind and with 45mm cut-out for DIN-rail devices	Page 146
6.2 Mounting kits for Moulded Case Circuit Breaker	Page 154
6.3 Mounting kits for Fuse Switch Disconnectors	Page 172
6.4 Mounting kits for BZM, Dumeco and QSA	Page 178
6.5 Mounting kits for Earthing and Neutral conductors	Page 179
6.6 Mounting plates for universal fixing of different components	Page 182
6.7 Mounting kits for Energy Meters and various metering equipment	Page 190
• Chapter 7	
Profi+ installation system - general accessories	Page 197
• Chapter 8	
General accessories xEnergy Basic	Page 218
• Chapter 9	
Overall technical data xEnergy Basic	Page 238
• Chapter 10	
Verification of temperature rise by testing - selection of reference examples	Page 243

System Overview

BP-0-...-EP-W, IP31



BPM-0-...-EP(-W), IP55



2.1

xEnergy Distribution Boards

Surface-mounted distribution board BP-O-...-EP-W, IP31

wa_vt01318



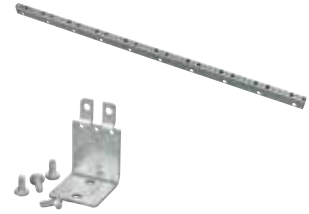
wa_vt01818



vt06905, wa_vt51413



vt07810, vt08710



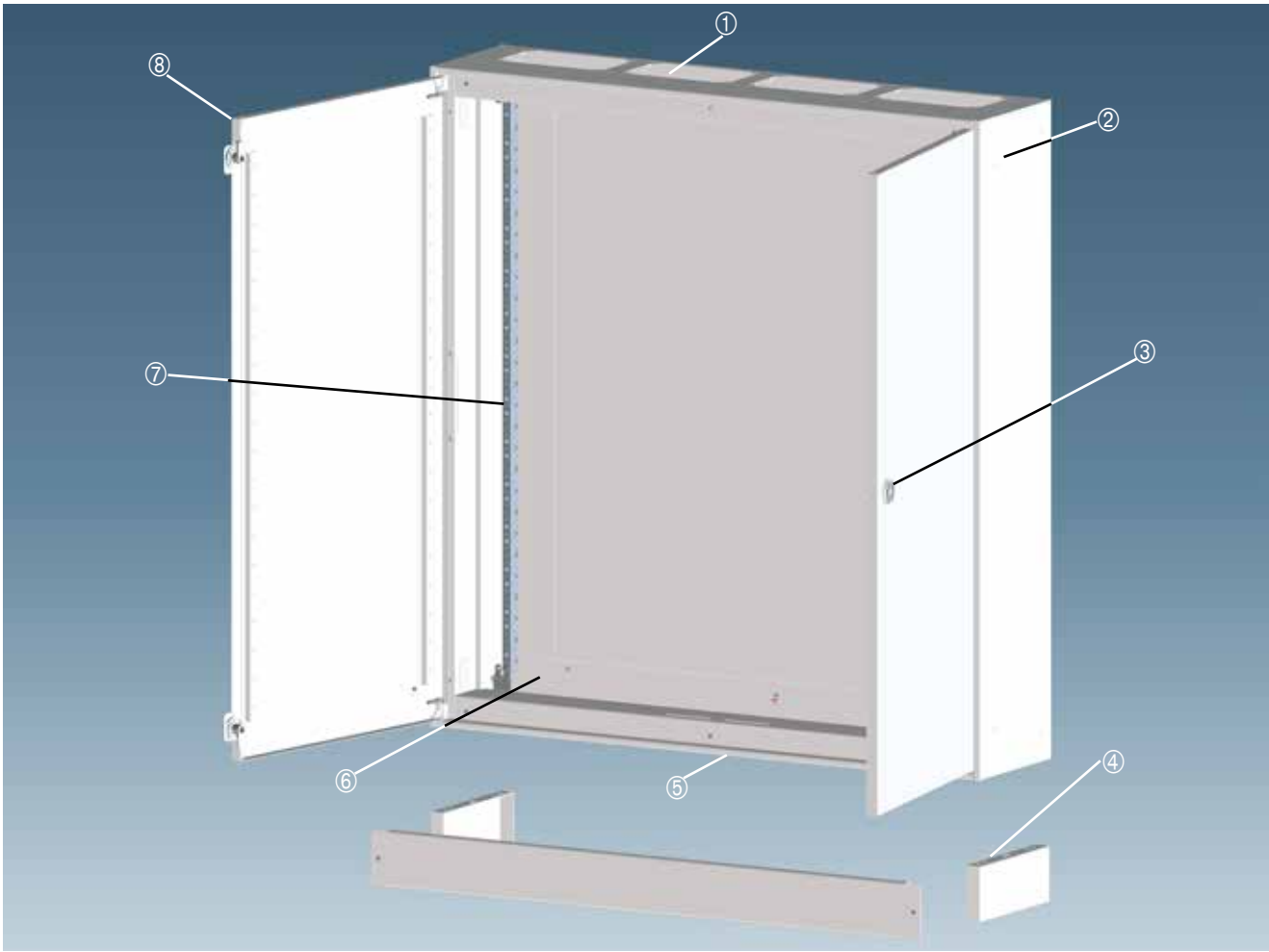
Width [mm]	Height [mm]	EP frame size W x H [mm]	Pre-assembled configuration dedicated to intended for use with EP installation system prepared for F3A-flanges on top / Door with rotary handle	Plinth 100 mm Side parts 1 pair / Front cover	Support rail vertical to accommodate 250 mm Module width + bracket at least 2 pcs. of EPTV to realize two / 250 mm compartments in width 600 mm
			RAL 9016 white Empty	RAL 9016 white	
			Article No. per unit unit = 1 pc.	Article No. per unit unit = 1 pc.	Article No. per unit unit = 1 pc.

BP-O-...-EP-W, IP31 - fully assembled

350 (12MU/row)	860	250x750	BP-O-350/8-EP-W 193171	BPZ-SS-1/249-W 119174	
	1160	250x1050	BP-O-350/11-EP-W 193172	BPZ-FS-350/1-W 194546	
	1460	250x1350	BP-O-350/14-EP-W 300945		
600 (24MU/row)	860	500x750	BP-O-600/8-EP-W 193173	BPZ-SS-1/249-W 119174	EPTV750 + BPZ-TW 143842 + 143864
	1160	500x1050	BP-O-600/11-EP-W 193174	BPZ-FS-600/1-W 293498	EPTV1050 + BPZ-TW 143844 + 143864
	1460	500x1350	BP-O-600/14-EP-W 193175		EPTV1350 + BPZ-TW 143846 + 143864
850 (36MU/row)	860	750x750	BP-O-850/8-EP-W 193176	BPZ-SS-1/249-W 119174	EPTV750 + BPZ-TW 143842 + 143864
	1160	750x1050	BP-O-850/11-EP-W 193177	BPZ-FS-850/1-W 194547	EPTV1050 + BPZ-TW 143844 + 143864
	1460	750x1350	BP-O-850/14-EP-W 193178		EPTV1350 + BPZ-TW 143846 + 143864
1100 (48MU/row)	860	1000x750	BP-O-1100/8-EP-W 193179	BPZ-SS-1/249-W 119174	EPTV750 + BPZ-TW 143842 + 143864
	1160	1000x1050	BP-O-1100/11-EP-W 193180	BPZ-FS-1100/1-W 194548	EPTV1050 + BPZ-TW 143844 + 143864
	1460	1000x1350	BP-O-1100/14-EP-W 193181		EPTV1350 + BPZ-TW 143846 + 143864

System overview

BP-O-...-EP-W



- ① The flange apertures at the top are intended for F3A flanges and must be properly closed to ensure accordance with the IP55 degree of protection.
- ② The enclosures can be mounted side by side and have been equipped with drilled holes and M8 thread inserts for this purpose. (The add-on connection kit BPZ-AC55-0 can be ordered separately.)
- ③ Optionally, the standard plastic cam lock can be replaced with the metal lock BPZ-LOCK or BPZ-LOCK/DBIT3 (see accessories).
- ④ For the floor-standing solution, the use of base elements is recommended. (Side parts BPZ-SS-1/249-W with front plate BPZ-FS-.../1-W can be ordered separately, depending on the width.)
- ⑤ The bottom of the enclosure does not have any pre-drilled holes for cable entry. If required, customers are able to prepare these holes themselves, and they can also rotate the mounting position of the enclosure by 180°.
- ⑥ The device can be mounted directly on the wall using either the pre-drilled holes at the back or the (external) wall-fixing brackets WFB-SET-CS (see accessories).
- ⑦ The vertical EPTV mounting rails are already pre-installed on delivery (at the left/right). Depending on the interior fittings, implementing the desired switchgear assembly may require the configuration of additional EPTVs. (The depth of the EP support frame can be adjusted by up to 25 mm.)
- ⑧ The module widths of 350/600/850 mm have a single-door with single-point locking mechanism, while the 1,100 mm version has two doors with a three-point locking mechanism; the left-hand door has to be locked first via a cam lock (top/bottom).

Description

BP-O-...-EP-W

- Complete cabinets, prepared and ready for the installation of EP mounting units
- Degree of protection IP31
- Impact resistance IK08
- Protection class I (protective earth)
- Cable entry prepared for F3A flange
- The enclosure can be rotated by 180°
- Quick and easy change of the hinge direction, door opening angle 100°
- Standard plastic cam lock
- Direct wall mounting possible, wall-fixing brackets optionally included in the accessories
- Enclosure made from powder-coated sheet steel, RAL 9016 (traffic white)
- Lateral mounting points ensure that several enclosures can be mounted side by side

Technical data

BP-O...-EP-W

Electrical

Type conforms to	IEC/EN 62208
Protection class	I (protective earth)
Degree of protection	IP31 (closed version with door/flansche) IP2XC (open door, the installation level is properly protected with EP covers)
Impact resistance	IK08
Rated operational voltage	415 VAC / 50 Hz
Rated current	Max. 630 A (depending on the type of incoming circuit breaker or the busbar system being used)
Earthing concept for the enclosure	
Main earthing	By means of M8 welding bolts
Door earthing	By means of M6 welding bolts

The permissible temperature increases for switchgear assemblies with a rated current of up to 630 A can be evaluated in accordance with section 10.10.4.2 of IEC/EN 61439-1.

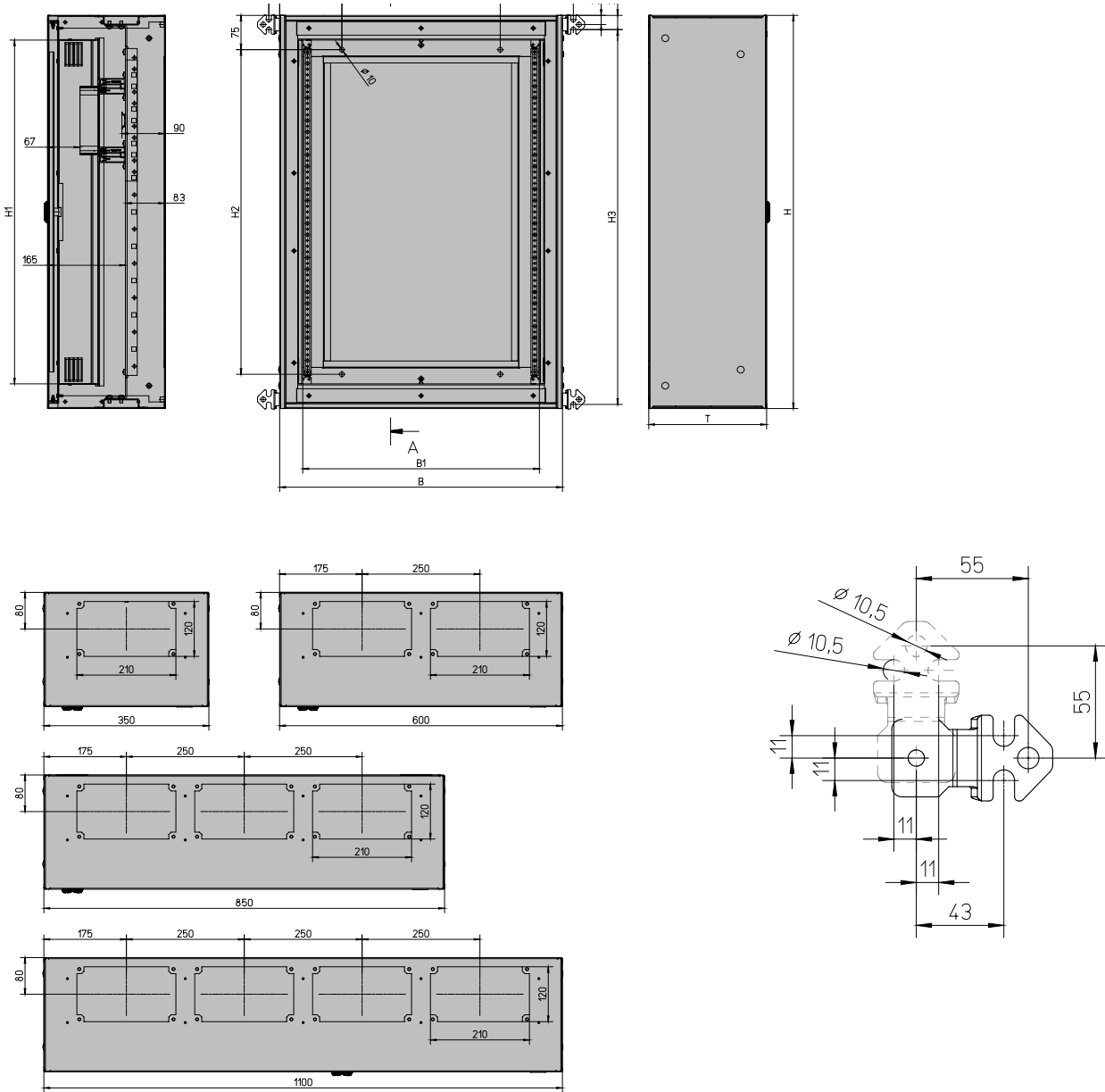
For the maximum permissible heat dissipation for all devices inside the distribution board at an ambient temperature of 35° C and ΔT of 20 K / 35 K at an enclosure height of 75 %, please refer to the table on enclosure dimensions; (calculation method acc.to IEC/TR 60890).

Mechanical

Enclosure	Excellent stability thanks to the welded construction
Material	Sheet steel, phosphated and polyester powder coated (structured) with corrosion protection
Colour	Traffic white, RAL 9016
Door	Hinges on the inside, door opening angle 100°
Type	Flexible interior fittings with EP mounting units on system support frame vertical EPTV support frames are pre-installed on the left and right
Locking mechanism	Standard cam lock (plastic), can be exchanged for a metal lock with standard locking mechanism/two-way key bit
Cable entry	Open, prepared for the insertion of one standard F3A flange for each 250 mm wide module
Ambient conditions	Indoor installation (wall mounting) Max. ambient temperature +40° C Min. ambient temperature -5° C
Halogen-free, RoHS	< 1%, yes
Accessories	Wall-fixing brackets for wall mounting, a 100 mm base if used as a floor-standing cabinet, alternative lock options, add-on connection kit
Delivered as	Complete cabinet, including two units each of EPTV and BPZ-TW, in preparation for the interior fittings with EP (for each 250 mm wide module, an additional pair of EPTV and BPZ-TW units are required)

Dimensions (mm)

BP-O-...-EP-W



Type	Overall dimensions			Internal dimensions (front plate)		Wall mounting (Enclosure directly)		Wall mounting (via fixing bracket set)		Pv [W] (ΔT 20K)	Pv [W] (ΔT 35K)
	Width B	Height H	Depth T	Width B1	Height H1	Width B2	Height H2	B3	H3		
BP-O-350/8-EP-W	350	860	250	250	750	86	710	396	820	53	107
BP-O-350/11-EP-W	350	1160	250	250	1050	86	1010	396	1120	67	135
BP-O-350/14-EP-W	350	1460	250	250	1350	86	1310	396	1420	55	110
BP-O-600/8-EP-W	600	860	250	500	750	336	710	646	820	62	125
BP-O-600/11-EP-W	600	1160	250	500	1050	336	1010	646	1120	73	146
BP-O-600/14-EP-W	600	1460	250	500	1350	336	1310	646	1420	91	182
BP-O-850/8-EP-W	850	860	250	750	750	586	710	896	820	83	167
BP-O-850/11-EP-W	850	1160	250	750	1050	586	1010	896	1120	111	222
BP-O-850/14-EP-W	850	1460	250	750	1350	586	1310	896	1420	134	270
BP-O-1100/8-EP-W	1100	860	250	1000	750	836	710	1146	820	114	228
BP-O-1100/11-EP-W	1100	1160	250	1000	1050	836	1010	1146	1120	151	303
BP-O-1100/14-EP-W	1100	1460	250	1000	1350	836	1310	1146	1420	188	376

2.2

xEnergy Distribution Boards

xEnergy
Basic

Surface-mounted distribution board BPM-O-...-EP, IP55

wa_vt01318



vt39617_r



vt06905_wa_vt51413



vt07810_vt08710



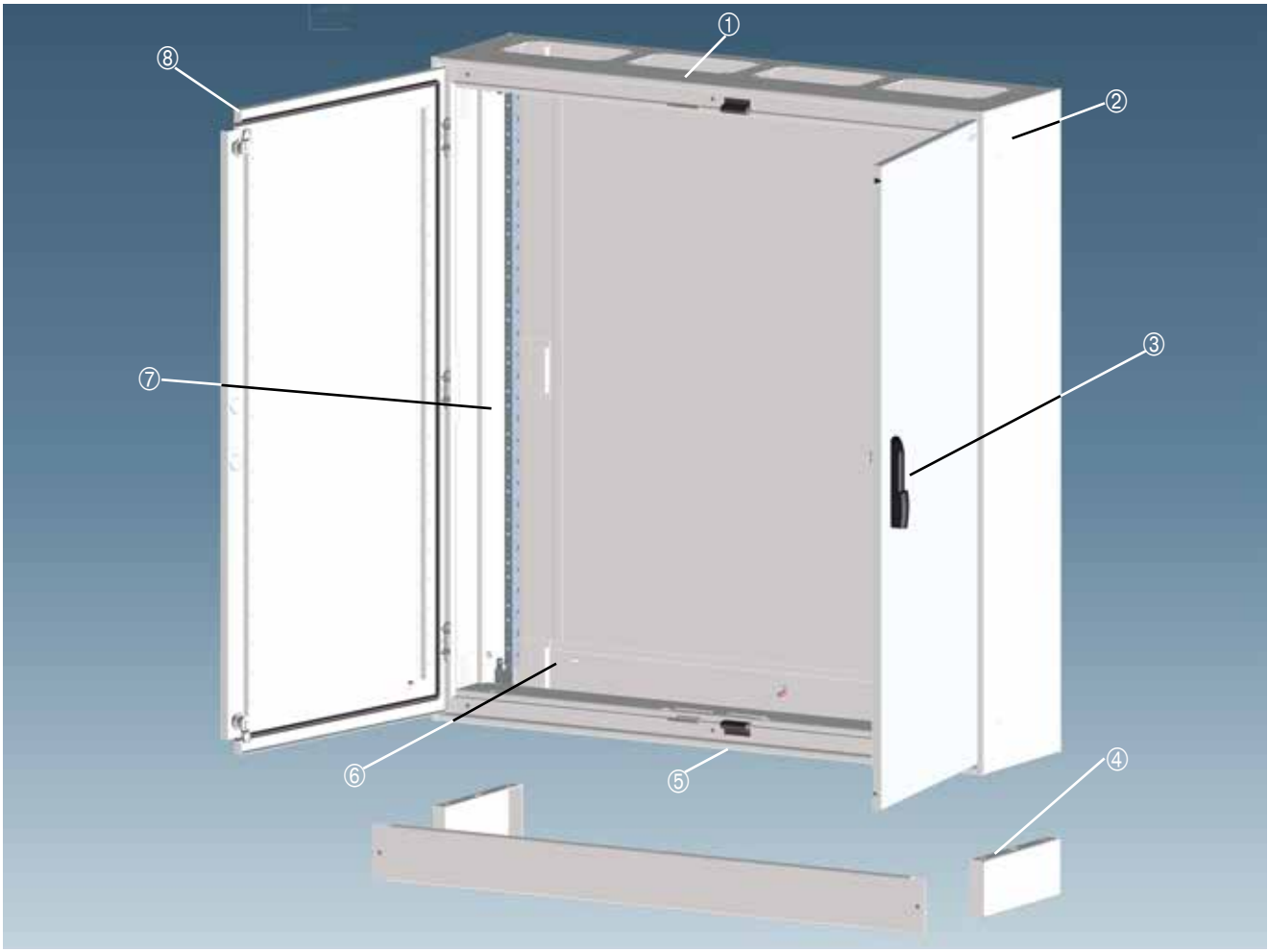
Width [mm]	Height [mm]	EP frame size W x H [mm]	Pre-assembled configuration dedicated to intended for use with EP installation system prepared for F3A-flanges on top / Door with clip-down handle	Plinth 100 mm Side parts 1 pair / Front cover.	Support rail vertical to accommodate 250 mm / Module width + bracket at least 2 pcs. of EPTV to realize two / 250 mm compartments in width 600 mm
			RAL 9016 white	RAL 7035 grey	RAL 9016 white [RAL 7035 grey]
			Article No. per unit unit = 1 pc.	Article No. per unit unit = 1 pc.	Article No. per unit unit = 1 pc.

BPM-O-...-EP, IP55 - fully assembled

350 (12MU/row)	860	250x750	BPM-O-350/8-P-EP-W 193648	BPM-O-350/8-P-EP 195316	BPZ-SS-1/270-W 119173 [BPZ-SS-1/270] [119167]	
	1160	250x1050	BPM-O-350/11-P-EP-W 193649	BPM-O-350/11-P-EP 195317	BPZ-FS-350/1-W 194546 [BPZ-FS-350/1] [142456]	
600 (24MU/row)	860	500x750	BPM-O-600/8-P-EP-W 193182	BPM-O-600/8-P-EP 195318	BPZ-SS-1/270-W 119173 [BPZ-SS-1/270] [119167]	EPTV750 + BPZ-TW 143842 + 143864
	1160	500x1050	BPM-O-600/11-P-EP-W 193183	BPM-O-600/11-P-EP 195319	BPZ-FS-600/1-W 293498 [BPZ-FS-600/1] [293497]	EPTV1050 + BPZ-TW 143844 + 143864
	1460	500x1350	BPM-O-600/14-P-EP-W 193184	BPM-O-600/14-P-EP 195320		EPTV1350 + BPZ-TW 143846 + 143864
850 (36MU/row)	860	750x750	BPM-O-850/8-P-EP-W 193185	BPM-O-850/8-P-EP 195321	BPZ-SS-1/270-W 119173 [BPZ-SS-1/270] [119167]	EPTV750 + BPZ-TW 143842 + 143864
	1160	750x1050	BPM-O-850/11-P-EP-W 193186	BPM-O-850/11-P-EP 195322	BPZ-FS-850/1-W 194547 [BPZ-FS-850/1] [142457]	EPTV1050 + BPZ-TW 143844 + 143864
	1460	750x1350	BPM-O-850/14-P-EP-W 193187	BPM-O-850/14-P-EP 195323		EPTV1350 + BPZ-TW 143846 + 143864
1100 (48MU/row)	860	1000x750	BPM-O-1100/8-P-EP-W 193188	BPM-O-1100/8-P-EP 195324	BPZ-SS-1/270-W 119173 [BPZ-SS-1/270] [119167]	EPTV750 + BPZ-TW 143842 + 143864
	1160	1000x1050	BPM-O-1100/11-P-EP-W 193189	BPM-O-1100/11-P-EP 195325	BPZ-FS-1100/1-W 194548 [BPZ-FS-1100/1] [142458]	EPTV1050 + BPZ-TW 143844 + 143864
	1460	1000x1350	BPM-O-1100/14-P-EP-W 193190	BPM-O-1100/14-P-EP 195326		EPTV1350 + BPZ-TW 143846 + 143864
1350 (60MU/row)	1160	1250x1050	BPM-O-1350/11-P-EP-W 302406	-	BPZ-SS-1/270-W 119173 BPZ-FS-1350/1-W 302819	EPTV1050 + BPZ-TW 143844 + 143864
	1460	1250x1050	BPM-O-1350/14-P-EP-W 302407	-		EPTV1350 + BPZ-TW 143846 + 143864

System overview

BPM-O-...-EP



- ① The flange apertures at the top are intended for F3A flanges and must be properly closed to ensure accordance with the IP55 degree of protection
- ② The enclosures can be mounted side by side and have been equipped with pre-drilled holes and M8 thread inserts for this purpose. (The add-on connection kit BPZ-AC55-0 can be ordered separately.)
- ③ Optionally, the plastic rotary lever can be equipped with a profile half cylinder type PHZ-... (see accessories).
- ④ For the floor-standing version, the use of base elements is recommended. (The side parts BPZ-SS-1/270-W with front plate BPZ-FS-.../1-W can be ordered separately, depending on the module width).
- ⑤ The bottom of the enclosure does not have any pre-drilled holes for cable entry. If required, customers are able to prepare these holes themselves, and they can also rotate the mounting position of the enclosure by 180°.
- ⑥ The device can be mounted directly on the wall using either the pre-drilled holes at the back or the (external) wall-fixing brackets WFB-SET-CS (see accessories).
- ⑦ The vertical EPTV mounting rails are already pre-installed on delivery (at the left/right). Depending on the interior fittings, implementing the desired switchgear assembly may require the configuration of additional EPTVs. (The depth of the EP support frame can be adjusted by up to 25 mm.)
- ⑧ The standard version uses a three-point locking mechanism with drive rods. The module widths of 350/600/850 mm have a single-door, while the 1,100 mm version has two doors; the left-hand door has to be locked first using a two-way key bit (top/bottom).

Description

BPM-O-...-EP

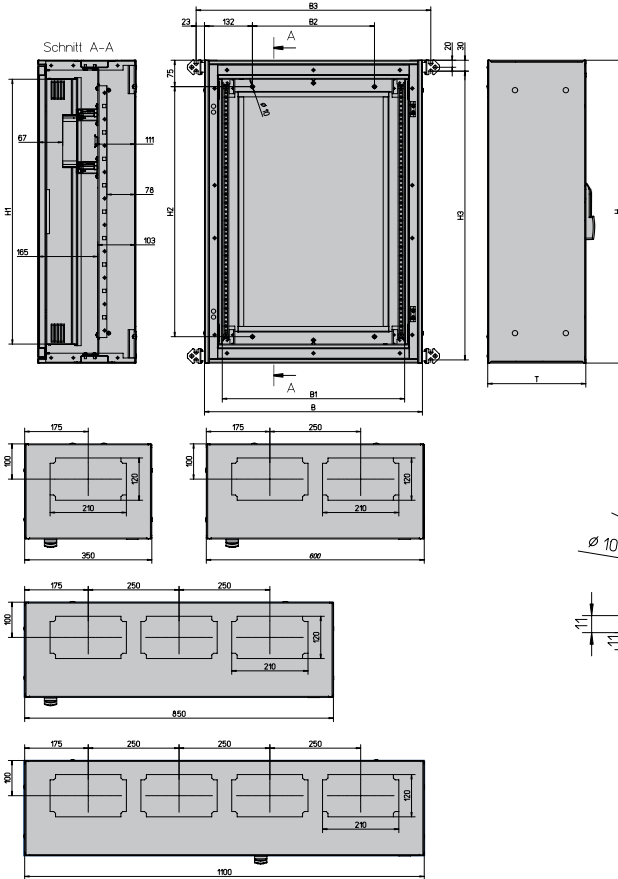
- Complete cabinets, prepared and ready for the installation of EP mounting units
- Degree of protection IP55
- Impact resistance IK10
- Protection class I (protective earth)
- Cable entry prepared for F3A flange
- The enclosure can be rotated by 180°
- Quick and easy change of the hinge direction, door opening angle 100°
- Three-point locking mechanism with rotary lever
- Direct wall mounting possible, wall-fixing brackets optionally included in the accessories
- Enclosure made from powder-coated sheet steel, RAL 9016 (traffic white), RAL 7035 (light grey)
- Lateral mounting points ensure that several enclosures can be mounted side by side

Technical data

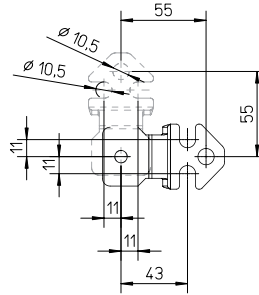
BPM-O-...-EP	
Electrical	
Type conforms to	IEC/EN 62208
Protection class	I (protective earth)
Degree of protection	IP55 (closed version with door/flanges) IP2XC (open door, the installation level is properly protected with EP covers)
Impact resistance	IK10
Rated operational voltage	415 V AC / 50 Hz
Rated current	Max. 630 A (depending on the type of incoming circuit breaker or the busbar system being used)
Earthing concept for the enclosure	
Main earthing	By means of M8 welding bolts
Door earthing	By means of M6 welding bolts
The permissible temperature increases for switchgear assemblies with a rated current of up to 630 A can be evaluated in accordance with section 10.10.4.2 of IEC/EN 61439-1.	
For the maximum permissible heat dissipation for all devices inside the distribution board at an ambient temperature of 35° C and ΔT of 20 K / 35 K at an enclosure height of 75 %, please refer to the table on enclosure dimensions; (calculation method acc.to IEC/TR 60890).	
Mechanical	
Enclosure	Excellent stability thanks to the welded construction
Material	Sheet steel, phosphated and polyester powder coated (structured) with corrosion protection
Color	Traffic white, RAL 9016 / light grey, RAL 7035
Door	With continuous foamed gasket, hinges on the inside, door opening angle 100°
Type	Flexible interior fittings with EP mounting units on system support frame vertical EPTV support frames are pre-installed on the left and right
Locking mechanism	Three-point locking mechanism with rotary lever, lock cylinder optionally included in the accessories
Cable entry	Open, prepared for the insertion of one standard F3A flange for each 250 mm wide module
Ambient conditions	Indoor installation (wall mounting) Max. ambient temperature +40° C Min. ambient temperature -5° C
Halogen-free, RoHS	< 1%, yes
Accessories	Wall-fixing brackets for wall mounting, a 100 mm base if used as a floor-standing cabinet, lock cylinders as inserts for rotary levers, various F3A flanges for cable entry, add-on connection kit
Delivered as	Complete cabinet, including two units each of EPTV and BPZ-TW, in preparation for the interior fittings with EP (for each 250 mm wide module, an additional pair of EPTV and BPZ-TW units are required)

Dimensions (mm)

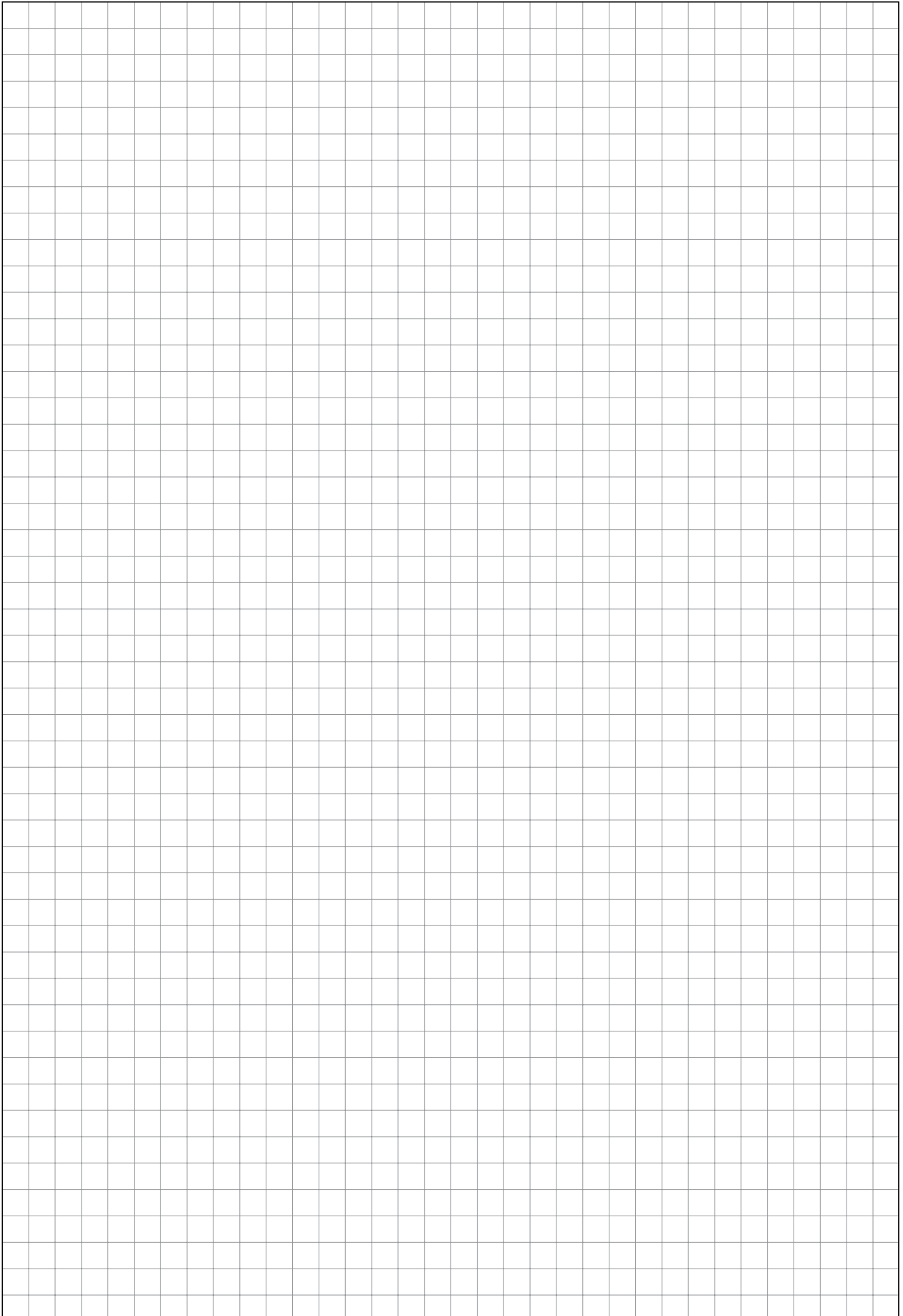
BPM-O-...-EP



Type	B	H	T	B1	H1	B2	H2	B3	H3	Pv [W] (ΔT 20K)	Pv [W] (ΔT 35K)
BPM-O-350/8-P-EP-W	350	860	270	250	752	86	710	396	820	107	167
BPM-O-350/11-P-EP-W	350	1160	270	250	1052	86	1010	396	1120	139	243
BPM-O-600/8-P-EP-W	600	860	270	500	752	336	710	646	820	150	263
BPM-O-600/11-P-EP-W	600	1160	270	500	1052	336	1010	646	1120	194	340
BPM-O-600/14-P-EP-W	600	1460	270	500	1352	336	1310	646	1420	238	416
BPM-O-850/8-P-EP-W	850	860	270	750	752	586	710	896	820	194	339
BPM-O-850/11-P-EP-W	850	1160	270	750	1052	586	1010	896	1120	249	436
BPM-O-850/14-P-EP-W	850	1460	270	750	1352	586	1310	896	1420	305	539
BPM-O-1100/8-P-EP-W	1100	860	270	1000	752	836	710	1146	820	195	271
BPM-O-1100/11-P-EP-W	1100	1160	270	1000	1052	836	1010	1146	1120	304	532
BPM-O-1100/14-P-EP-W	1100	1460	270	1000	1352	836	1310	1146	1420	371	649

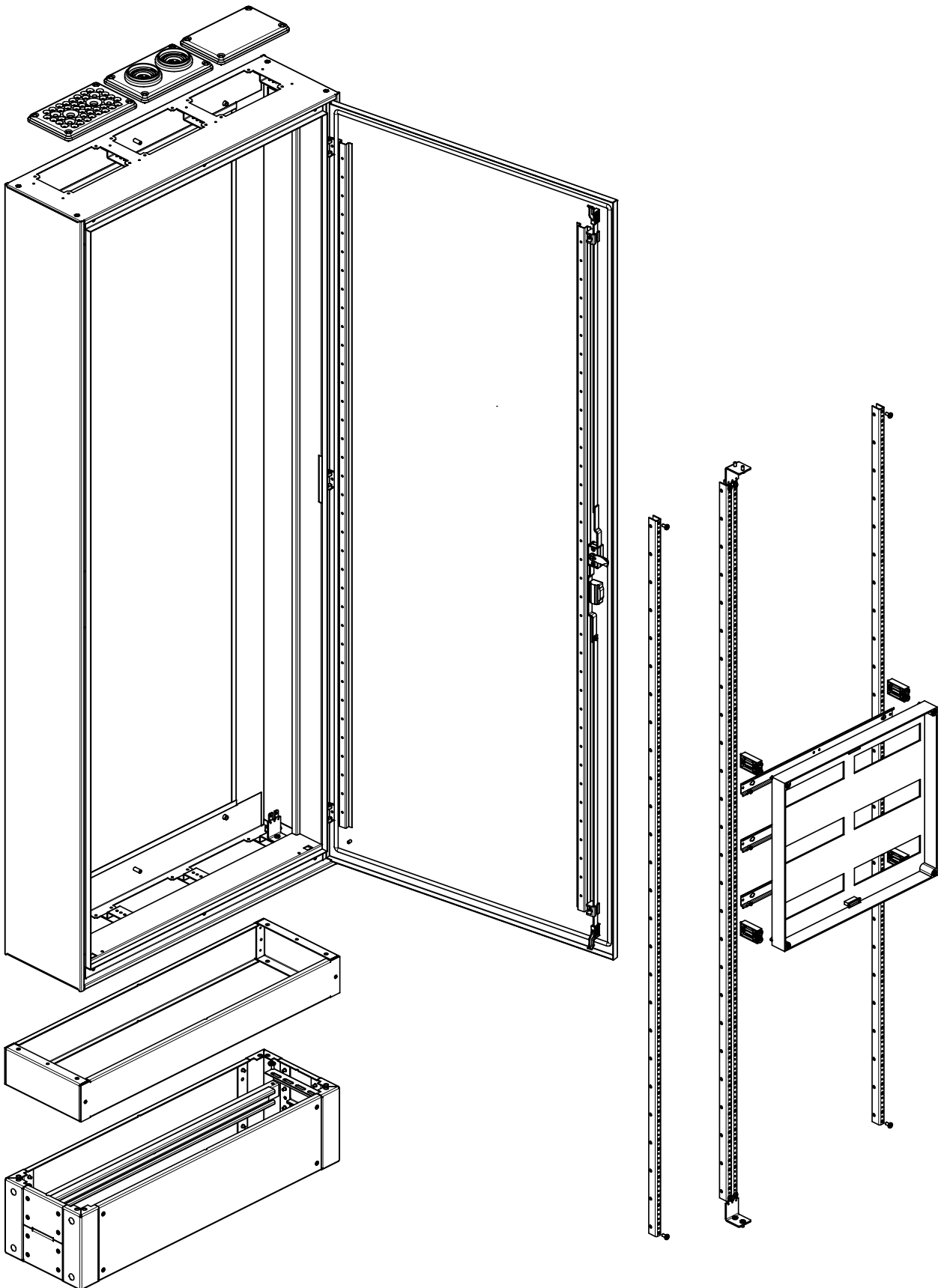


Type	Overall dimensions			Internal dimensions (front plate)		Wall mounting (Enclosure directly)		Wall mounting (via fixing bracket set)		Pv [W] (ΔT 20K)	Pv [W] (ΔT 35K)
	Width B	Height H	Depth T	Width B1	Height H1	Width B2	Height H2	B3	H3		
BPM-O-350/8-P-EP(-W)	350	860	270	250	750	86	710	396	820	55	111
BPM-O-350/11-P-EP(-W)	350	1160	270	250	1050	86	1010	396	1120	52	104
BPM-O-600/8-P-EP(-W)	600	860	270	500	750	336	710	646	820	65	130
BPM-O-600/11-P-EP(-W)	600	1160	270	500	1050	336	1010	646	1120	76	152
BPM-O-600/14-P-EP(-W)	600	1460	270	500	1350	336	1310	646	1420	97	195
BPM-O-850/8-P-EP(-W)	850	860	270	750	750	586	710	896	820	87	175
BPM-O-850/11-P-EP(-W)	850	1160	270	750	1050	586	1010	896	1120	123	248
BPM-O-850/14-P-EP(-W)	850	1460	270	750	1350	586	1310	896	1420	141	283
BPM-O-1100/8-P-EP(-W)	1100	860	270	1000	750	836	710	1146	820	121	242
BPM-O-1100/11-P-EP(-W)	1100	1160	270	1000	1050	836	1010	1146	1120	158	317
BPM-O-1100/14-P-EP(-W)	1100	1460	270	1000	1350	836	1310	1146	1420	199	399
BPM-O-1350/11-P-EP-W	1350	1160	270	1250	1050	1086	1010	1396	1120	206	414
BPM-O-1350/14-P-EP-W	1350	1460	270	1250	1350	1086	1310	1396	1420	268	537



System Overview

BPM-F-...-EP, IP55



2.3

xEnergy Distribution Boards

Floor-standing distribution board BPM-F-...-EP, IP55



Width [mm]	Height [mm]	EP frame size W x H [mm]	Pre-assembled configuration intended for use with EP installation system / Prepared for F3A-flanges on top/bottom / Door with clip-down handle BPZ-SH-L / Standard depth of 250 mm	Incl. fully assembled EP support frame consists of EPTV1800/BPZ-TW and APH(05) to fit for module size EP23xx (250x450mm)	Pre-assembled configuration intended for use with EP / Installation system prepared for F3A-flanges on top/bottom / Door with clip-down handle BPZ-SH-L extended depth of 400 mm / Dedicated as add-on connection cabinet	Support rail vertical with bracket to accommodate 250/500/750/1000 mm / Module widths / At least 2 pcs. of EPTV to realize two 250 mm compartments in width 600 mm
			RAL 7035 grey Empty		RAL 7035 grey Empty	
			Article No. per unit unit = 1 pc.	Article No. per unit unit = 1 pc.	Article No. per unit unit = 1 pc.	Article No. per unit unit = 1 pc.

BPM-F-...-EP, IP55 - fully assembled

Width [mm]	Height [mm]	EP frame size W x H [mm]	Article No. per unit unit = 1 pc.	Article No. per unit unit = 1 pc.	Article No. per unit unit = 1 pc.	Article No. per unit unit = 1 pc.
350 (12MU/row)	1910	250x1800	BPM-F-350/19/2-P-EP 147399	-	BPM-F-350/19/4-P-EP 193191	EPTV1800 + BPZ-TW 143849 + 143864
	2060	250x1950	BPM-F-350/20/2-P-EP 142444	-	-	EPTV1950A-BP + BPZ-TW 143850 + 143864
600 (24MU/row)	1910	500x1800	BPM-F-600/19/2-P-EP 147410	BPM-F-600/19/2-P-288-EP 193650	BPM-F-600/19/4-P-EP 193192	EPTV1800 + BPZ-TW 143849 + 143864
	2060	500x1950	BPM-F-600/20/2-P-EP 142445	-	-	EPTV1950A-BP + BPZ-TW 143850 + 143864
850 (36MU/row)	1910	750x1800	BPM-F-850/19/2-P-EP 147411	BPM-F-850/19/2-P-432-EP 193651	BPM-F-850/19/4-P-EP 193193	EPTV1800 + BPZ-TW 143849 + 143864
	2060	750x1950	BPM-F-850/20/2-P-EP 142446	-	-	EPTV1950A-BP + BPZ-TW 143850 + 143864
1000 (46MU/row)	1910	1000x1800	BPM-F-1100/19/2-P-EP 147412	BPM-F-1100/19/2-P-576-EP 193652	BPM-F-1100/19/4-P-EP 193194	EPTV1800 + BPZ-TW 143849 + 143864
	2060	1000x1950	BPM-F-1100/20/2-P-EP 142447	-	-	EPTV1950A-BP + BPZ-TW 143850 + 143864
1350 (60MU/row)	1910	1250x1800	BPM-F-1350/19/2-P-EP 147413	-	BPM-F-1350/19/4-P-EP 193195	EPTV1800 + BPZ-TW 143849 + 143864
	2060	1250x1950	BPM-F-1350/20/2-P-EP 142448	-	-	EPTV1950A-BP + BPZ-TW 143850 + 143864



Sheet metal door as spare part / Clip-down handle BPZ-SH-L RAL 7035 grey	Plinth 100 mm / Side parts 1 pair / Front cover RAL 7035 grey Standard depth of 250 mm	Plinth 200 mm / Side parts 1 pair / Front cover RAL 7035 grey Standard depth of 250 mm	Cable arrangement / Plinth 75 mm / Cable strain-relief rail RAL 7035 grey Extended depth of 400 mm	Cable arrangement / Plinth 100 mm / Cable strain-relief rail RAL 7035 grey Standard depth of 250 mm	Extended depth of 400 mm	Cable arrangement / Plinth 200 mm / Cable strain-relief rail RAL 7035 grey Standard depth of 250 mm	Extended depth of 400 mm
Article No. per unit unit = 1 pc.	Article No. per unit unit = 1 pc.	Article No. per unit unit = 1 pc.	Article No. per unit unit = 1 pc.	Article No. per unit unit = 1 pc.	Article No. per unit unit = 1 pc.	Article No. per unit unit = 1 pc.	Article No. per unit unit = 1 pc.

BPZ-DMS-350/19-P-EP 147414	BPZ-SS-1/250-EP 142454	BPZ-SS-2/250-EP 142455	BPZ-KR3.50/400 193196	BPZ-KR3.51/250 142464	BPZ-KR3.51/400 193201	BPZ-KR3.52/250 142469	BPZ-KR3.52/400 193205
BPZ-DMS-350/20-P-EP 142449	BPZ-FS-350/1 142456	BPZ-FS-350/2 142460	BPZ-KFS-350 142475	BPZ-KFS-350 142475	BPZ-KFS-350 142475	BPZ-KFS-350 142475	BPZ-KFS-350 142475
BPZ-DMS-600/19-P-EP 147415	BPZ-SS-1/250-EP 142454	BPZ-SS-2/250-EP 142455	BPZ-KR60/400 193197	BPZ-KR61/250 142465	BPZ-KR61/400 193220	BPZ-KR62/250 142470	BPZ-KR62/400 193225
BPZ-DMS-600/20-P-EP 142450	BPZ-FS-600/1 293497	BPZ-FS-600/2 293499	BPZ-KFS-600 116294	BPZ-KFS-600 116294	BPZ-KFS-600 116294	BPZ-KFS-600 116294	BPZ-KFS-600 116294
BPZ-DMS-850/19-P-EP 147416	BPZ-SS-1/250-EP 142454	BPZ-SS-2/250-EP 142455	BPZ-KR8.50/400 193198	BPZ-KR8.51/250 142466	BPZ-KR8.51/400 193202	BPZ-KR8.52/250 142471	BPZ-KR8.52/400 193206
BPZ-DMS-850/20-P-EP 142451	BPZ-FS-850/1 142457	BPZ-FS-850/2 142461	BPZ-KFS-850 142476	BPZ-KFS-850 142476	BPZ-KFS-850 142476	BPZ-KFS-850 142476	BPZ-KFS-850 142476
BPZ-DMS-1100/19-P-EP 147417	BPZ-SS-1/250-EP 142454	BPZ-SS-2/250-EP 142455	BPZ-KR110/400 193199	BPZ-KR111/250 142467	BPZ-KR111/400 193203	BPZ-KR112/250 142472	BPZ-KR112/400 193207
BPZ-DMS-1100/20-P-EP 142452	BPZ-FS-1100/1 142458	BPZ-FS-1100/2 142462	BPZ-KFS-1100 142477	BPZ-KFS-1100 142477	BPZ-KFS-1100 142477	BPZ-KFS-1100 142477	BPZ-KFS-1100 142477
BPZ-DMS-1350/19-P-EP 147418	BPZ-SS-1/250-EP 142454	BPZ-SS-2/250-EP 142455	BPZ-KR130/400 193200	BPZ-KR131/250 142468	BPZ-KR131/400 193204	BPZ-KR132/250 142473	BPZ-KR132/400 193208
BPZ-DMS-1350/20-P-EP 142453	BPZ-FS-1350/1 142459	BPZ-FS-1350/2 142463	BPZ-KFS-1350 142478	BPZ-KFS-1350 142478	BPZ-KFS-1350 142478	BPZ-KFS-1350 142478	BPZ-KFS-1350 142478

Description

BPM-F-...-EP

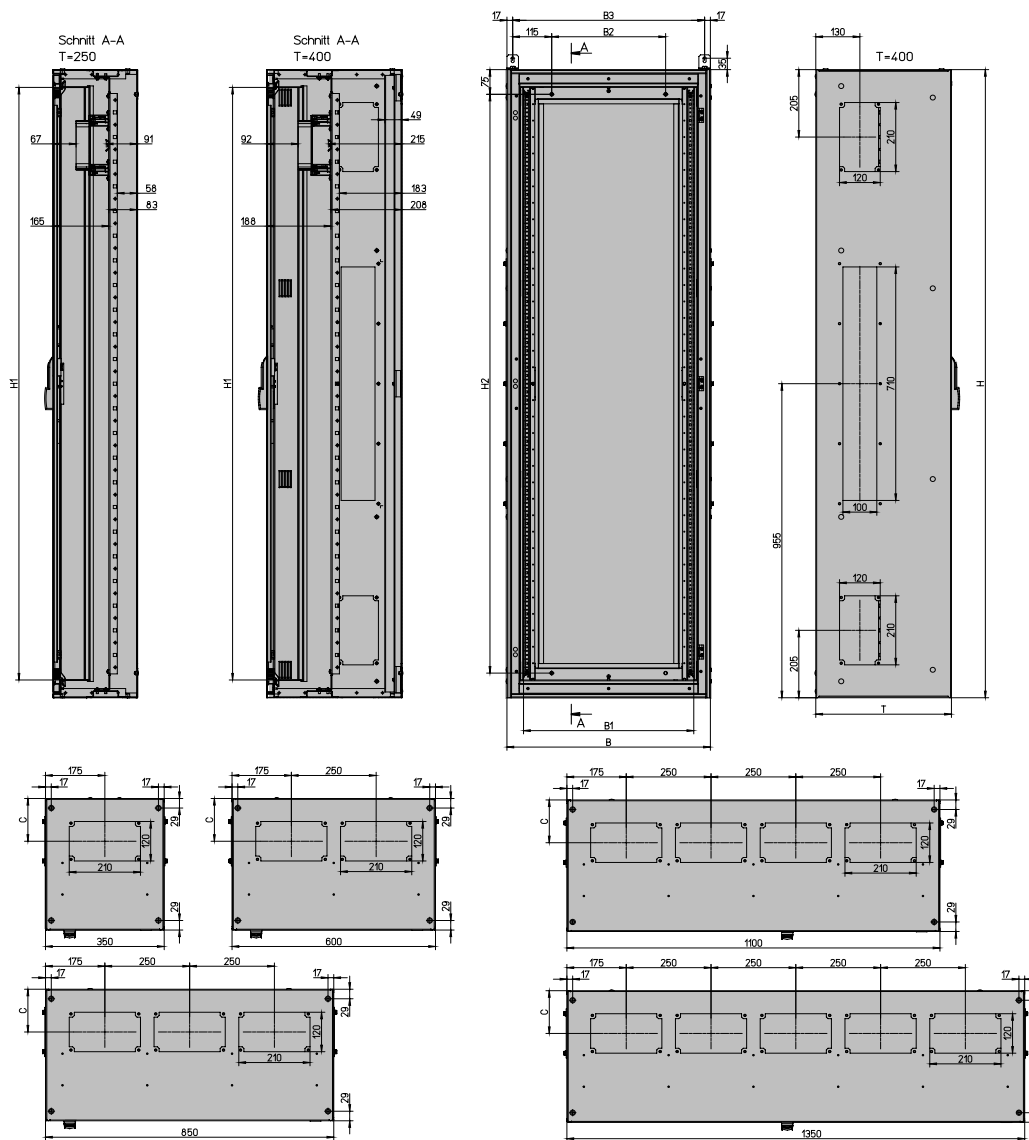
- Complete cabinets, prepared and ready for the installation of EP mounting units
- Degree of protection IP55
- Impact resistance IK10
- Protection class I (protective earth)
- Cable entry prepared for F3A flange
- Quick and easy change of the hinge direction, door opening angle ~100°
- Rotary lever closing mechanism
- Additional wall fixing to avoid tilting
- Enclosure made from powder-coated sheet steel, RAL 7035
- Add-on connection at depth 400 mm provided

Technical data

BPM-F-...-EP	
Electrical	
Type conforms to	IEC/EN 62208
Protection class	I (protective earth)
Degree of protection	IP55 (closed version with door/flansche) IP2XC (open door, the installation level is properly protected with EP covers)
Impact resistance	IK10
Rated operational voltage	415 VAC / 50 Hz
Rated current	Max. 630 A (depending on the type of incoming circuit breaker or the busbar system being used)
Earthing concept for the enclosure	
Main earthing	By means of M8 welding bolts
Door earthing	By means of M6 welding bolts
The permissible temperature increases for switchgear assemblies with a rated current of up to 630 A can be evaluated in accordance with section 10.10.4.2 of IEC/EN 61439-1.	
For the maximum permissible heat dissipation for all devices inside the distribution board at an ambient temperature of 35° C and ΔT of 20 K / 35 K at an enclosure height of 75 %, please refer to the table on enclosure dimensions; (calculation method acc.to IEC/TR 60890).	
Mechanical	
Enclosure	Excellent stability thanks to the welded construction
Material	Sheet steel 1.25 mm, phosphated and polyester powder coated (structured) with corrosion protection
Colour	Light grey RAL 7035
Door	With encircling foamed sealing, hinges on the inside, door opening angle ~100° Doors hinged either left or right, width 1000 / 1200 mm in double-wing design
Type	Flexible interior fittings with EP mounting units on system support frame vertical EPTV support frames are pre-installed on the left and right prepared EP-cabinets incl. support frame with fixed arrangement to accommodate standard modules EP23xx (250x450 mm)
Locking mechanism	Three-point locking mechanism with rotary lever and rod drive (optional lock cylinder as accessory)
Cable entry	Open, prepared for F3A flange on both sides (top+bottom) lateral F3A cut-outs (top+bottom) for additional cable entry or cross-wiring at a depth of 400 mm
Busbar system	Prepared for incorporating a continuous busbar system over several sections with depth 400 mm Generous cut-outs left/right (closed with blind plates when delivered)
Ambient condition	Indoor installation (Assembly with/without plinth with additional fixing to a wall, „stand-alone“ not recommended) Max. ambient temperature +40° C Min. ambient temperature -5° C
Halogen-free, RoHS	< 1%, yes
Accessories	Base options respectively cable arrangement plinths in height 100 / 200 mm, cabinet-based EP parts
Delivered as	Complete cabinet, including two units each of EPTV and BPZ-TW, in preparation for the interior fittings with EP (for each 250 mm wide module, an additional pair of EPTV and BPZ-TW units are required) Wall fixing brackets BPZ-WW (for depth 250 mm)

Dimensions (mm)

BPM-F-...-EP



Type	Overall dimensions			Internal dimensions (front plate)		Wall mounting (Enclosure directly)		Wall mounting (additional)		Pv [W] (ΔT 20K)	Pv [W] (ΔT 35K)
	Width B	Height H	Depth T	Width B1	Height H1	Width B2	Height H2	B3	C		
BPM-F-350/19/2-P-EP	350	1910	250	250	1800	86	1760	316	90	65	131
BPM-F-350/20/2-P-EP	350	2060	250	250	1950	86	1910	316	90	70	141
BPM-F-600/19/2-P-EP	600	1910	250	500	1800	336	1760	566	90	119	240
BPM-F-600/20/2-P-EP	600	2060	250	500	1950	336	1910	566	90	127	255
BPM-F-850/19/2-P-EP	850	1910	250	750	1800	586	1760	816	90	182	366
BPM-F-850/20/2-P-EP	850	2060	250	750	1950	586	1910	816	90	183	368
BPM-F-1100/19/2-P-EP	1100	1910	250	1000	1800	836	1760	1066	90	213	428
BPM-F-1100/20/2-P-EP	1100	2060	250	1000	1950	836	1910	1066	90	221	444
BPM-F-1350/19/2-P-EP	1350	1910	250	1250	1800	1086	1760	1316	90	254	509
BPM-F-1350/20/2-P-EP	1350	2060	250	1250	1950	1086	1910	1316	90	268	537
BPM-F-350/19/4-P-EP	350	1910	400	250	1800	86	1760	-	130	110	221
BPM-F-600/19/4-P-EP	600	1910	400	500	1800	336	1760	-	130	175	351
BPM-F-850/19/4-P-EP	850	1910	400	750	1800	586	1760	-	130	217	436
BPM-F-1100/19/4-P-EP	1100	1910	400	1000	1800	836	1760	-	130	268	538
BPM-F-1350/19/4-P-EP	1350	1910	400	1250	1800	1086	1760	-	130	310	622

wa_v01318, v07115, v10319



Distribution Boards

Distribution Boards

• Chapter 0	Table of Contents	Page 1
• Chapter 1	Field distribution boards protection class II	Page 2
1.1	Surface-mounted field distribution board EWK-G., IP31	Page 3
• Chapter 2	Enclosures / switchgear cabinets for installation system EP	Page 6
2.1	Surface-mounted distribution board BP-O-...-EP-W, IP31	Page 8
2.2	Surface-mounted distribution board BPM-O-...-EP, IP55	Page 12
2.3	Floor-standing distribution board BPM-F-...-EP, IP55	Page 17
• Chapter 3	EP installation system - standard modules / mounting kits	Page 22
3.1	EP installation system - standard modules / Fitting-kits, Width 250 mm	Page 24
3.2	EP installation system - standard modules / Fitting-kits, Width 500 mm	Page 28
3.3	EP installation system - standard modules / Fitting-kits, Width 750 mm	Page 32
3.4	EP installation system - standard modules / Fitting-kits, Technical data	Page 34
• Chapter 4	EP installation system - general accessories	Page 41
• Chapter 5	Enclosures / switchgear cabinets for installation system Profi+	Page 54
5.1	Surface-mounted distribution board BP-O-..., IP30 (pre-assembled)	Page 56
5.2	Surface-mounted distribution board BP-O-..., IP30 (flat-pack, grey)	Page 60
5.3	Surface-mounted distribution board BP-O-..., IP30 (flat-pack, white)	Page 64
5.4	Surface-mounted distribution board BPM-O-..., IP55	Page 87
5.5	Flush-mounted distribution board BP(A/M)-U-3S-..., IP30/IP43/IP54	Page 97
5.6	Floor-standing distribution board BP-F-..., IP30	Page 111
5.7	Distribution boards for special applications, BP-MN / BP-VF	Page 122
5.8	Floor-standing distribution board BPM-F-..., IP55	Page 127
5.9	Shared compartments inside distribution boards BP(M)-O, BP(M)-F	Page 139
• Chapter 6	Profi+ installation system - components for interior fitting	Page 144
6.1	Front plates, blind and with 45mm cut-out for DIN-rail devices	Page 146
6.2	Mounting kits for Moulded Case Circuit Breaker	Page 154
6.3	Mounting kits for Fuse Switch Disconnectors	Page 172
6.4	Mounting kits for BZM, Dumeco and QSA	Page 178
6.5	Mounting kits for Earthing and Neutral conductors	Page 179
6.6	Mounting plates for universal fixing of different components	Page 182
6.7	Mounting kits for Energy Meters and various metering equipment	Page 190
• Chapter 7	Profi+ installation system - general accessories	Page 197
• Chapter 8	General accessories xEnergy Basic	Page 218
• Chapter 9	Overall technical data xEnergy Basic	Page 238
• Chapter 10	Verification of temperature rise by testing - selection of reference examples	Page 243

System Overview

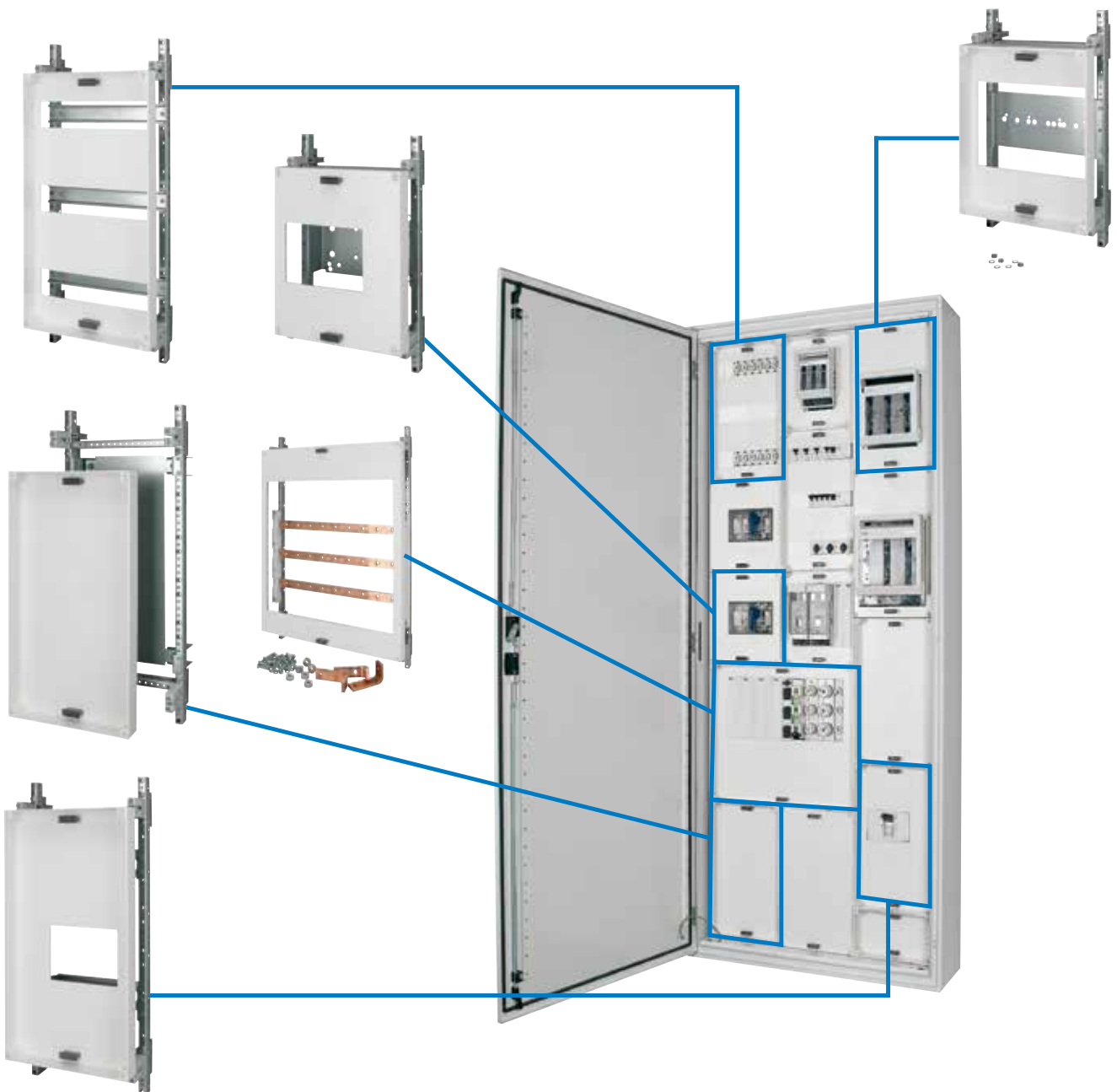
xEnergy Basic with standardized fitting-system EP

The EP system is an installation system with increased contact safety for the operator, because all modules/cover plates are made of plastic. The structure is rational and flexible.

A large number of standard mounting kits, especially for EATON protective devices and components enables efficient project planning for different applications. Usually there is no further mechanical processing necessary. The two major benefits are ease of use and time savings.

In addition, the installation space of the cabinets / wall enclosures is divided into uniform modules/sections, 150 mm in height and 250 mm in width, which can be combined with each other individually.

The distance between single rows for devices has also been standardized: It is 150 mm for the entire EP installation system. It gives more space for the installer to route the cables/wiring properly.



3.1

xEnergy Distribution Boards

EP installation system - standard modules / mounting kits, width 250 mm

v06310



v06410



v05510



Width [mm] Height [mm]

(12 MU / row)
incl. fastener kit/handles
(cover plate holders are not part of delivery)

Installation on EP support frame
Cover plate for individual use;
intended to be used as hood or pan

RAL 9002 grey
Article No.
per unit
unit = 1 pc.

Installation on EP support frame
Cover plate for modular devices
and related components;
intended to be used as hood or pan

RAL 9002 grey
Article No.
per unit
unit = 1 pc.

Installation on EP support frame
Mounting kit for modular devices and related
components; intended to be used as pan incl.
DIN-rails 35x7.5 mm (1 rail per 150 mm section)
EP2xRGT (transparent cover incl.)

RAL 9002 grey
Article No.
per unit
unit = 1 pc.

EP installation system - standard modules

Width [mm]	Height [mm]	Image	Article No. / Description	Article No. / Description	Article No. / Description
250	150		EP21AP 143867	EP21ORG 143884	EP21RG 143897
	300		EP22AP 143868 EP22APT 193665	EP22ORG 143885	EP22RG 143898 EP22RGT 193663
	450		EP23AP 143869 EP23APT 193666	EP23ORG 143886	EP23RG 143899 EP23RGT 193664
	600		EP24AP 143870	EP24ORG 143887	EP24RG 143900
	750		EP25AP 143871	EP25ORG 143888	EP25RG 143901

EP installation system - standard modules / mounting kits, width 250 mm

v105410



v106910



v105810



v106110



Installation on EP support frame / Mounting kit for modular devices / terminal blocks without access / intended to be used as hood or pan incl. DIN-rails 35x7.5 mm / (1 rail per 150 mm section)

EP2xRK2-V (vertical alignment)
EP2xRKxA (depth-adjustable)
RAL 9002 grey

Article No.
per unit
unit = 1 pc.

Installation on EP support frame / Mounting kit for individual use and general fixing of devices / intended to be used as hood or pan incl. mounting plate and depth-adjustable brackets

EP2xMP(A) (non-perforated)
EP2xMPL (micro-perforated)
RAL 9002 grey

Article No.
per unit
unit = 1 pc.

Installation on EP support frame / Cover plate for busbar-mounted fuse base sizes D02, D11 and D111; intended to be used as pan; fitting unit is fed-in from the side 3-pole busbar system (60 mm) not incl.

EP22GRC... (max. size 162 mm - vertical)
EP23GRC... (max. size 324 mm - horizontal)
RAL 9002 grey

Article No.
per unit
unit = 1 pc.

Installation on EP support frame / Cover plate for busbar-mounted NH fuse switch-disconnector size NH000/NH00; intended to be used as pan; fitting unit is fed-in from the side 3-pole busbar system (60 mm) not incl.

EP22GRT... (3x NH000)

Article No.
per unit
unit = 1 pc.

EP21RK1
143910

EP21MP
143916

-

-

EP22RK2
143911
EP22RK2-V
193667
EP22RK2A
193669

EP22MP
143917
EP22MPA
193659

EP22GRC162-OG
143943

EP22GRT3000R-OG
143947

EP23RK2
143912
EP23RK2-V
193668
EP23RK3A
193670

EP23MP
143918
EP23MPA
193660
EP23MPL
193657

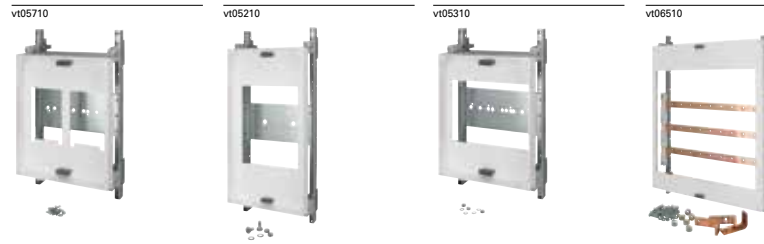
EP23GRC324-OG
143945

-

3.1

xEnergy Distribution Boards

EP installation system - standard modules / mounting kits, width 250 mm



Width [mm]	Height [mm]	Installation on EP support frame / Mounting kit for NH fuse switch-disconnectors, frame size NH00 - NH2, up to 400A, incl. mounting plate (if needed) / R-variants are dedicated for busbar mounting, 3-pole busbar system (60mm) not included / intended to be used as pan;			Installation on EP support frame / Mounting kit for NH In-line fuse switch-disconnector, frame size NH00-NH3, up to 630A, intended to be used as pan; NH00: 3-pole busbar system (100 mm) NH1-3: 3-pole busbar system (185 mm)		
(12 MU / row) incl. fastener kit/handles (cover plate holders are not part of delivery)		EP22XNH001... (1x XNH00 3p/4p) EP22XNH002... (2x XNH00 3p) EP23XNH002... (2x XNH00 3p) RAL 9002 grey	EP23XNH11... (1x XNH1 3p) RAL 9002 grey	EP23XNH21... (1x XNH2 3p) RAL 9002 grey	EP24GTL... (4x NH00, Cu 30x5mm) EP25GTL... (1x NH1-3, Cu 2x30x10mm) RAL 9002 grey		
		Article No. per unit unit = 1 pc.	Article No. per unit unit = 1 pc.	Article No. per unit unit = 1 pc.	Article No. per unit unit = 1 pc.		

EP installation system - standard modules

250	150		-				
300			EP22XNH001-OG 184527 EP22XNH002-OG 184528 EP22XNH001-4-OG 184530 EP22XNH001R-OG 184537 EP22XNH002R-OG 184538 EP22XNH002/XRAIL-OG 193655				
450			EP23XNH002R-OG 187907	EP23XNH11-OG 184532 EP23XNH11R-OG 184540	EP23XNH21-OG 184534 EP23XNH21R-OG 184541		
600			-	-	-	EP24GTL400-OG 143949	
750			-	-	-	EP25GTL1-OG 193673	

v105910



v105610



v106710



Installation on EP support frame / Mounting kit for switch-disconnector, type Dumeco, 3-/4-pole, up to 400A, / intended to be used as pan;

EP21GLD125... (1x DMM125)
EP22GLD160... (1x DMV160)
EP22GLD250... (1x DMVS160)
EP22GLD250... (1x DMV250/DMV400)
RAL 9002 grey

Article No.
per unit
unit = 1 pc.

Installation on EP support frame
Mounting kit for fuse switch-disconnector, type QSA, 3-/4-pole, up to 160 A, intended to be used as hood;

EP22QSA... (1x QSA40/QSA63)
EP22QSA... (1x QSA100/QSA160)
RAL 9002 grey

Article No.
per unit
unit = 1 pc.

Installation on EP support frame
Mounting kit for Moulded Case Circuit Breaker (MCCB), type NZM, 3-/4-pole, up to 630A, incl. mounting plate
K-variants are dedicated for toggle operation, R-variants for rotary door handle / direct rotary handle
intended to be used as hood or pan;

EP22NZM1... (1x NZM1-A160)
EP22NZM12... (2x NZM1-A160)
RAL 9002 grey

Article No.
per unit
unit = 1 pc.

EP22NZM2... (1x NZM2-A250)
RAL 9002 grey

Article No.
per unit
unit = 1 pc.

EP23NZM3... (1x NZM3-A630)
RAL 9002 grey

Article No.
per unit
unit = 1 pc.

EP21GLD125-OG
143967

EP22GLD160-OG
143968
EP22GLD250/400-OG
143969

EP22QSA063/125/160-OG
143972

EP22NZM1K-OG
195397
EP22NZM1R-OG
143975
EP22NZM12K-OG
195398
EP22NZM12R-OG
193656

EP22NZM2K-OG
195399
EP22NZM2R-OG
143976

EP23NZM3K-OG
143977
EP23NZM3R-OG
143978

3.2

xEnergy Distribution Boards

EP installation system - standard modules / mounting kits, width 500 mm

v106310



v106410



v105510



Width [mm] Height [mm]

(24 MU / row)
incl. fastener kit/handles
(cover plate holders are not part of delivery)

Installation on EP support frame
Cover plate for individual use;
intended to be used as hood or pan

Installation on EP support frame
Cover plate for modular devices
and related components;
intended to be used as hood or pan

Installation on EP support frame
Mounting kit for modular devices and related
components; intended to be used as pan incl.
DIN-rails 35x7.5 mm (1 rail per 150 mm section)

RAL 9002 grey

RAL 9002 grey

RAL 9002 grey

Article No.
per unit
unit = 1 pc.

Article No.
per unit
unit = 1 pc.

Article No.
per unit
unit = 1 pc.

EP installation system - standard modules

Width [mm]	Height [mm]	Image	Article No. per unit unit = 1 pc.	Article No. per unit unit = 1 pc.	Article No. per unit unit = 1 pc.
500	150		EP51AP 143872	EP51ORG 143889	EP51RG 143902
500	300		EP52AP 143873	EP52ORG 143890	EP52RG 143903
500	450		EP53AP 143874	EP53ORG 143891	EP53RG 143904
500	600		EP54AP 143875	EP54ORG 143892	EP54RG 143905
500	750		EP55AP 143876	EP55ORG 143893	EP55RG 143906

EP installation system - standard modules / mounting kits, width 500 mm

v105410



Installation on EP support frame / Mounting kit for modular devices / terminal blocks without access; intended to be used as hood or pan incl. DIN-rails 35x7.5 mm / (1 rail per 150 mm section)

EP5xRKxA (depth-adjustable)

RAL 9002 grey

Article No.
per unit
unit = 1 pc.

v106910



Installation on EP support frame / Mounting kit for individual use and general fixing of devices; intended to be used as hood or pan incl. mounting plate and depth-adjustable brackets

EP5xMP(A) (non-perforated)
EP5xMPL (micro-perforated)

RAL 9002 grey

Article No.
per unit
unit = 1 pc.

v105810



Installation on EP support frame / Cover plate for busbar-mounted fuse base sizes D02, D11 and D111; intended to be used as pan; fitting unit is fed-in from the side 3-pole busbar system (60 mm) not incl.

EP5xGRC... (max. size 405 mm - vertical)

RAL 9002 grey

Article No.
per unit
unit = 1 pc.

v106110



Installation on EP support frame / Cover plate for busbar-mounted NH fuse switch-disconnector size NH000/NH00; intended to be used as pan; fitting unit is fed-in from the side 3-pole busbar system (60 mm) not incl.

EP52GRT... (6x NH000)

RAL 9002 grey

Article No.
per unit
unit = 1 pc.

EP51RK1
143913

EP51MP
143919

EP52RK2
143914
EP52RK2A
193671

EP52MP
143920
EP52MPA
193661
EP52MPL
193658

EP52GRC405-OG
143944

EP52GRT6000R-OG
143948

EP53RK2
143915
EP53RK3A
193672

EP53MP
143921
EP53MPA
193662

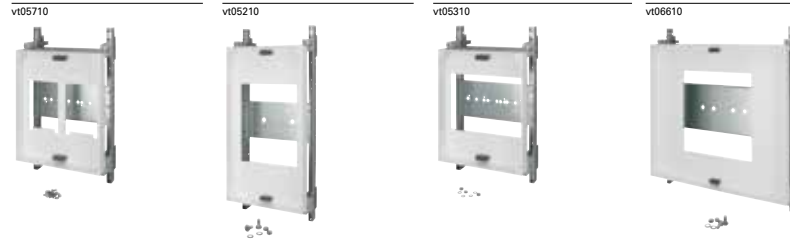
EP53GRC405-OG
143946

-

3.2

xEnergy Distribution Boards

EP installation system - standard modules / mounting kits, width 500 mm



Width [mm]	Height [mm]	Installation on EP support frame Mounting kit for NH fuse switch-disconnectors, frame size NH00 - NH2, up to 630A, incl. mounting plate (if needed) R-variants are dedicated for busbar mounting, 3-pole busbar system (60 mm) not included intended to be used as pan;			
(24 MU / row) incl. fastener kit/handles (cover plate holders are not part of delivery)		EP52XNH004... (4x XNH00 3p) EP52XNH003... (3x XNH00 4p) RAL 9002 grey	EP53XNH11... (1x XNH1 4p) RAL 9002 grey	EP53XNH22... (2x XNH2 3p) RAL 9002 grey	EP53XNH31... (1x XNH3 3p) RAL 9002 grey
		Article No. per unit unit = 1 pc.	Article No. per unit unit = 1 pc.	Article No. per unit unit = 1 pc.	Article No. per unit unit = 1 pc.

EP installation system - standard modules

500	150		<p>EP52XNH004-OG 184529</p> <p>EP52XNH003-4-OG 184531</p> <p>EP52XNH004R-OG 184539</p>	-	-	-
	300		-	<p>EP53XNH11-4-OG 184533</p>	<p>EP53XNH22-OG 184535</p>	<p>EP53XNH31-OG 184536</p>
	450		-	-	-	-
	600		-	-	-	-
	750		-	-	-	-

EP installation system - standard modules / mounting kits, width 500 mm

v106510



Installation on EP support frame / Mounting kit for NH In-line fuse switch-disconnector, frame size NH00-NH3, up to 630A, intended to be used as pan; NH00: 3-pole busbar system (100mm) NH1-3: 3-pole busbar system (185 mm)
EP54GTL... (9x NH00, Cu 30x5mm)
EP55GTL4... (4x NH1-3, Cu 40x10-100x10mm)
EP55GTL3... (3x NH1-3, Cu 2x30x10mm)
RAL 9002 grey

Article No.
per unit
unit = 1 pc.

v105910



Installation on EP support frame / Mounting kit for switch-disconnector, type Dumeco, 3-/4-pole, up to 1600A,; intended to be used as pan;
EP53GLD630... (1x DMV630/DMV1000)
EP53GLD125... (1x DMV1250/DMV1600)
RAL 9002 grey

Article No.
per unit
unit = 1 pc.

v105610



Installation on EP support frame / Mounting kit for fuse switch-disconnector, type QSA, 3-/4-pole, / up to 630A, intended to be used as hood;
EP52QSA... (1x QSA250/QSA400)
EP53QSA... (1x QSA630)
RAL 9002 grey

Article No.
per unit
unit = 1 pc.

v106710



Installation on EP support frame / Mounting kit for Moulded Case Circuit Breaker (MCCB), / type NZM, 3-/4-pole, up to 1600A, incl. mounting plate / K-variants are dedicated for toggle operation, / R-variants for rotary door handle / direct rotary handle / intended to be used as hood or pan;

EP55NZM4... (1x NZM4-A1600)

RAL 9002 grey

Article No.
per unit
unit = 1 pc.

		EP52QSA250/400-OG 143973	-	-
	EP53GLD630/1000-OG 143970 EP53GLD1250/1600-OG 143971	EP53QSA630-OG 143974	-	-
EP54GTL900-OG 143950	-	-	-	-
EP55GTL4-OG 143955 EP55GTL3-OG 193674	-	-	EP55NZM4K-OG 143979 EP55NZM4R-OG 143980	-
EP25AP-GTL *) 180442 *) width 250 mm / feeding unit for NH In-line fuse switch-disconnector module EP55GTL4-OG	-	-	-	-

3.3

xEnergy Distribution Boards

EP installation system - standard modules / mounting kits, width 750 mm

v106310



v106410



v106510

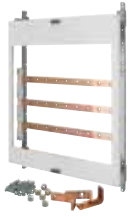


Width [mm]	Height [mm]	Installation on EP support frame Cover plate for individual use; intended to be used as hood or pan	Installation on EP support frame Cover plate for modular devices and related components; / intended to be used as hood or pan	Installation on EP support frame Mounting kit for modular devices and related components; intended to be used as pan incl. DIN-rails 35x7.5 mm (1 rail per 150 mm section)
(36 MU / row) incl. fastener kit/handles (cover plate holders are not part of delivery)				
		RAL 9002 grey	RAL 9002 grey	RAL 9002 grey
		Article No. per unit unit = 1 pc.	Article No. per unit unit = 1 pc.	Article No. per unit unit = 1 pc.

EP installation system - standard modules

750	150	EP71AP 143877		
300		EP72AP 143878	EP72ORG 143894	EP72RG 143907
450		EP73AP 143879	EP73ORG 143895	EP73RG 143908
600		EP74AP 143880	EP74ORG 143896	EP74RG 143909
750		EP75AP 143881	-	-

VT06510



Installation on EP support frame
Mounting kit for NH In-line fuse switch-disconnector, frame size NH00-NH3, up to 630A,
intended to be used as pan; / NH00: 3-pole busbar system (100mm) NH1-3: 3-pole busbar system (185mm)

EP74GTL... (14x NH00, Cu 30x10mm)
EP75GTL7... (7x NH1-3, Cu 40x10-100x10mm)
EP75GTL6... (6x NH1-3, Cu 2x30x10mm)
RAL 9002 grey

Article No.
per unit
unit = 1 pc.

EP74GTL1400-OG
143951

EP75GTL7-OG
143956

EP75GTL6-OG
193675

EP25AP-GTL *)
180442

*) width 250 mm / feeding unit for NH In-line fuse switch-disconnector module EP75GTL7-OG

Set-up and mounting of a standard-section fitting-system, type EP

Type designation

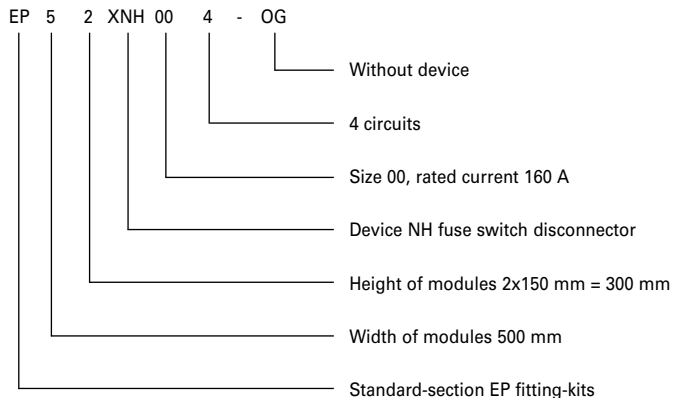
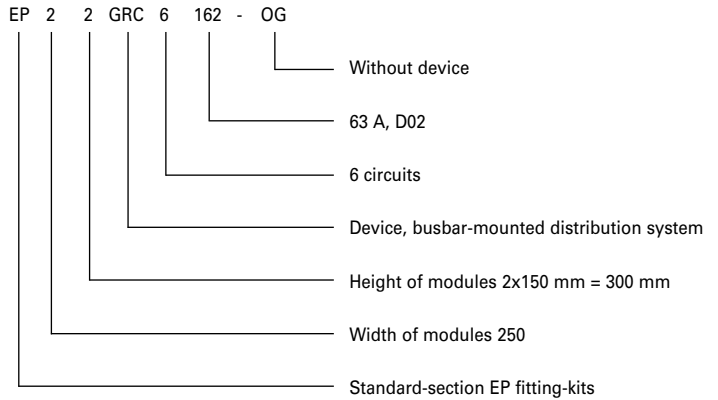
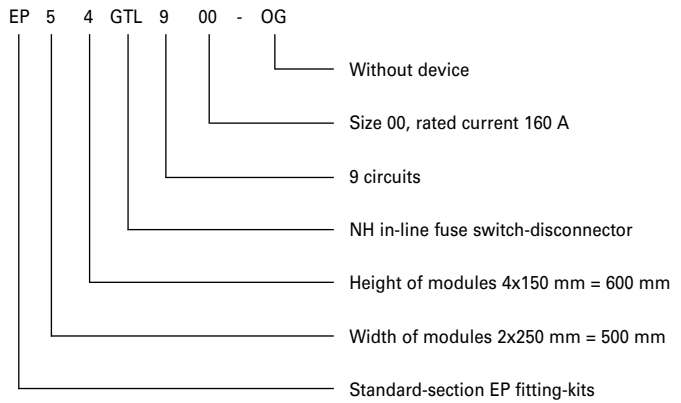
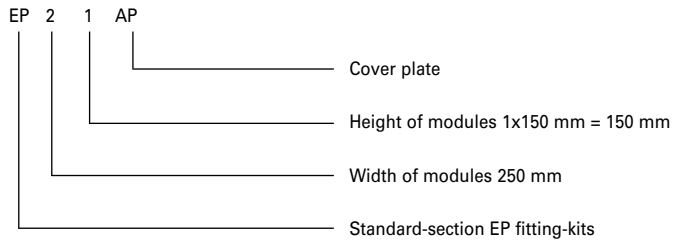
Assembly group variants for:

AP	Cover plate, closed design
RG	Devices for modular installation with DIN support rail
ORG	Devices for modular installation without DIN support rail
RK	Block terminals
MP	Mounting plate
GRT	NH fuse load disconnecter NH000
GRT_R	NH fuse load disconnecter NH000 (busbar mounting)
XNH	NH fuse load disconnecter NH00-NH3
XNH_R	NH fuse load disconnecter NH00-NH3 (busbar mounting)
GRC	Device, busbar-mounted distribution board system Type C
GRC_N	Version D02 (neozed)
GRC_NV	Version D02 (neozed), vertically arranged
GRC_V	Version DII / DIII, vertically arranged
GRC_LD	Version load disconnecter for D -fuses
GRC_OG	Version without device
GTL	Device, NH in-line fuse switch-disconnector
GTL_OG	Version without device
GLD	Device, load disconnecter Dumeco series
QSA	Load disconnecter for NH fuses type QSA
QSA_TK	Version door coupling
GE	Circuit breaker series G size E
Z	Meter
WT	Bracket rest for door wiring

Sizes / Rated current ranges

00	Size 00 / 160 A
1	Size 1 / 250 A
2	Size 2 / 400 A
3	Size 3 / 630 A

Example of types:



Technical features, standard-section fitting-system type EP

Application

As a standard-section fitting-system for use as a switchgear assembly in cabinet systems EWS/EWP, BPM-F, xE Main / Light

Standards and regulations

The system conforms to IEC/EN 61439-1/2

Construction for fixing standard-section fitting-kits

Basis for fixing the standard-section fitting-kits are the support profiles. Standard-section fitting-kits with electrical switchgear are mounted on these support profiles. This complete unit is protected by an electric shock protection cover plate.

Support elements for fixing standard-section fitting-kits

Basis of the internal framework in the type EWS/EWP, BPM-F, xE Main / Light system are the vertical (type EPTV) and horizontal (type EPTH) support profiles. These support profiles are fixed to each other by means of a "Support rail connector" which provides for a reliable and stable construction.

The support profile is designed with a 25 mm high fold, set up in a grid pattern of 250x150 mm according to DIN 43870, part 2, for accommodating mounting plates and support elements.

Material and coverings

Support profile: 25 mm high,, 16 mm wide
2 mm sheet steel

Cover plate: Polystyrene, shock-resistant according to VDE 0304
low inflammability, self-extinguishing

Standard-section fitting-kits type-coding

The following main groups are available:

– Modules for modular installation devices	EP_RG
– Modules for block terminals	EP_RK_
– Modules with mounting plate	EP_MP
– NH fuse load disconnecter modules	EP_XNH_
– NH In-line fuse switch-disconnector modules	EP_GTL_
– Modules with D-fuse elements	EP_GRC_
– Modules with Dumeco load disconnecter	EP_GLD_
– Modules with load disconnectors using fuses type QSA	EP_QSA
– Modules for NZM compact circuit breakers	EP_NZM

Colour

- Cover plate: RAL 9002 - grey-white
- Handle: RAL 7024 - graphite-grey

Standard-section fitting module dimensions

Support profiles are set up in a grid pattern of 250x150 mm.

- Width: 250 mm
- Height: 150, 300, 450, 600, 750 mm
- Width: 500 mm
- Height: 150, 300, 450, 600, 750 mm
- Width: 750 mm
- Height: 150, 300, 450, 600, 750 mm

Delivery

The package contains all parts (cover plate and quick-fixing included) to be mounted on the support profile. Electric shock protection cover plates can be fixed one or the other way round and can therefore be used as a pan or as a hood. Standard-section fitting-kits are delivered complete with handles and captive snap-in tool-type closures for quick fixing. Cover plate holders need to be ordered separately.

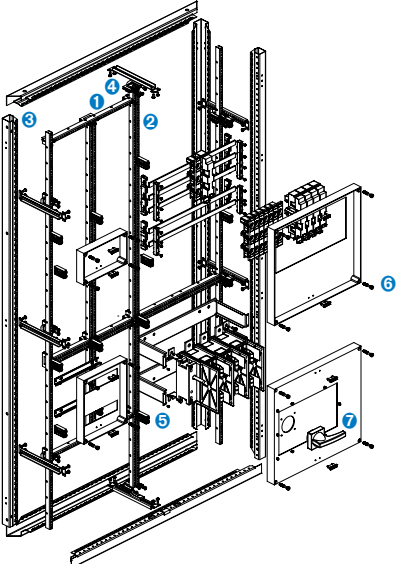
Device cover plates can be used one or the other way round to increase the installation depth. Manual opening is impossible. A sealing for each cover plate is available as an option.

Completely packed in a cardboard box ex-factory with clearly legible product designation.

Product features of standard-section fitting-system, Type EP

Standard-section fitting-kits have the following technical characteristics:

- High stability thanks to the use of a 25 mm high U-fold profile support rail
- Dynamic resistance thanks to support rail connectors made of zinc diecast
- Flexible when it comes to the set-up of both plain and complex cabinet distribution boards
- Easy to install as there are only few system parts
- Pleasant design with calm, warm colours
- Rational planning and project development
- Standard-section fitting-kits can be used in the entire Eaton distribution board range, except in type EWK



1. Support rail, horizontal, type EPTH_

Support rail, horizontal, with the same profiling as the vertical support rail.

2. Support rail, vertical, type EPTV

Support rail, vertical with high dynamic resistance thanks to a 25 mm high fold, also suitable for mounting heavy switchgear.

3. Cabinet connector, type XVTL-SV

A zinc diecast component for connecting the horizontal and/or vertical support rails with the cabinet, depth-adjustable in a 12.5 mm grid pattern according to DIN 43660.

Cabinet connectors for other distribution board systems are:

BP(M)-O/BPM-F Type BPZ-TW

xE Light: Type XVTL-SV

4. Support rail connector, type EPTV_

A zinc diecast component for connecting the horizontal and/or vertical support rails with each other in a grid pattern WxH = 250x150 mm.

5. Cover plate holders, type APH_

Cover plate holders for fixing the electric shock protection cover. Designed as double-holders (Type APH) to reduce the number of individual parts. Also available as single holders (Type APH05). The cover plate holder provides for stable screw-fixing of the cover plates on a horizontal or vertical support rail.

6. Tool-type closure, type APZB

For quick fixing of the electric shock protection cover. Locking through a 90° turn. Lead sealing at a later point in time is possible with all covers.

7. Cover plate handle, type APZB

Beautiful and handy design for better handling of the electric shock protection covers.

System set-up of a standard-section fitting-system, Type EP

System support rails

The standard delivery of a cabinet of the series BP(M)-O, BPM-F, xE Light prepared for a standard-section fitting-system is variable (see delivery details). A left and right side system support rail of type EPTV are the basis for the further inside equipment with vertical and horizontal support rails (Fig. 1).

Additional mounting of a horizontal support rail (type EPTH) and a vertical support rail (type EPTV) provide the framework for further inside equipment with standard-section fitting-kits of type EP (see Fig. 2).

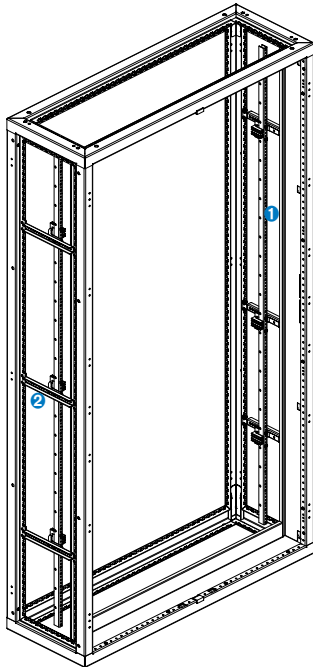


Fig. 1: Standard delivery of distribution board cabinet type xE Light with left and right mounted support profiles.
1) Vertical support profile. 2) Depth fitting kits.

Finish of floor-standing cabinet system - type BPM-F

Floor-standing cabinets BPM-F come equipped with a mounting kit (type BPZ-TW) on the left/right top and bottom, including a left and right support rail of type EPTV1950A-BP and EPTV1800 respectively.

Finish of floor-standing cabinet system - type xE Light

Cabinet system xE Light come equipped with the left/right mounted support rails EPTV1800-XVTL in combination with the depth fitting kits for stability purposes (XVTL-TE).

Depth fitting kits

For even more stability with xE Light you can also retrofit additional depth fitting kits (type XVTL-TE) on the framework.

All cabinets come equipped with an all-around electric shock protection and provide the required protection of people in the combination of assembly groups and cabinet housing.

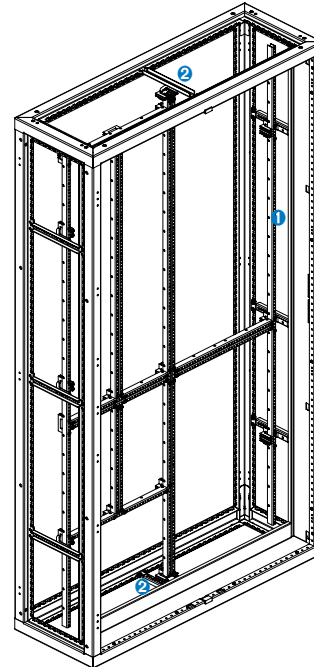


Fig. 2: Distribution board cabinet type xE Light with inside support framework thanks to support profiles for using and fixing standard-section fitting-kits type EP.
1) Vertical support profile. 2) Depth fitting kits.

System description of the standard-section EP fitting-system

The inside equipment with further horizontal and vertical support rails of type EPTH and EPTV depends on well-considered planning and project development regarding the system assembly groups. Subsequently you will find an example of the framework for a low-voltage distribution board.

Support rails and depth fitting kit (Fig. 1 and 2)

For optimal equipment of an xE Light cabinet framework it is reasonable to use as many vertical support rails of type EPTV1800A-XVTL as possible. They need to be fixed at the top and bottom of the depth fitting kit type XVTL-TE. This means that the support rails are directly fixed at the framework which in turn increases the load-bearing capacity of the framework and is especially favourable for installing heavy system assembly groups or devices.

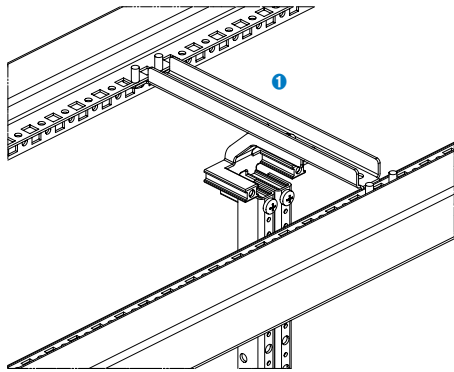


Fig. 1: Depth fitting kit type XVTL-TE - installation at the top
1) Depth fitting kit

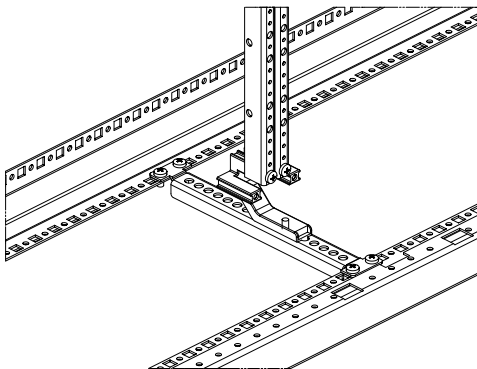


Fig. 2: Depth fitting kit type XVTL-TE - installation at the bottom

Note: If inside a cabinet, as shown in Fig. 1/2, two outer vertical support rails of type EPTV1800A-XVTL are used, you can only use halves of the cover plate holders (type APH05) on each top/bottom end of the support rails to set up the assembly groups. However, if you use inside support rails, you can mount an additional EPTV65 horizontally underneath the two vertical support rails to accommodate a cover plate holder of type APH.

You need to use the support rail connector for connecting horizontal and vertical support rails with each other. The zinc diecast component is extremely stable and provides a high level of dynamic resistance to the connection.

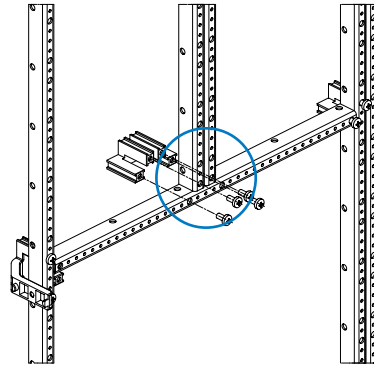


Fig. 3: Support rail connector (type EPTV) - for horizontal installation

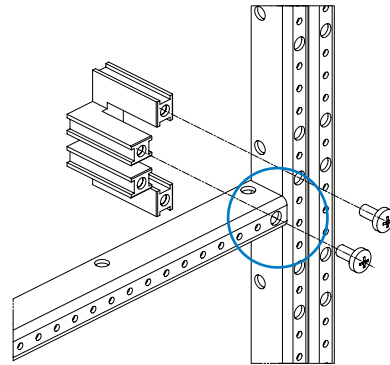


Fig. 4: Support rail connector (type EPTV) - for vertical installation

Support rail connector - half (Fig. 5)

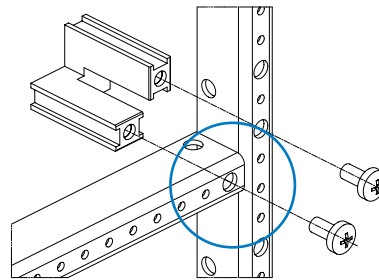


Fig. 5: Support rail connector half (type EPTV05) - for vertical installation

Support rail connector (Fig. 3 and 4)

System description of the standard-section fitting-system, type EP

On the inner side of the system support framework you can fix different electrical equipment using different mounting elements such as DIN profile support rails, device carrier plates, meter plates, busbar system etc., depending on the project design and on the required equipment (see Fig. 1).

Thanks to the predetermined fixing grid of $v_h = 75 \text{ mm}$ according to DIN 43660, the vertical support rails (type EPTV) allow for a variable set-up of the electrical equipment and the corresponding mounting elements.

For this purpose and with the aid of the corresponding building instructions, the mounting elements are directly mounted on these vertical system support rails (type EPTV).

The cover plate holder is designed as a double holder (type APH or APHL) and is screwed onto the horizontal and vertical system support rails in a grid pattern of $250 \times 150 \text{ mm}$. In the respective cabinet corners you have to use halves of the cover plate holders (type APH05 or APHL05).

The electric shock protection cover can simply be fixed using a tool-type closure as a quick fastener through a 90° turn on the cover plate holder.

The complete cabinet system equipped with assembly groups is interconnected with the electrical shock protection running all around the cabinet, it is therefore fully protected against electric shock and offers best operator protection (Fig. 2).

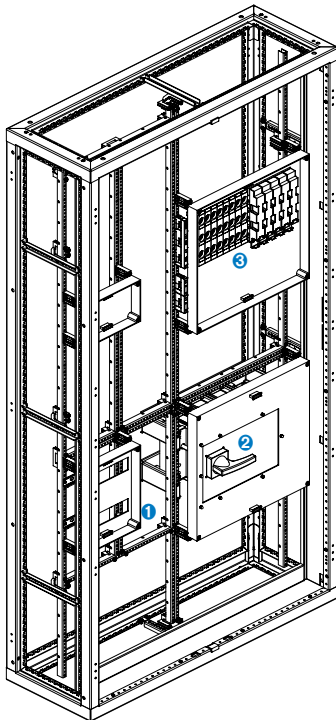


Fig. 1: Cabinet distribution board, partly equipped with standard-section EP fitting-kits
 1) Fitting module type EP for DIN-modular components
 2) Fitting module type EP for Dumeco load disconnectors
 3) Fitting module type EP for busbar-mounting fuses

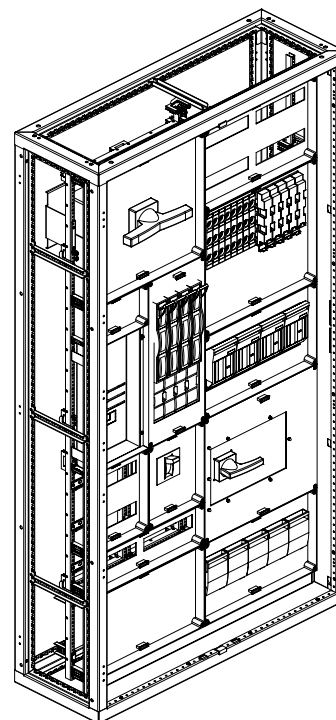


Fig. 2: Cabinet distribution board, fully equipped with the fitting module type EP

Set-up and mounting of a standard-section fitting-system, type EP

Electric shock protection cover plate

Electric shock protection cover plates can be inverted, so they provide for a different mounting level regarding depth:

- as a pan (Fig. 1) 40 mm top edge system support rail 55 mm
- or mounted as a hood (Fig. 2) 93.5 mm top edge system support rail

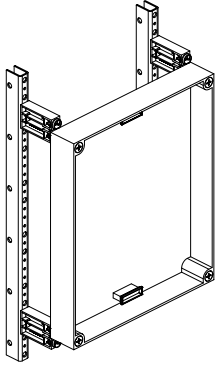


Fig. 1: Electric shock protection used as a pan

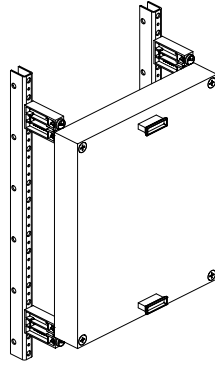


Fig. 2: Electric shock protection used as a hood

DIN support rails (Fig. 3)

Mounting of built-in installation devices according to DIN 43880, e.g. miniature circuit breakers, D0 and D fuse elements, timers, disconnectors, remote switches, contactors etc. with quick fastening on support rail 35x7.5 mm similar to DIN EN 60715.

Depending on the section they rest on, support rails are screwed onto the vertical support rails (type EPTV) using self-tapping screws.

Usually the fitting height between device support rails and device cover is 45 mm, sufficient for all built-in devices with a frame size of 45 mm. In this case the electric shock protection cover plate is mounted as a pan.

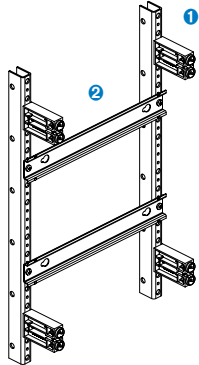


Fig. 3: Fixing of DIN support rails when using the electric shock protection cover plate as a pan
1) Cover plate holder 2) DIN support rail

Set-up bracket for DIN support rails (Fig. 4 and 5)

If you use set-up brackets (type EPAW_TS) you can increase the level of the device support rail by 40 mm. In this case the electric shock protection cover plate is mounted as a hood, so the clearance between the device support rail and the device cover is 45 mm again.

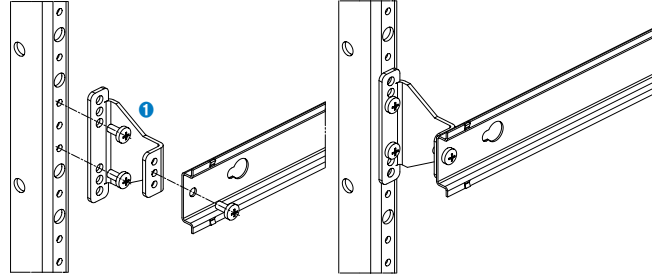


Fig. 4/5: Principle of DIN support rails combined with a set-up bracket and cover plate as a hood
1) Set-up bracket

Drop-down shackle (Fig. 6 and 7)

Thanks to the drop-down shackle (type EPAB-TSMP) the mounting level of the device support rail (and of the mounting plates) can be reduced to 60 mm in steps of 12 mm from the top edge of the system mounting frame (system support rail).

In this case the electric shock protection cover plate is used as a hood so as to increase the fitting depth.

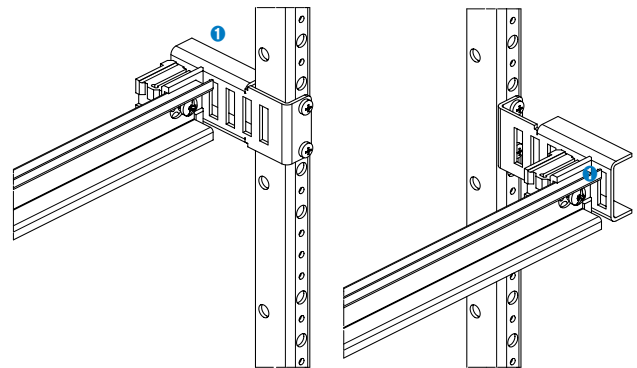


Fig. 6/7: DIN support rails can be brought down in steps of 12 mm
1) Set of drop-down shackles

Mounting plate with drop-down shackle (Fig. 8)

Used for fitting the devices through screw-fastening, such as switchgear, protective assemblies, regulators, converters and other devices. Where depth-adjustable drop-down shackles are used together with standard mounting plates, it is no problem to install switchgear, contactors or other depth-installed devices in steps of 12 mm down to 67.5 mm from the top edge of the system support rail.

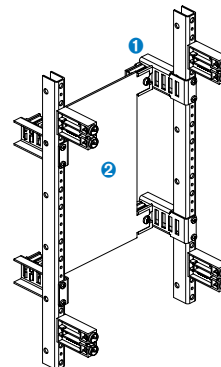


Fig. 8: Mounting plate with a set of drop-down shackles
1) Set of drop-down shackles 2) Mounting plate

Set-up and mounting of a standard-section fitting-system, type EP

Selection of the required low-voltage cabinet system

For selecting the right cabinet system the following aspects need to be considered:

- System assembly group and device inserts?
- Electric shock protection covers required?
- How can they be combined in the switchboard cabinet to be selected?

You also need to take into account:

1. Total volume of the built-in components and device inserts to be used
2. Rated current of the busbar system in case you plan to install one
3. Type of placement - either as a
 - Wall-mounted cabinet distribution board or as a
 - Floor-standing cabinet distribution board, stand-alone

Depending on the above criteria and using the selection tables and the overview of predefined variants, you can find out and determine the suitable solution for the set-up or combination of the device fitting kits and the appropriate electric shock protection covers for the switchboard cabinet system.

Once this has been done, you will know the required number and the arrangement of the support rails; the same applies to the size of the individual switchgear system assembly groups and their device covers.

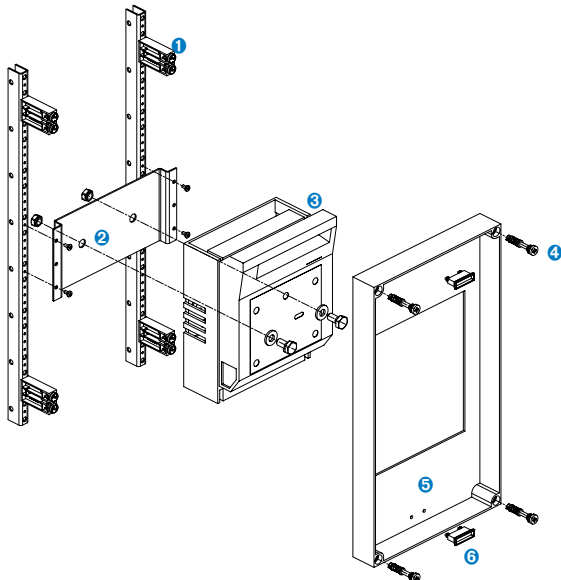


Fig. 1: Standard-section fitting-kits type EP with NH in-line fuse switch-disconnector mounted on a device carrier plate

- 1) Cover plate holder
- 2) Prepared device carrier plate
- 3) NH fuse load disconnecter
- 4) Quick fastener
- 5) Cover plate
- 6) Handle

Set-up and mounting of the fusebox on the busbar system

With fuseboxes in horizontal and vertical design, the busbar supports are fixed directly and immediately or between two vertical system support rails (type EPTV). The 20x5 mm copper current rails are positioned from the front and fixed on the upper part of the support.

The 3-pole busbar-mounting fuse bases are placed on these copper current rails from the front and locked in place with a fastening screw.

The individual strip covers can only be removed after the central electric shock protection cover has been taken off.

The electric shock protection and switchgear covers comprise the captive snap-on tool-type quick closures for quick fastening.

“Manual opening” is impossible.

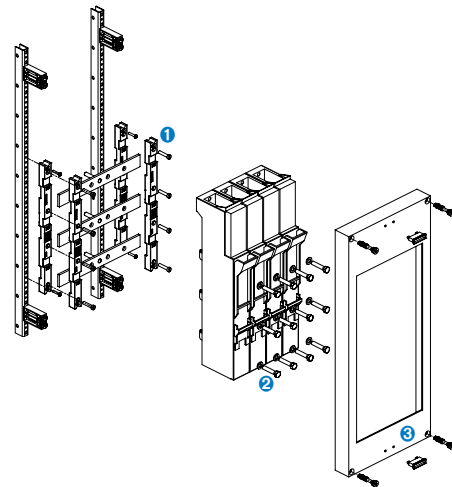


Fig. 2: Standard-section fitting-kits with NH in-line fuse switch-disconnector, 3 poles, vertically mounted on the busbar support. Center-to-center distance between the phases is 100 mm, with Cu busbar system 30x5 or 30x10 mm

- 1) Special rail support
- 2) Terminals
- 3) Cover plate

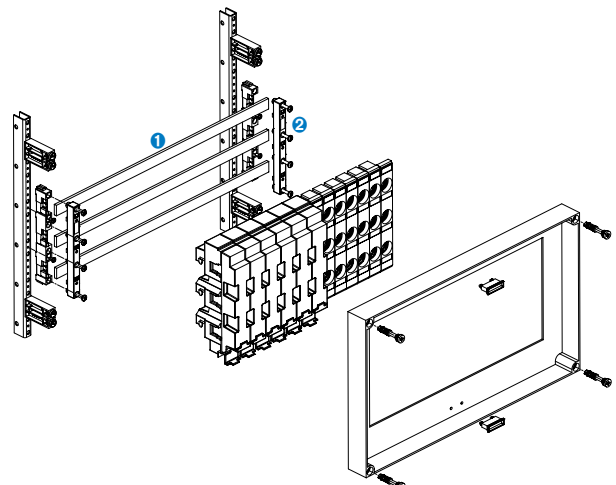


Fig. 3: Busbar-mounted D fuse base, 3 poles, mounted on busbar support. Center-to-center distance between the phases is 60 mm, with Cu busbar system 20x5 or 30x10 mm

- 1) Busbar system
- 2) Rail support

Material: Polystyrene, shock-resistant, self-extinguishing

Colour: RAL9002 (grey-white)

The snap-on handles as a mounting aid are also included in the scope of delivery.

Self-adhesive transparent pockets for frontal placement of labelling strips at a later point in time can be provided as an option.

wa_v01318, v07115, v110319



Distribution Boards

Distribution Boards

- **Chapter 0**
Table of ContentsPage 1
- **Chapter 1**
Field distribution boards protection class IIPage 2
1.1 Surface-mounted field distribution board EWK-G., IP31.....Page 3
- **Chapter 2**
Enclosures / switchgear cabinets for installation system EPPage 6
2.1 Surface-mounted distribution board BP-O-...-EP-W, IP31Page 8
2.2 Surface-mounted distribution board BPM-O-...-EP, IP55Page 12
2.3 Floor-standing distribution board BPM-F-...-EP, IP55Page 17
- **Chapter 3**
EP installation system - standard modules / mounting kitsPage 22
3.1 EP installation system - standard modules / Fitting-kits, Width 250 mmPage 24
3.2 EP installation system - standard modules / Fitting-kits, Width 500 mmPage 28
3.3 EP installation system - standard modules / Fitting-kits, Width 750 mmPage 32
3.4 EP installation system - standard modules / Fitting-kits, Technical dataPage 34
- **Chapter 4**
EP installation system - general accessoriesPage 41
- **Chapter 5**
Enclosures / switchgear cabinets for installation system Profi+Page 54
5.1 Surface-mounted distribution board BP-O-..., IP30 (pre-assembled)Page 56
5.2 Surface-mounted distribution board BP-O-..., IP30 (flat-pack, grey)Page 60
5.3 Surface-mounted distribution board BP-O-..., IP30 (flat-pack, white)Page 64
5.4 Surface-mounted distribution board BPM-O-..., IP55Page 87
5.5 Flush-mounted distribution board BP(A/M)-U-3S-..., IP30/IP43/IP54Page 97
5.6 Floor-standing distribution board BP-F-..., IP30Page 111
5.7 Distribution boards for special applications, BP-MN / BP-VFPage 122
5.8 Floor-standing distribution board BPM-F-..., IP55Page 127
5.9 Shared compartments inside distribution boards BP(M)-O, BP(M)-F.....Page 139
- **Chapter 6**
Profi+ installation system - components for interior fittingPage 144
6.1 Front plates, blind and with 45mm cut-out for DIN-rail devicesPage 146
6.2 Mounting kits for Moulded Case Circuit BreakerPage 154
6.3 Mounting kits for Fuse Switch Disconnectors.....Page 172
6.4 Mounting kits for BZM, Dumeco and QSAPage 178
6.5 Mounting kits for Earthing and Neutral conductorsPage 179
6.6 Mounting plates for universal fixing of different componentsPage 182
6.7 Mounting kits for Energy Meters and various metering equipmentPage 190
- **Chapter 7**
Profi+ installation system - general accessoriesPage 197
- **Chapter 8**
General accessories xEnergy BasicPage 218
- **Chapter 9**
Overall technical data xEnergy BasicPage 238
- **Chapter 10**
Verification of temperature rise by testing - selection of reference examplesPage 243

Width x Height (mm)	Description	Type Designation	Article No.	Units per package
---------------------	-------------	------------------	-------------	-------------------

Meter Carrier Plate

- To accommodate intra-company meter equipment for AC and three-phase current
- Installation depth for meters - max. 175 mm



250 x 450	single	EP23Z1-ZBR	193690	1
250 x 750	double	EP25Z2-ZBR	193691	1

Mounting Plate

- Can be used in connection with universal drop-down brackets
- Material: Sheet steel 2.0 mm, galvanized
- Incorporation of energy meter modules is possible as of EPMP51
- Incorporation of terminal boxes is possible



204 x 115		EPMP21	143987	1
204 x 240		EPMP22	143988	1
204 x 240		EPMP22	143988	1
454 x 115		EPMP51	143990	1
454 x 240		EPMP52	143991	1
454 x 390		EPMP53	143992	1

Height (mm)	Cabinet Type	Type Designation	Article No.	Units per package
-------------	--------------	------------------	-------------	-------------------

Vertical Profile, Square Hole Pattern 9.5 x 9.5 mm included

- Left and right vertical profile to accommodate EP modules
- Also suitable for interior set-up, if the entire section height is used or if subdivisions are incorporated, you need to use EPTV....
- For cabinet types BPM-F, xE Light



1765	BPM-F, xE Light	EPTV1800A-XVTL	143797	1
1915	BPM-F	EPTV1950A-BP	143850	1

Support Rail Vertical, Square Hole Pattern 9.5 x 9.5 mm included

- For vertical interior set-up in cabinet types BP-O, BPM-O, BPM-F, xE Light
- To accommodate EP modules



65		EPTV65	143837	1
115		EPTV150	143838	1
265		EPTV300	143839	1
415		EPTV450	143840	1
565		EPTV600	143841	1
715		EPTV750	143842	1
865		EPTV900	143843	1
1015		EPTV1050	143844	1
1165		EPTV1200	143845	1
1315		EPTV1350	143846	1
1465		EPTV1500	143847	1
1615		EPTV1650	143848	1
1765		EPTV1800	143849	1

Depth (mm)	Cabinet Type	Type Designation	Article No.	Units per package
------------	--------------	------------------	-------------	-------------------

Support Rail Horizontal, Square Hole Pattern 9.5 x 9.5 mm included

- For horizontal interior set-up in cabinet types BP(M)-O, BPM-F, xE Main / Light
- With holes for mounting the devices, mounting rails and assembly groups

vi07710



215		EPTH250	143851	1
465		EPTH500	143852	1
715		EPTH750	143853	1
965		EPTH1000	143854	1
1215		EPTH1250	143855	1

Support Rail Horizontal, Double Version

- For horizontal interior set-up in cabinet types BP(M)-O, BPM-F, xE Main / Light
- With holes for mounting the devices, mounting rails and assembly groups

vi07610



465		EPTH500D	143856	1
715		EPTH750D	143857	1
965		EPTH1000D	143858	1
965		EPTH1000D	143858	1

Depth Support Rail

- For mounting cabinet connectors or fitting bracket types WEQV, WMPO, XVTL-EW

vi08010



300	xE Light	XVTL-TT300	143825	1
400	xE Light	XVTL-TT400	143826	1
500	xE Light	XVTL-TT500	143827	1
600	xE Main / Light	XVTL-TT600	143828	1
800	xE Main / Light	XVTL-TT800	143829	1

Depth Fitting Kit

- For fixing the vertical and horizontal support rail types EPTV and EPTH
- Fastening material included
- 1 package = 2 units
- Depth support rail and cabinet connector

vi08210



300	xE Light	XVTL-TE300	143798	1
400	xE Light	XVTL-TE400	143799	1
500	xE Light	XVTL-TE500	143820	1
600	xE Main / Light	XVTL-TE600	143821	1
800	xE Main / Light	XVTL-TE800	143822	1

Depth (mm)	Cabinet Type	Type Designation	Article No.	Units per package
------------	--------------	------------------	-------------	-------------------

Cabinet Connector

- Fixed on depth support rails for mounting the vertical and horizontal support rail types EPTV and EPTH

vt08410



	xE Main / Light	XVTL-SV	143834	1
	xE Main / Light width 425 mm	XVTL-SV425	143836	1

Support Rail Bracket

- For mounting the vertical support rail type EPTV
- Fastening material included
- 1 package = 2 units

vt08710



250/400	BPM-F	BPZ-TW	143864	1
250/270	BP-O/BPM-O			

Add-on connection kit

- For a proper arrangement (side-by-side) of two or more cabinets taking into account of degree of protection
- Screws, washers and sealing tape included
- 1 set is needed for each connection

vt05018, vt05118



400	BPM-F	BPZ-AC55-F	193653	1
250/270	BP-O/BPM-O	BPZ-AC55-O	193654	1

Description	Type Designation	Article No.	Units per package
-------------	------------------	-------------	-------------------

Support Rail Connector

- For fixing the vertical and horizontal support rails
 Type EPTV (4 fixing screws included in the Delivered as)
 Type EPTV-E (no fixing screws included in the Delivered as)

vt08510



	EPTV	143860	1
	EPTV-E	143861	1

Support Bracket Connector, Half Version

- For fixing the vertical and horizontal support rails
 Type EPTV05 (2 fixing screws included in the Delivered as)
 Type EPTV05-E (no fixing screws included in the Delivered as)

vt08610



	EPTV05	143862	1
	EPTV05-E	143863	1

Universal Bracket

- For fixing horizontal support elements

vt08910



	WEQV	143993	10
--	------	--------	----

Special Bracket

- For fixing horizontal support elements

vt09010



	WMPO	143994	10
--	------	--------	----

Description	Type Designation	Article No.	Units per package
-------------	------------------	-------------	-------------------

Drop-down Shackle for Support Rails and Mounting Plates

- For reducing the mounting level in steps of 12 mm down to a max. of 60 mm from the top edge of the system support rail
- Fastening material included
- 1 package = 2 units

vt11010



EPAB-TSMP

143985

1

Fixing bracket for distribution busbar BPZ-KB-xx/250

- Horizontal arrangement of the distribution busbar, supply from top/bottom via connection lugs
- Especially designed to fit between two DIN-rails of 150 mm distance
- 1 package = 2 units

vt04718, vt04818



compatible with BPZ-KB-12/250, distance between EPTV 250 mm

EPBR-KB12

193688

1

compatible with BPZ-KB-24/250, distance between EPTV 500 mm

EPBR-KB24

193689

1

Fitting Bracket

- For fixing support elements such as EPTV support rails or horizontal type EPTH support rails
- As double and EPTH type

vt08810



XVTL-EW

143995

10

Cover Plate Holder, as Double Tower, Standard Version

- Double tower version with fixing screw
- For fixing the electric shock protection cover plate

vt10710



APH

143981

20

Cover Plate Holder, as Double Tower, High Version

- Double tower version with fixing screw
- 7.5 mm higher allowing to use the 15 mm high support rails (type EPTS15)
- For fixing the electric shock protection cover plate

vt10610



APHL

143982

10

Description	Height (mm)	Type Designation	Article No.	Units per package
-------------	-------------	------------------	-------------	-------------------

Cover Plate Holder, Half, Standard Version

- Single tower version with fixing screw
- For fixing the electric shock protection cover plate
- For use in the 4 cabinet corners

vt10910



		APH05	143983	20
--	--	-------	--------	----

Cover Plate Holder, Half, High Version

- Single tower version with fixing screw
- 7.5 mm higher to allow using the 15 mm high support rails (type EPTS15)
- For fixing the electric shock protection cover plate
- For use in the 4 cabinet corners

vt10810



		APHL05	143984	10
--	--	--------	--------	----

Insulation Piece

- For insulated mounting of DIN support rails on the support framework
- Screws included
- 1 package = 2 units

vt157016



		UI-TS	144022	1
--	--	-------	--------	---

Raising Bracket for Support Rail

- For increasing the mounting level by 40 mm from the top edge of the system support rail type EPTH
- Fastening material included
- 1 package = 2 units

vt10210



For DIN Support	35 x 7,5 mm	EPAW-TS	143986	1
Rail	35 x 15 mm	EPAW-TS15	172759	1

Spacer Pins

- For the set-up of DIN support rails and cable strain relief rails on a higher level
- Hexagonal shape, thread M4

vt10410



	35	AB30	144023	1
	55	AB60	144024	1

Description	Length (mm)	Type Designation	Article No.	Units per package
-------------	-------------	------------------	-------------	-------------------

Tool-type Quick-acting Closure Handle

- Set of 4 units of tool-type quick-acting closures and 2 handles

vt10010



APZB

144025

1

Tool-type Quick-acting Closure with Sealing Cap

- For diagonal sealing of a cover plate
- 1 package = 2 units

vt10110



APWSVP

144026

1

M4 Insertable Anchor

- M4 x 16 mm screw type EPLHS-M4X16 is included
- 1 package = 4 units

vt10310



EPGE4

144027

1

Support Rail 35 x 7.5 mm, Square Hole Pattern 9.5 x 9.5 mm included

- Similar to DIN EN 60715, used as a support rail for block terminals and installation built-in devices for snap-on fixing

vt07310



250

EPTS7-0250

143996

1

500

EPTS7-0500

143997

1

750

EPTS7-0750

143998

1

1000

EPTS7-1000

143999

1

1250

EPTS7-1250

144000

1

Support Rail 35 x 15 mm, Square Hole Pattern 9.5 x 9.5 mm included

- Similar to DIN EN 60715, used as a support rail for block terminals and installation built-in devices for snap-on fixing

vt07310



250

EPTS15-0250

144001

1

500

EPTS15-0500

144002

1

750

EPTS15-0750

144003

1

1000

EPTS15-1000

144004

1

1250

EPTS15-1250

144005

1

Cable Interconnect Shackle

- For flexible and orderly guidance of cables and conductors

vt09310



35 x 75

UKBUE35.75

144013

50

65 x 185

UKBUE65.185

144014

20

Description	Width x Depth (mm)	Type Designation	Article No.	Units per package
-------------	--------------------	------------------	-------------	-------------------

Cable routing shackle

- Used for square hole pattern 9.5 x 9.5 mm

vt09410, vt04918



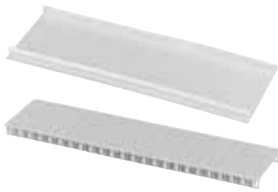
	35 x 75	EPCL095-75x75	193687	10
--	---------	---------------	--------	----

Description	Length (mm)	Type Designation	Article No.	Units per package
-------------	-------------	------------------	-------------	-------------------

Blanking Strips

- To cover 45 mm non-equipped space units
- Grid pattern 9 mm

wa_vt07313, vt113414



closed, white	1000	NBP-1000-W	275413	1
gray, rough-ribbed, 12 MU	216	BS-12MB-GY	178979	10/100

For use with	Width x Height (mm)	Type Designation	Article No.	Units per package
--------------	---------------------	------------------	-------------	-------------------

Blanking Strips, 60 mm system

- To blank off unused spaces
- RAL 7035
- Detachable in increments of 9 mm

vt00219



EPxxGRC... EPxxGRT... EPxxXNH00...	56 x 198	BS-S60-CI/EP	194590	10
--	----------	--------------	--------	----

Blanking Strips, 100 mm system

- Material: PVC 2.5 mm
- RAL 7035

vt00219 Symbolphoto



EPxxGTLx00-OG	50 x 429	EPCOVER50-P100-JM	155453	1
EPxxGTLx00-OG	100 x 429	EPCOVER100-P100-JM	155454	1

Blanking Strips, 185 mm system

- Material: PVC 2.5 mm
- RAL 7035

vt00219 Symbolphoto



EPxxGTLx-OG	50 x 666	EPCOVER50-P185-JM	155457	1
EPxxGTLx-OG	100 x 666	EPCOVER100-P185-JM	155458	1

Depth (mm)	Cabinet Type	Depth x Height (mm) Cover strip	Type Designation	Article No.	Units per package
------------	--------------	------------------------------------	---------------------	-------------	----------------------

Labelling Strips in Transparent Pocket

- Labelling strips can be placed retro-actively
- Self-adhesive
- 1 package = 10 units

wa_vt14413



		1000	LAB -BAR_1000	107911	1
			LAB_TAPE_A4_BLANK	107952	1

Partition, Vertical and Horizontal

- Material: Plastic

vt11710



250	BP-O/BPM-F	135 x 1920	BPZ-SCH202	144015	1
270/300	BPM-O/xE Light	150 x 1850	XVTL-SCH203	144016	1
400	BPM-F/xE Light	250 x 1850	XVTL-SCH204	144017	1
600	xE Light	450 x 1850	XVTL-SCH206	144019	1

Rated Current (A)		Dimension Cu (mm)	Type Designation	Article No.	Units per package
-------------------	--	-------------------	---------------------	-------------	----------------------

Busbar Support 60 mm up to 630 A

- Busbar system for mounting behind a cover as of a height of 300 mm
- Center-to-center distance between phases 60 mm
- Expandable to 4- and 5 poles
- Rated conditional short-circuit current up to 85 kA Ipk / 40,5 kA Icw with Cu 1 x 30 x 10 mm, 630 A
Details see technical part.

vt09610



250 - 630		12x5 - 30x10	SL63031	148582	1
315 - 630		20x5 - 30x10	SL63032	148583	1
630		30x10	SL63033	148584	1

Busbar Support PE/N

- Busbar Support 1 pole , for mounting behind a cover of a height of 150 mm
- Expandable to 2 poles
- Busbar Support 2 poles , for mounting behind a cover of a height of 300 mm

vt09710



250 - 630		12x5 - 30x10	SLPEN63011	148585	1
315 - 630		20x5 - 30x10	SLPEN63012	148586	1
630		30x10	SLPEN63013	148587	1

PE/N Support Offset

- For easier connecting of incoming and outgoing cables and conductors

vt09910



			SLPEN630U	148588	1
--	--	--	-----------	--------	---

Description	Number of Poles	Type Designation	Article No.	Units per package
-------------	-----------------	------------------	-------------	-------------------

End Cover of Busbar

- For side covering of busbar 12x5 to 30x10 (250 - 630 A)



3 poles	3 poles	SL630EA	148589	1
---------	---------	---------	--------	---

Description	Dimension (mm)	Type Designation	Article No.	Units per package
-------------	----------------	------------------	-------------	-------------------

Assembly Group for Door Wiring

- Outgoing PG21 with plastic tube 450 mm long
- Mounting material included
- Without cover plate

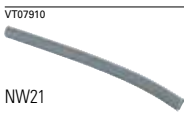


Tube connector (straight) incl. counter nut		SEM21	143964	1
--	--	-------	--------	---

Tube connector (angled) incl. counter nut		SEM/W21	143962	1
--	--	---------	--------	---

SEM21 SEM/W21

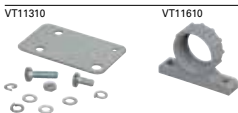
Corrugated tube (cable protection)		NW21	143963	1
------------------------------------	--	------	--------	---



Tube holder		UKH	143961	1
-------------	--	-----	--------	---

NW21

Mounting kit		MSWT	143966	1
--------------	--	------	--------	---



MSWT

UKH

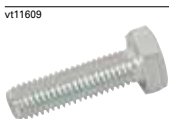
Replacement Screws

- 1 package = 100 units



Pan head screw TX20 self-tapping	M4x8	EPLHS-M4X8	144028	1
----------------------------------	------	------------	--------	---

	M4x16	EPLHS-M4X16	141863	1
--	-------	-------------	--------	---



Hexagon screw	M8x16	EPHHS-M8X16	144030	1
---------------	-------	-------------	--------	---

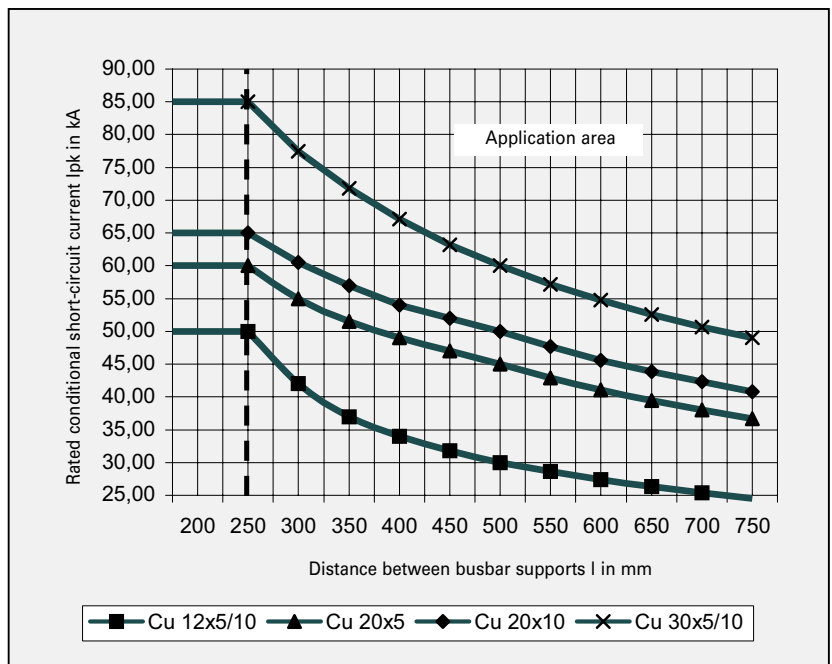
Technical data Busbar-system, spacing between busbars 60 mm

Busbar-system up to 630 A

Illustration	Designation/type	Type / Order.-No.				
Rail support, 3-pole for height of cover plate 300 mm						
		Width of system	Rated conditional short-circuit current at distance between support 250 mm	Module units		
		No. of supports	surge current short-time current			
			I_{pk} I_{cw}	U		
	315 A	250 mm / 2 pcs.	60 kA	28.6 kA / 0.30s	24	SL63031
	Cu 1 x 20 x 5 mm	500 mm / 3 pcs.	60 kA	28.6 kA / 0.30s	48	No.148582
	3-poles	750 mm / 4 pcs.	60 kA	28.6 kA / 0.30s	72	
	4-poles	1000 mm / 5 pcs.	60 kA	28.6 kA / 0.30s	96	
	5-poles	1250 mm / 6 pcs.	60 kA	28.6 kA / 0.30s	120	
	400 A	250 mm / 2 pcs.	85 kA	40.5 kA / 0.30s	24	SL63032
	Cu 1 x 30 x 5 mm	500 mm / 3 pcs.	85 kA	40.5 kA / 0.30s	48	No.148583
	3-poles	750 mm / 4 pcs.	85 kA	40.5 kA / 0.30s	72	
	4-poles	1000 mm / 5 pcs.	85 kA	40.5 kA / 0.30s	96	
	5-poles	1250 mm / 6 pcs.	85 kA	40.5 kA / 0.30s	120	
	630 A	250 mm / 2 pcs.	85 kA	40.5 kA / 0.50s	24	SL63033
	Cu 1 x 30 x 10 mm	500 mm / 3 pcs.	85 kA	40.5 kA / 0.50s	48	No.148584
3-poles	750 mm / 4 pcs.	85 kA	40.5 kA / 0.50s	72		
4-poles	1000 mm / 5 pcs.	85 kA	40.5 kA / 0.50s	96		
5-poles	1250 mm / 6 pcs.	85 kA	40.5 kA / 0.50s	120		


Busbar support, 3-/5-poles height of cover plate 300 mm

Illustration	Designation/type
Surge current resistance depending on distance between busbar supports	
	250 A
	Cu 1 x 12 x 5 mm
	315 A
	Cu 1 x 20 x 5 mm
	355 A
	Cu 2 x 12 x 5 mm
	400 A
	Cu 1 x 30 x 5 mm
	500 A
	Cu 1 x 20 x 10 mm
	630 A
	Cu 1 x 30 x 10 mm




Technical data Busbar-system, spacing between busbars 100 mm

Busbar-system up to 630 A

Illustration	Designation/type	Type / Order.-No.		
	Rail support, 3-pole for height of cover plate 450 mm			
	Rated current	Rated conditional short-circuit current at distance between support 500 mm		
		surge current	short-time current	
		I_{pk}	I_{cw}	
	315 A	21.0 kA	10.0 kA / 1s	TN630/3-R10
	Cu 1 x 20 x 5 mm			No.148590
	400 A	32.0 kA	15.0 kA / 1s	
Cu 1 x 30 x 5 mm				
500 A	42.0 kA	20.0 kA / 1s		
Cu 1 x 20 x 10 mm				
630 A	63.0 kA	30.0 kA / 1s		
Cu 1 x 30 x 10 mm				

Technical data Busbar-system, spacing between busbars 185 mm

Busbar-system up to 2000 A

Illustration	Designation/type	Type / Order.-No.		
	Rail support, 3-pole for height of cover plate 750 mm			
	Rated current	Rated conditional short-circuit current at distance between support 1000 mm		
		surge current	short-time current	
		I_{pk}	I_{cw}	
	800 A	64.0 kA	30.5 kA / 1s	T2000/3-R185VT
	Cu 1 x 40 x 10 mm			No.148591
	1000 A	81.0 kA	38.5 kA / 1s	
	Cu 1 x 50 x 10 mm			
1250 A	81.0 kA	38.5 kA / 1s		
Cu 1 x 60 x 10 mm				
1500 A	81.0 kA	38.5 kA / 1s		
Cu 1 x 80 x 10 mm				
2000 A	81.0 kA	38.5 kA / 1s		
Cu 1 x 100 x 10 mm				

wa_v01318, v07115, v10319



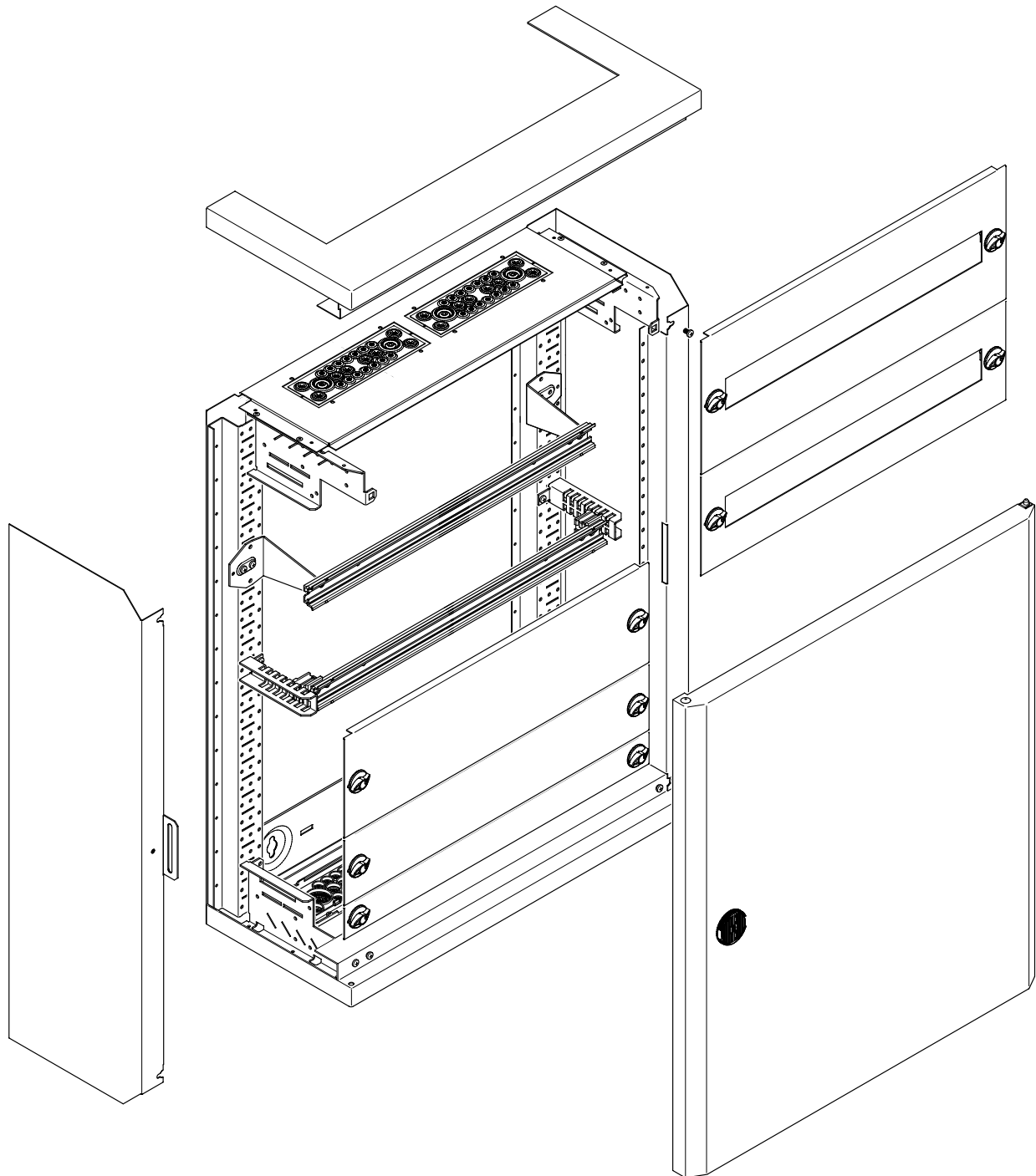
Distribution Boards

Distribution Boards

• Chapter 0	
Table of Contents	Page 1
• Chapter 1	
Field distribution boards protection class II	Page 2
1.1 Surface-mounted field distribution board EWK-G., IP31	Page 3
• Chapter 2	
Enclosures / switchgear cabinets for installation system EP	Page 6
2.1 Surface-mounted distribution board BP-O-....-EP-W, IP31	Page 8
2.2 Surface-mounted distribution board BPM-O-....-EP, IP55	Page 12
2.3 Floor-standing distribution board BPM-F-....-EP, IP55	Page 17
• Chapter 3	
EP installation system - standard modules / mounting kits	Page 22
3.1 EP installation system - standard modules / Fitting-kits, Width 250 mm	Page 24
3.2 EP installation system - standard modules / Fitting-kits, Width 500 mm	Page 28
3.3 EP installation system - standard modules / Fitting-kits, Width 750 mm	Page 32
3.4 EP installation system - standard modules / Fitting-kits, Technical data	Page 34
• Chapter 4	
EP installation system - general accessories	Page 41
• Chapter 5	
Enclosures / switchgear cabinets for installation system Profi+	Page 54
5.1 Surface-mounted distribution board BP-O-...., IP30 (pre-assembled)	Page 56
5.2 Surface-mounted distribution board BP-O-...., IP30 (flat-pack, grey)	Page 60
5.3 Surface-mounted distribution board BP-O-...., IP30 (flat-pack, white)	Page 64
5.4 Surface-mounted distribution board BPM-O-...., IP55	Page 87
5.5 Flush-mounted distribution board BP(A/M)-U-3S-...., IP30/IP43/IP54	Page 97
5.6 Floor-standing distribution board BP-F-...., IP30	Page 111
5.7 Distribution boards for special applications, BP-MN / BP-VF	Page 122
5.8 Floor-standing distribution board BPM-F-...., IP55	Page 127
5.9 Shared compartments inside distribution boards BP(M)-O, BP(M)-F	Page 139
• Chapter 6	
Profi+ installation system - components for interior fitting	Page 144
6.1 Front plates, blind and with 45mm cut-out for DIN-rail devices	Page 146
6.2 Mounting kits for Moulded Case Circuit Breaker	Page 154
6.3 Mounting kits for Fuse Switch Disconnectors	Page 172
6.4 Mounting kits for BZM, Dumeco and QSA	Page 178
6.5 Mounting kits for Earthing and Neutral conductors	Page 179
6.6 Mounting plates for universal fixing of different components	Page 182
6.7 Mounting kits for Energy Meters and various metering equipment	Page 190
• Chapter 7	
Profi+ installation system - general accessories	Page 197
• Chapter 8	
General accessories xEnergy Basic	Page 218
• Chapter 9	
Overall technical data xEnergy Basic	Page 238
• Chapter 10	
Verification of temperature rise by testing - selection of reference examples	Page 243

System Overview

BP-0-..., IP30 (IP31), enclosure depth 262 mm



5.1

xEnergy Distribution Boards

Surface-mounted distribution board BP-O-..., IP30 (pre-assembled)

vi27717



wa_vt07813



wa_vt07813



vi27517



Width [mm]	Height [mm]	Height int. [mm]	Pre-assembled configuration / installation back frame / incl. 2K-flange on top / Door with rotary handle	Pre-assembled configuration / Prepared for MSW installation incl. 2K-flange on top / Door with rotary handle
			RAL 7035 grey Fully equipped with mounting insert	RAL 9016 white Fully equipped with mounting insert
			Article No. per unit unit = 1 pc.	Article No. per unit unit = 1 pc.

BP-O-..., IP30 - fully assembled

400 (13MU/row)	460	350	BP-O-400/4-C 194518	BP-O-400/4-C-W 194522	BP-O-400/4 100959
	760	650	BP-O-400/7-C 194519	BP-O-400/7-C-W 194523	BP-O-400/7 100960
	1060	950	BP-O-400/10-C 194520	BP-O-400/10-C-W 194524	BP-O-400/10 100961
	1260	1150	BP-O-400/12-C 194521	BP-O-400/12-C-W 194515	BP-O-400/12 100962
	1560	1450	-	-	-
600 (24MU/row)	460	350	-	-	BP-O-600/4 100963
	760	650	BP-O-600/7-C 293307	BP-O-600/7-C-W 105534	BP-O-600/7 100964
	1060	950	BP-O-600/10-C 293308	BP-O-600/10-C-W 105535	BP-O-600/10 100965
	1260	1150	BP-O-600/12-C 293309	BP-O-600/12-C-W 105536	BP-O-600/12 100966
	1560	1450	BP-O-600/15-C 293310	BP-O-600/15-C-W 105537	BP-O-600/15 100967
800 (35MU/row)	460	350	-	-	-
	760	650	BP-O-800/7-C 293311	BP-O-800/7-C-W 105538	BP-O-800/7 100968
	1060	950	BP-O-800/10-C 293312	BP-O-800/10-C-W 105539	BP-O-800/10 100969
	1260	1150	BP-O-800/12-C 293313	BP-O-800/12-C-W 105540	BP-O-800/12 100970
	1560	1450	BP-O-800/15-C 293314	BP-O-800/15-C-W 105541	BP-O-800/15 100971
1000 (46MU/row)	1060	950	-	-	BP-O-1000/10 100972
	1260	1150	-	-	BP-O-1000/12 100973
	1560	1450	-	-	BP-O-1000/15 100974
1200 (57MU/row)	1260	1150	-	-	BP-O-1200/12 100975
	1560	1450	-	-	BP-O-1200/15 100976

Surface-mounted distribution board BP-O-..., IP30 (pre-assembled)

vt27517



vt27617



wa_vt23813



wa_vt23713



Pre-assembled configuration /
Prepared for MSW installation
incl. 2K-flange on top /
Door with rotary handle

Pre-assembled configuration
installation back frame /
Prepared for F3A-flange on top /
Door with clip-down handle

Welded construction installation back frame completely closed /
Door with BPZ-LOCK/SH6METAL

RAL 7035 grey
Empty

RAL 7035 grey
Empty

RAL 7035 grey
Empty fire-resistant (E60/EW60)

RAL 9016 white
Empty fire-resistant (E60/EW60)

Article No.
per unit
unit = 1 pc.

Article No.
per unit
unit = 1 pc.

Article No.
per unit
unit = 1 pc.

Article No.
per unit
unit = 1 pc.

BP-O-400/4-MSW 149116	BP-O-400/4-P-F3A 187820	BP-O-400/4-EW 116614	BP-O-400/4-EW-W 116632
BP-O-400/7-MSW 149117	BP-O-400/7-P-F3A 187821	BP-O-400/7-EW 116615	BP-O-400/7-EW-W 116633
BP-O-400/10-MSW 149118	BP-O-400/10-P-F3A 187822	BP-O-400/10-EW 116616	BP-O-400/10-EW-W 116634
BP-O-400/12-MSW 149119	BP-O-400/12-P-F3A 187823	BP-O-400/12-EW 116617	BP-O-400/12-EW-W 116635
BP-O-400/15-MSW 149150	BP-O-400/15-P-F3A 187824	BP-O-400/15-EW 116618	BP-O-400/15-EW-W 116636
BP-O-600/4-MSW 149151	BP-O-600/4-P-F3A 187825	BP-O-600/4-EW 116619	BP-O-600/4-EW-W 116637
BP-O-600/7-MSW 149152	BP-O-600/7-P-F3A 187826	BP-O-600/7-EW 116620	BP-O-600/7-EW-W 116638
BP-O-600/10-MSW 149153	BP-O-600/10-P-F3A 187827	BP-O-600/10-EW 116621	BP-O-600/10-EW-W 116639
BP-O-600/12-MSW 149154	BP-O-600/12-P-F3A 187828	BP-O-600/12-EW 116622	BP-O-600/12-EW-W 116640
BP-O-600/15-MSW 149155	BP-O-600/15-P-F3A 187829	BP-O-600/15-EW 116623	BP-O-600/15-EW-W 116641
BP-O-800/4-MSW 149156	BP-O-800/4-P-F3A 187830	BP-O-800/4-EW 116624	BP-O-800/4-EW-W 116642
BP-O-800/7-MSW 149157	BP-O-800/7-P-F3A 187831	BP-O-800/7-EW 116625	BP-O-800/7-EW-W 116643
BP-O-800/10-MSW 149158	BP-O-800/10-P-F3A 187832	BP-O-800/10-EW 116626	BP-O-800/10-EW-W 116644
BP-O-800/12-MSW 149159	BP-O-800/12-P-F3A 187833	BP-O-800/12-EW 116627	BP-O-800/12-EW-W 116645
BP-O-800/15-MSW 149160	BP-O-800/15-P-F3A 187834	BP-O-800/15-EW 116628	BP-O-800/15-EW-W 116646
BP-O-1000/10-MSW 149161	BP-O-1000/10-P-F3A 187835	BP-O-1000/10-EW 116629	BP-O-1000/10-EW-W 116647
BP-O-1000/12-MSW 149162	BP-O-1000/12-P-F3A 187836	BP-O-1000/12-EW 116630	BP-O-1000/12-EW-W 116648
BP-O-1000/15-MSW 149163	BP-O-1000/15-P-F3A 187837	BP-O-1000/15-EW 116631	BP-O-1000/15-EW-W 116649
BP-O-1200/12-MSW 149164	BP-O-1200/12-P-F3A 187838	-	-
BP-O-1200/15-MSW 149165	BP-O-1200/15-P-F3A 187839	-	-

Description

BP-O-..., IP30 (IP31), enclosure depth 262 mm

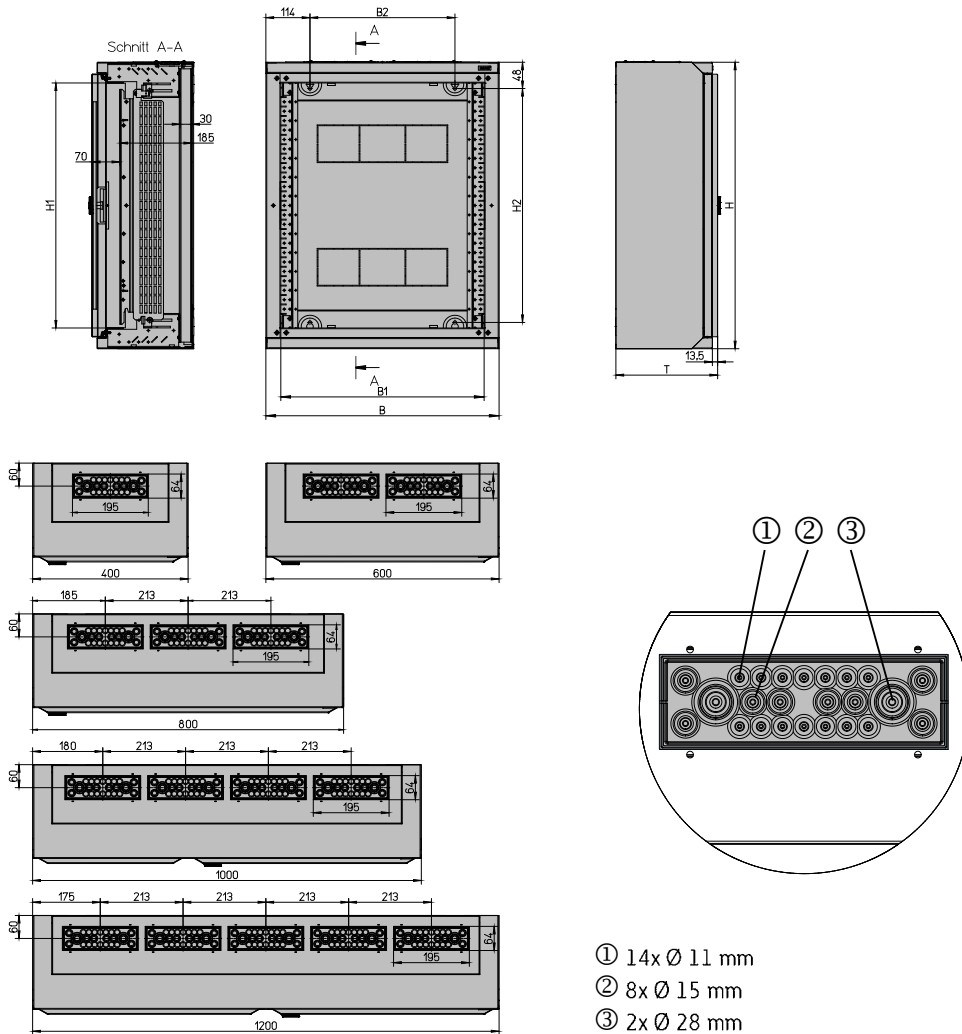
- Delivery as flat-pack or pre-assembled cabinet possible
- Degree of protection IP30
- Impact resistance IK08
- Protection class I (protective earth)
- Cable entry / flange plate individually configurable
- The enclosure can be rotated by 180°
- Quick and easy change of the hinge direction, door opening angle ~160°
- Standard plastic cam lock
- Direct wall mounting possible
- Enclosure made from powder-coated sheet steel, RAL 7035 / RAL 9016
- Lateral add-on connection as well as top/bottom arrangement possible
- Variable interior installation either with „Mounting base frame“ or „Mounting side panel“ (MSW)
- Better accessibility during assembly due to multi-layered construction (Base frame - cable entry - interior fitting - installation components - wiring - enclosed covering - door)

Technical data

BP-O-...	
Electrical	
Type conforms to	IEC/EN 62208
Protection class	I (protective earth)
Degree of protection	IP30 (closed version with door/flansche) IP31 (special top panels BP-TBP1-...-IP31 required) IP2XC (open door, the installation level is properly protected with front covers)
Impact resistance	IK08
Rated operational voltage	415 VAC / 50Hz
Rated current	Max. 630 A (depending on the type of incoming circuit breaker or the busbar system being used)
Earthing concept for the enclosure	
Main earthing	By means of self-tapping screw M5 on base frame
Door earthing	By means of M6 welding bolts
The permissible temperature increases for switchgear assemblies with a rated current of up to 630 A can be evaluated in accordance with section 10.10.4.2 of IEC/EN 61439-1.	
For the maximum permissible heat dissipation for all devices inside the distribution board at an ambient temperature of 35° C and ΔT of 20 K / 35 K at an enclosure height of 75 %, please refer to the table on enclosure dimensions; (calculation method acc.to IEC/TR 60890).	
Mechanical	
Enclosure	Modular design by „flat-pack“ construction possible, complete cabinets pre-assembled at the factory
Material	Sheet steel 1 mm, phosphated and polyester powder coated (structured) with corrosion protection
Colour	Traffic white, RAL 9016 / Light grey RAL 7035
Door	Hinges on the inside, door opening angle ~160° (in case of lateral alignment ~100°) Doors with transparent window individually configurable, hinged either left or right Three-point locking mechanism based on double-wing design width 1000 / 1200 mm
Type	Flexible interior fitting with installation units Profi+ on base frame or „mounting side panel“ (MSW) Mounting base frame: multi-layer construction, installation directly in the enclosure, robust and structured Mounting side panel (MSW): removable mounting insert, external installation, fast and reliable
Locking mechanism	Standard cam lock (plastic), can be exchanged for a metal lock with standard locking mechanism/two-way key bit or doors with rotary lever
Cable entry	Complete cabinets equipped with two-component membrane flanges on one side, in case of flat-pack individually configurable, either Closed cable entry / flange plate, with two-component flanges equipped or prepared for F3A-flanges
Ambient condition	Indoor installation (wall mounting) Max. ambient temperature +40° C Min. ambient temperature -5° C
Halogen-free, RoHS	< 1%, yes
Accessories	A 100/200 mm base if used as a floor-standing cabinet, alternative lock options, add-on connection kit
Delivered as	Flat-pack components as well as complete cabinet prepared for „Mounting base frame“ or „MSW“ Complete cabinets of type BP-O-...-C are already equipped with a standard mounting insert

Dimensions (mm)

BP-O-..., IP30 (IP31), enclosure depth 262 mm



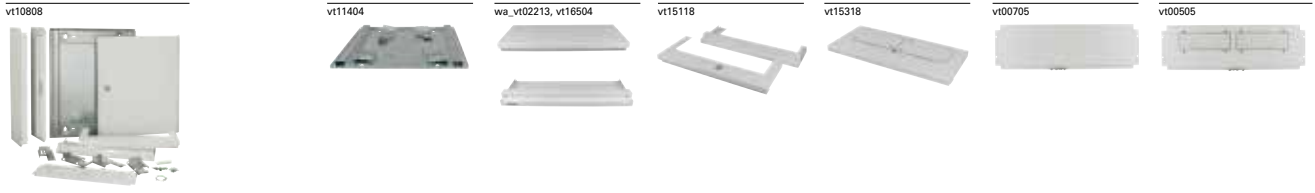
- ① 14x Ø 11 mm
- ② 8x Ø 15 mm
- ③ 2x Ø 28 mm

Type	Overall dimensions			Internal dimensions (front plate)		Wall mounting (Enclosure directly)		Pv [W] (ΔT 20K)	Pv [W] (ΔT 35K)
	Width B	Height H	Depth T	Width B1	Height H1	Width B2	Height H2		
BP-O-400/4	400	460	262	320	350	173	342	39	78
BP-O-400/7	400	760	262	320	650	173	642	54	108
BP-O-400/10	400	1060	262	320	950	173	942	69	138
BP-O-400/12	400	1260	262	320	1150	173	1142	57	115
BP-O-400/15	400	1560	262	320	1450	173	1442	66	132
BP-O-600/4	600	460	262	520	350	373	342	53	107
BP-O-600/7	600	760	262	520	650	373	642	70	141
BP-O-600/10	600	1060	262	520	950	373	942	70	140
BP-O-600/12	600	1260	262	520	1150	373	1142	80	161
BP-O-600/15	600	1560	262	520	1450	373	1442	108	216
BP-O-800/4	800	460	262	720	350	573	342	68	136
BP-O-800/7	800	760	262	720	650	573	642	75	151
BP-O-800/10	800	1060	262	720	950	573	942	95	191
BP-O-800/12	800	1260	262	720	1150	573	1142	120	240
BP-O-800/15	800	1560	262	720	1450	573	1442	139	278
BP-O-1000/10	1000	1060	262	920	950	773	942	134	268
BP-O-1000/12	1000	1260	262	920	1150	773	1142	149	298
BP-O-1000/15	1000	1560	262	920	1450	773	1442	183	366
BP-O-1200/12	1200	1260	262	1120	1150	973	1142	187	375
BP-O-1200/15	1200	1560	262	1120	1450	973	1442	213	427

5.2

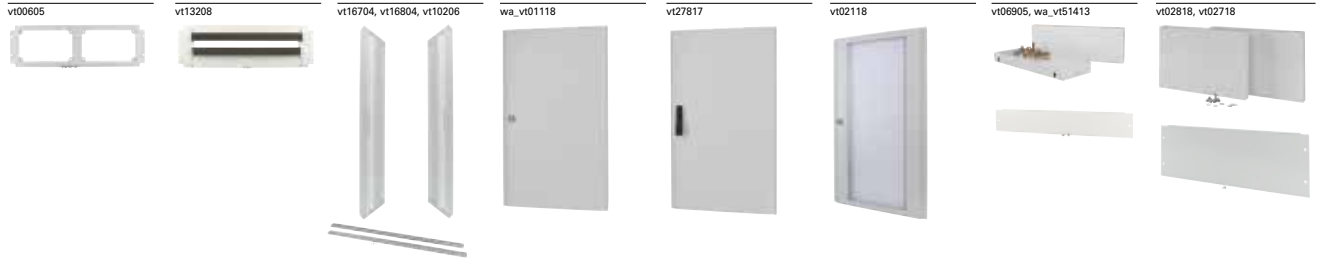
xEnergy Distribution Boards

Surface-mounted distribution board BP-O-..., IP30 (flat-pack, grey)



Width [mm]	Height [mm]	Height int. [mm]	Main frame	Top/bottom panels closed without cutout / 1 pair / Single element	Top/bottom panels with cutout for cable entry / Flange plate / 1 pair / Single element	Top panel IP31 (closed) incl. F3A-XP	Cable entry / Flange plate / Closed	Cable entry / Flange plate incl. 2K-flange
			Article No. per unit unit = 1 pc.	Article No. per unit unit = 1 pc.	Article No. per unit unit = 1 pc.	Article No. per unit unit = 1 pc.	Article No. per unit unit = 1 pc.	Article No. per unit unit = 1 pc.
BP-O-..., IP30 (installation back frame) GREY								
400 (13MU/row)	460	350	BP-MF-400/4 286653	BP-TBP-400-BL 286698	BP-TBP-400-CE 286699	BP-TBP1-400-F3A-IP31 194526	BP-FLP-400-BL 286704	BP-FLP-400-2K 286705
	760	650	BP-MF-400/7 286654	BP-TBP1-400-BL 144689	BP-TBP1-400-CE 144704			
	1060	950	BP-MF-400/10 286655					
	1260	1150	BP-MF-400/12 286656					
	1560	1450	BP-MF-400/15 286657					
600 (24MU/row)	460	350	BP-MF-600/4 286658	BP-TBP-600-BL 286700	BP-TBP-600-CE 286701	BP-TBP1-600-F3A-IP31 194527	BP-FLP-600-BL 286707	BP-FLP-600-2K 286708
	760	650	BP-MF-600/7 286659	BP-TBP1-600-BL 144700	BP-TBP1-600-CE 144705			
	1060	950	BP-MF-600/10 286660					
	1260	1150	BP-MF-600/12 286661					
	1560	1450	BP-MF-600/15 286662					
800 (35MU/row)	460	350	BP-MF-800/4 286663	BP-TBP-800-BL 286702	BP-TBP-800-CE 286703	BP-TBP1-800-F3A-IP31 194528	BP-FLP-800-BL 286710	BP-FLP-800-2K 286711
	760	650	BP-MF-800/7 286664	BP-TBP1-800-BL 144701	BP-TBP1-800-CE 144706			
	1060	950	BP-MF-800/10 286665					
	1260	1150	BP-MF-800/12 286666					
	1560	1450	BP-MF-800/15 286667					
1000 (46MU/row)	1060	950	BP-MF-1000/10 293521	BP-TBP-1000-BL 293550	BP-TBP-1000-CE 293552	BP-TBP1-1000-F3A-IP31 194529	BP-FLP-1000-BL 293558	BP-FLP-1000-2K 293560
	1260	1150	BP-MF-1000/12 293522	BP-TBP1-1000-BL 144702	BP-TBP1-1000-CE 144707			
	1560	1450	BP-MF-1000/15 293523					
1200 (57MU/row)	1260	1150	BP-MF-1200/12 293524	BP-TBP-1200-BL 293554	BP-TBP-1200-CE 293556	BP-TBP1-1200-F3A-IP31 194530	BP-FLP-1200-BL 293564	BP-FLP-1200-2K 293566
	1560	1450	BP-MF-1200/15 293525	BP-TBP1-1200-BL 144703	BP-TBP1-1200-CE 144708			

Surface-mounted distribution board BP-O-..., IP30 (flat-pack, grey)



Cable entry / Flange plate / Prepared for F3A-flange	Cable entry / Flange plate with shift-back flange	Side panels + Front plate supports 1 pair each	Sheet-metal door / Rotary handle	Sheet-metal door / Clip-down handle	Sheet-metal door (transparent) / Rotary handle	Plinth 100 mm / Side parts 1 pair / Front cover	Plinth 200 mm / Side parts 1 pair / Front cover
--	---	---	----------------------------------	-------------------------------------	--	---	---

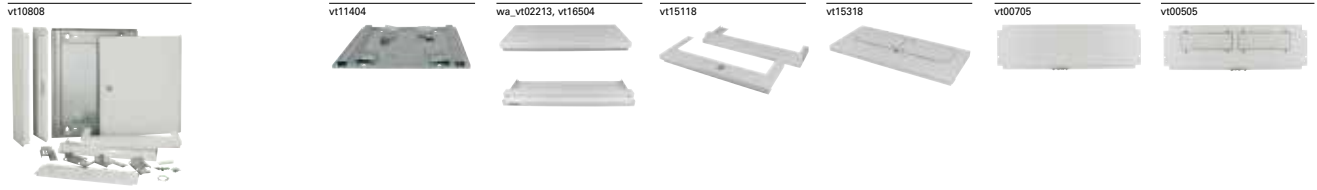
Article No. per unit unit = 1 pc.	Article No. per unit unit = 1 pc.	Article No. per unit unit = 1 pc.	Article No. per unit unit = 1 pc.	Article No. per unit unit = 1 pc.	Article No. per unit unit = 1 pc.	Article No. per unit unit = 1 pc.	Article No. per unit unit = 1 pc.
-----------------------------------	-----------------------------------	-----------------------------------	-----------------------------------	-----------------------------------	-----------------------------------	-----------------------------------	-----------------------------------

BP-FLP-400-F3A 286706	BP-FLP-400-VS 119355	BPZ-SP-MSW-4 + BPZ-FPS/350 111339 + 112343	BP-DS-400/4 286713	BP-DS-400/4-P 119063	BP-DT-400/4 286728	BPZ-SS-1/249 119168 BPZ-FS-400/1 293493	BPZ-SS-2/249 119172 BPZ-FS-400/2 293495
		BPZ-SP-MSW-7 + BPZ-FPS/650 111341 + 112344	BP-DS-400/7 286714	BP-DS-400/7-P 119064	BP-DT-400/7 286729		
		BPZ-SP-MSW-10 + BPZ-FPS/950 111342 + 112345	BP-DS-400/10 286715	BP-DS-400/10-P 119065	BP-DT-400/10 286730		
		BPZ-SP-MSW-12 + BPZ-FPS/1150 111343 + 112346	BP-DS-400/12 286716	BP-DS-400/12-P 119066	BP-DT-400/12 286731		
		BPZ-SP-MSW-15 + BPZ-FPS/1450 111344 + 112347	BP-DS-400/15 286717	BP-DS-400/15-P 119067	BP-DT-400/15 286732		
BP-FLP-600-F3A 286709	BP-FLP-600-VS 119356	BPZ-SP-MSW-4 + BPZ-FPS/350 111339 + 112343	BP-DS-600/4 286718	BP-DS-600/4-P 119068	BP-DT-600/4 286733	BPZ-SS-1/249 119168 BPZ-FS-600/1 293497	BPZ-SS-2/249 119172 BPZ-FS-600/2 293499
		BPZ-SP-MSW-7 + BPZ-FPS/650 111341 + 112344	BP-DS-600/7 286719	BP-DS-600/7-P 119069	BP-DT-600/7 286734		
		BPZ-SP-MSW-10 + BPZ-FPS/950 111342 + 112345	BP-DS-600/10 286720	BP-DS-600/10-P 119070	BP-DT-600/10 286735		
		BPZ-SP-MSW-12 + BPZ-FPS/1150 111343 + 112346	BP-DS-600/12 286721	BP-DS-600/12-P 119071	BP-DT-600/12 286736		
		BPZ-SP-MSW-15 + BPZ-FPS/1450 111344 + 112347	BP-DS-600/15 286722	BP-DS-600/15-P 119072	BP-DT-600/15 286737		
BP-FLP-800-F3A 286712	BP-FLP-800-VS 119357	BPZ-SP-MSW-4 + BPZ-FPS/350 111339 + 112343	BP-DS-800/4 286723	BP-DS-800/4-P 119073	BP-DT-800/4 286738	BPZ-SS-1/249 119168 BPZ-FS-800/1 293501	BPZ-SS-2/249 119172 BPZ-FS-800/2 293503
		BPZ-SP-MSW-7 + BPZ-FPS/650 111341 + 112344	BP-DS-800/7 286724	BP-DS-800/7-P 119074	BP-DT-800/7 286739		
		BPZ-SP-MSW-10 + BPZ-FPS/950 111342 + 112345	BP-DS-800/10 286725	BP-DS-800/10-P 119075	BP-DT-800/10 286740		
		BPZ-SP-MSW-12 + BPZ-FPS/1150 111343 + 112346	BP-DS-800/12 286726	BP-DS-800/12-P 119076	BP-DT-800/12 286741		
		BPZ-SP-MSW-15 + BPZ-FPS/1450 111344 + 112347	BP-DS-800/15 286727	BP-DS-800/15-P 119077	BP-DT-800/15 286742		
BP-FLP-1000-F3A 293562	BP-FLP-1000-VS 119358	BPZ-SP-MSW-10 + BPZ-FPS/950 111342 + 112345	BP-DS-600/10 + BP-DS-400/10-L 286720 + 293570	BP-DS-600/10-P + BP-DS-400/10-L 119070 + 293570	BP-DT-600/10 + BP-DT-400/10-L 286735 + 293580	BPZ-SS-1/249 119168 BPZ-FS-1000/1 293505	BPZ-SS-2/249 119172 BPZ-FS-1000/2 293507
		BPZ-SP-MSW-12 + BPZ-FPS/1150 111343 + 112346	BP-DS-600/12 + BP-DS-400/12-L 286721 + 293572	BP-DS-600/12-P + BP-DS-400/12-L 119071 + 293572	BP-DT-600/12 + BP-DT-400/12-L 286736 + 293582		
		BPZ-SP-MSW-15 + BPZ-FPS/1450 111344 + 112347	BP-DS-600/15 + BP-DS-400/15-L 286722 + 293574	BP-DS-600/15-P + BP-DS-400/15-L 119072 + 293574	BP-DT-600/15 + BP-DT-400/15-L 286737 + 293584		
BP-FLP-1200-F3A 293568	BP-FLP-1200-VS 119359	BPZ-SP-MSW-12 + BPZ-FPS/1150 111343 + 112346	BP-DS-600/12 + BP-DS-600/12-L 286721 + 293576	BP-DS-600/12-P + BP-DS-600/12-L 119071 + 293576	BP-DT-600/12 + BP-DT-600/12-L 286736 + 293586	BPZ-SS-1/249 119168 BPZ-FS-1200/1 293509	BPZ-SS-2/249 119172 BPZ-FS-1200/2 293511
		BPZ-SP-MSW-15 + BPZ-FPS/1450 111344 + 112347	BP-DS-600/15 + BP-DS-600/15-L 286722 + 293578	BP-DS-600/15-P + BP-DS-600/15-L 119072 + 293578	BP-DT-600/15 + BP-DT-600/15-L 286737 + 293588		

5.2

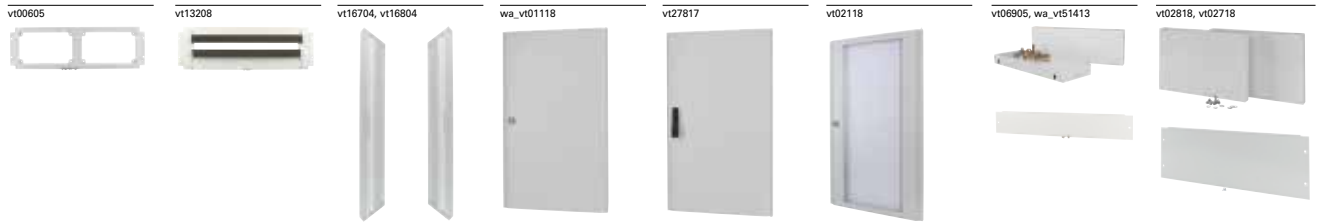
xEnergy Distribution Boards

Surface-mounted distribution board BP-O-..., IP30 (flat-pack, grey)



Width [mm]	Height [mm]	Height int. [mm]	Main frame	Top/bottom panels closed without cutout / 1 pair / Single element	Top/bottom panels with cutout for cable entry / Flange plate / 1 pair / Single element	Top panel IP31 (closed) incl. F3A-XP	Cable entry / Flange plate / Closed	Cable entry / Flange plate incl. 2K-flange
			Article No. per unit unit = 1 pc.	Article No. per unit unit = 1 pc.	Article No. per unit unit = 1 pc.	Article No. per unit unit = 1 pc.	Article No. per unit unit = 1 pc.	Article No. per unit unit = 1 pc.
BP-O-..., IP30 (installation MSW) GREY								
400 (13MU/row)	460	350	BP-MF-400/4 286653	BP-TBP-400-BL 286698	BP-TBP-400-CE 286699	BP-TBP1-400-F3A-IP31 194526	BP-FLP-400-BL 286704	BP-FLP-400-2K 286705
	760	650	BP-MF-400/7 286654	BP-TBP1-400-BL 144689	BP-TBP1-400-CE 144704			
	1060	950	BP-MF-400/10 286655					
	1260	1150	BP-MF-400/12 286656					
	1560	1450	BP-MF-400/15 286657					
600 (24MU/row)	460	350	BP-MF-600/4 286658	BP-TBP-600-BL 286700	BP-TBP-600-CE 286701	BP-TBP1-600-F3A-IP31 194527	BP-FLP-600-BL 286707	BP-FLP-600-2K 286708
	760	650	BP-MF-600/7 286659	BP-TBP1-600-BL 144700	BP-TBP1-600-CE 144705			
	1060	950	BP-MF-600/10 286660					
	1260	1150	BP-MF-600/12 286661					
	1560	1450	BP-MF-600/15 286662					
800 (35MU/row)	460	350	BP-MF-800/4 286663	BP-TBP-800-BL 286702	BP-TBP-800-CE 286703	BP-TBP1-800-F3A-IP31 194528	BP-FLP-800-BL 286710	BP-FLP-800-2K 286711
	760	650	BP-MF-800/7 286664	BP-TBP1-800-BL 144701	BP-TBP1-800-CE 144706			
	1060	950	BP-MF-800/10 286665					
	1260	1150	BP-MF-800/12 286666					
	1560	1450	BP-MF-800/15 286667					
1000 (46MU/row)	1060	950	BP-MF-1000/10 293521	BP-TBP-1000-BL 293550	BP-TBP-1000-CE 293552	BP-TBP1-1000-F3A-IP31 194529	BP-FLP-1000-BL 293558	BP-FLP-1000-2K 293560
	1260	1150	BP-MF-1000/12 293522	BP-TBP1-1000-BL 144702	BP-TBP1-1000-CE 144707			
	1560	1450	BP-MF-1000/15 293523					
1200 (57MU/row)	1260	1150	BP-MF-1200/12 293524	BP-TBP-1200-BL 293554	BP-TBP-1200-CE 293556	BP-TBP1-1200-F3A-IP31 194530	BP-FLP-1200-BL 293564	BP-FLP-1200-2K 293566
	1560	1450	BP-MF-1200/15 293525	BP-TBP1-1200-BL 144703	BP-TBP1-1200-CE 144708			

Surface-mounted distribution board BP-O-..., IP30 (flat-pack, grey)



Cable entry / Flange plate / Prepared for F3A-flange	Cable entry / Flange plate with shift- back flange	Side panels 1 pair	Sheet-metal door / Rotary handle	Sheet-metal door / Clip-down handle	Sheet-metal door (transparent) / Rotary handle	Plinth 100 mm / Side parts 1 pair / Front cover	Plinth 200 mm / Side parts 1 pair / Front cover
---	---	-----------------------	-------------------------------------	--	--	---	---

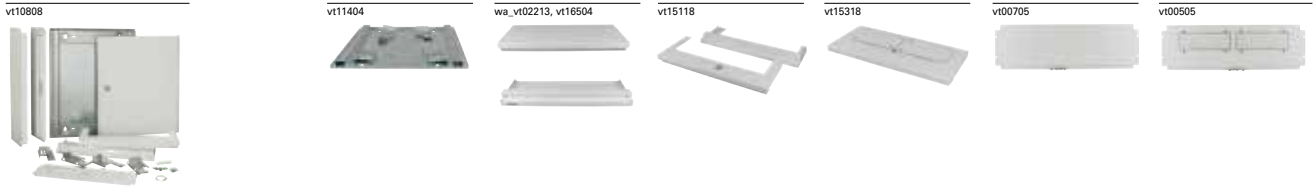
Article No. per unit unit = 1 pc.	Article No. per unit unit = 1 pc.	Article No. per unit unit = 1 pc.	Article No. per unit unit = 1 pc.	Article No. per unit unit = 1 pc.	Article No. per unit unit = 1 pc.	Article No. per unit unit = 1 pc.	Article No. per unit unit = 1 pc.
---	---	---	---	---	---	---	---

BP-FLP-400-F3A 286706	BP-FLP-400-VS 119355	BPZ-SP-MSW-4 111339	BP-DS-400/4 286713	BP-DS-400/4-P 119063	BP-DT-400/4 286728	BPZ-SS-1/249 119168 BPZ-FS-400/1 293493	BPZ-SS-2/249 119172 BPZ-FS-400/2 293495
		BPZ-SP-MSW-7 111341	BP-DS-400/7 286714	BP-DS-400/7-P 119064	BP-DT-400/7 286729		
		BPZ-SP-MSW-10 111342	BP-DS-400/10 286715	BP-DS-400/10-P 119065	BP-DT-400/10 286730		
		BPZ-SP-MSW-12 111343	BP-DS-400/12 286716	BP-DS-400/12-P 119066	BP-DT-400/12 286731		
		BPZ-SP-MSW-15 111344	BP-DS-400/15 286717	BP-DS-400/15-P 119067	BP-DT-400/15 286732		
BP-FLP-600-F3A 286709	BP-FLP-600-VS 119356	BPZ-SP-MSW-4 111339	BP-DS-600/4 286718	BP-DS-600/4-P 119068	BP-DT-600/4 286733	BPZ-SS-1/249 119168 BPZ-FS-600/1 293497	BPZ-SS-2/249 119172 BPZ-FS-600/2 293499
		BPZ-SP-MSW-7 111341	BP-DS-600/7 286719	BP-DS-600/7-P 119069	BP-DT-600/7 286734		
		BPZ-SP-MSW-10 111342	BP-DS-600/10 286720	BP-DS-600/10-P 119070	BP-DT-600/10 286735		
		BPZ-SP-MSW-12 111343	BP-DS-600/12 286721	BP-DS-600/12-P 119071	BP-DT-600/12 286736		
		BPZ-SP-MSW-15 111344	BP-DS-600/15 286722	BP-DS-600/15-P 119072	BP-DT-600/15 286737		
BP-FLP-800-F3A 286712	BP-FLP-800-VS 119357	BPZ-SP-MSW-4 111339	BP-DS-800/4 286723	BP-DS-800/4-P 119073	BP-DT-800/4 286738	BPZ-SS-1/249 119168 BPZ-FS-800/1 293501	BPZ-SS-2/249 119172 BPZ-FS-800/2 293503
		BPZ-SP-MSW-7 111341	BP-DS-800/7 286724	BP-DS-800/7-P 119074	BP-DT-800/7 286739		
		BPZ-SP-MSW-10 111342	BP-DS-800/10 286725	BP-DS-800/10-P 119075	BP-DT-800/10 286740		
		BPZ-SP-MSW-12 111343	BP-DS-800/12 286726	BP-DS-800/12-P 119076	BP-DT-800/12 286741		
		BPZ-SP-MSW-15 111344	BP-DS-800/15 286727	BP-DS-800/15-P 119077	BP-DT-800/15 286742		
BP-FLP-1000-F3A 293562	BP-FLP-1000-VS 119358	BPZ-SP-MSW-10 111342	BP-DS-600/10 + BP-DS-400/10-L 286720 + 293570	BP-DS-600/10-P + BP-DS-400/10-L 119070 + 293570	BP-DT-600/10 + BP-DT-400/10-L 286735 + 293580	BPZ-SS-1/249 119168 BPZ-FS-1000/1 293505	BPZ-SS-2/249 119172 BPZ-FS-1000/2 293507
		BPZ-SP-MSW-12 111343	BP-DS-600/12 + BP-DS-400/12-L 286721 + 293572	BP-DS-600/12-P + BP-DS-400/12-L 119071 + 293572	BP-DT-600/12 + BP-DT-400/12-L 286736 + 293582		
		BPZ-SP-MSW-15 111344	BP-DS-600/15 + BP-DS-400/15-L 286722 + 293574	BP-DS-600/15-P + BP-DS-400/15-L 119072 + 293574	BP-DT-600/15 + BP-DT-400/15-L 286737 + 293584		
BP-FLP-1200-F3A 293568	BP-FLP-1200-VS 119359	BPZ-SP-MSW-12 111343	BP-DS-600/12 + BP-DS-600/12-L 286721 + 293576	BP-DS-600/12-P + BP-DS-600/12-L 119071 + 293576	BP-DT-600/12 + BP-DT-600/12-L 286736 + 293586	BPZ-SS-1/249 119168 BPZ-FS-1200/1 293509	BPZ-SS-2/249 119172 BPZ-FS-1200/2 293511
		BPZ-SP-MSW-15 111344	BP-DS-600/15 + BP-DS-600/15-L 286722 + 293578	BP-DS-600/15-P + BP-DS-600/15-L 119072 + 293578	BP-DT-600/15 + BP-DT-600/15-L 286737 + 293588		

5.3

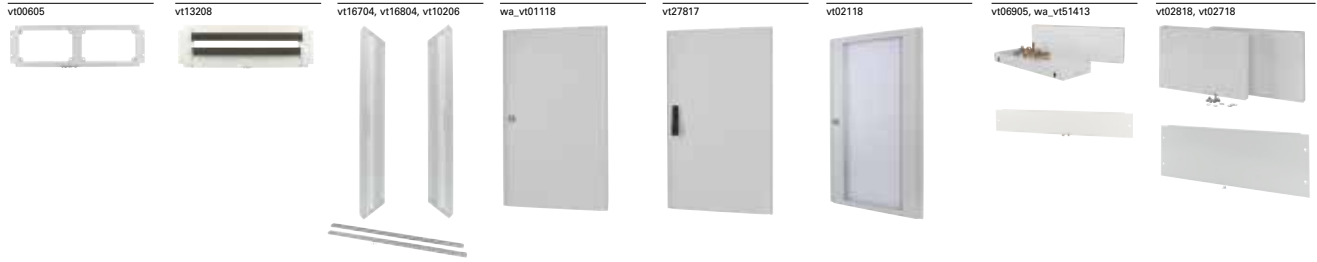
xEnergy Distribution Boards

Surface-mounted distribution board BP-O-..., IP30 (flat-pack, white)



Width [mm]	Height [mm]	Height int. [mm]	Main frame	Top/bottom panels closed without cutout / 1 pair / Single element	Top/bottom panels with cutout for cable entry / Flange plate / 1 pair / Single element	Top panel IP31 (closed) incl. F3A-XP	Cable entry / Flange plate closed	Cable entry / Flange plate incl. 2K-flange
			Article No. per unit unit = 1 pc.	Article No. per unit unit = 1 pc.	Article No. per unit unit = 1 pc.	Article No. per unit unit = 1 pc.	Article No. per unit unit = 1 pc.	Article No. per unit unit = 1 pc.
BP-O-..., IP30 (installation back frame) WHITE								
400 (13MU/row)	460	350	BP-MF-400/4 286653	BP-TBP-400-BL-W 292420	BP-TBP-400-CE-W 292421	BP-TBP1-400-F3A-IP31-W 194531	BP-FLP-400-BL-W 292426	BP-FLP-400-2K-W 292427
	760	650	BP-MF-400/7 286654	BP-TBP1-400-BL-W 144709	BP-TBP1-400-CE-W 144714			
	1060	950	BP-MF-400/10 286655					
	1260	1150	BP-MF-400/12 286656					
	1560	1450	BP-MF-400/15 286657					
600 (24MU/row)	460	350	BP-MF-600/4 286658	BP-TBP-600-BL-W 292422	BP-TBP-600-CE-W 292423	BP-TBP1-600-F3A-IP31-W 194532	BP-FLP-600-BL-W 292429	BP-FLP-600-2K-W 292430
	760	650	BP-MF-600/7 286659	BP-TBP1-600-BL-W 144710	BP-TBP1-600-CE-W 144715			
	1060	950	BP-MF-600/10 286660					
	1260	1150	BP-MF-600/12 286661					
	1560	1450	BP-MF-600/15 286662					
800 (35MU/row)	460	350	BP-MF-800/4 286663	BP-TBP-800-BL-W 292424	BP-TBP-800-CE-W 292425	BP-TBP1-800-F3A-IP31-W 194533	BP-FLP-800-BL-W 292432	BP-FLP-800-2K-W 292433
	760	650	BP-MF-800/7 286664	BP-TBP1-800-BL-W 144711	BP-TBP1-800-CE-W 144716			
	1060	950	BP-MF-800/10 286665					
	1260	1150	BP-MF-800/12 286666					
	1560	1450	BP-MF-800/15 286667					
1000 (46MU/row)	1060	950	BP-MF-1000/10 293521	BP-TBP-1000-BL-W 293551	BP-TBP-1000-CE-W 293553	BP-TBP1-1000-F3A-IP31-W 194534	BP-FLP-1000-BL-W 293559	BP-FLP-1000-2K-W 293561
	1260	1150	BP-MF-1000/12 293522	BP-TBP1-1000-BL-W 144712	BP-TBP1-1000-CE-W 144717			
	1560	1450	BP-MF-1000/15 293523					
1200 (57MU/row)	1260	1150	BP-MF-1200/12 293524	BP-TBP-1200-BL-W 293555	BP-TBP-1200-CE-W 293557	BP-TBP1-1200-F3A-IP31-W 194535	BP-FLP-1200-BL-W 293565	BP-FLP-1200-2K-W 293567
	1560	1450	BP-MF-1200/15 293525	BP-TBP1-1200-BL-W 144713	BP-TBP1-1200-CE-W 144718			

Surface-mounted distribution board BP-O-..., IP30 (flat-pack, white)



Cable entry / Flange plate Prepared for F3A-flange	Cable entry / Flange plate / With shift- back flange	Side panels + Front plate supports 1 pair each	Sheet-metal door / Rotary handle	Sheet-metal door / Clip-down handle	Sheet-metal door (transparent) / Rotary handle	Plinth 100 mm / Side parts 1 pair / Front cover	Plinth 200 mm / Side parts 1 pair / Front cover
Article No. per unit unit = 1 pc.	Article No. per unit unit = 1 pc.	Article No. per unit unit = 1 pc.	Article No. per unit unit = 1 pc.	Article No. per unit unit = 1 pc.	Article No. per unit unit = 1 pc.	Article No. per unit unit = 1 pc.	Article No. per unit unit = 1 pc.

BP-FLP-400-F3A-WBP-FLP-400-VS-W 292428	BPZ-SP-MSW-4-W + BPZ-FPS/350 111345 + 112343	BP-DS-400/4-W 292435	BP-DS-400/4-P-W 119078	BP-DT-400/4-W 292450	BPZ-SS-1/249-W 119174	BPZ-SS-2/249-W 119176	BPZ-SP-MSW-7-W + BPZ-FPS/650 111347 + 112344	BP-DS-400/7-W 292436	BP-DS-400/7-P-W 119079	BP-DT-400/7-W 292451	BPZ-FS-400/1-W 293494	BPZ-FS-400/2-W 293496
							BPZ-SP-MSW-10-W + BPZ-FPS/950 111348 + 112345	BP-DS-400/10-W 292437	BP-DS-400/10-P-WBP-DT-400/10-W 119080	292452		
							BPZ-SP-MSW-12-W + BPZ-FPS/1150 111349 + 112346	BP-DS-400/12-W 292438	BP-DS-400/12-P-WBP-DT-400/12-W 119081	292453		
							BPZ-SP-MSW-15-W + BPZ-FPS/1450 111350 + 112347	BP-DS-400/15-W 292439	BP-DS-400/15-P-WBP-DT-400/15-W 119082	292454		
BP-FLP-600-F3A-WBP-FLP-600-VS-W 292431	BPZ-SP-MSW-4-W + BPZ-FPS/350 111345 + 112343	BP-DS-600/4-W 292440	BP-DS-600/4-P-W 119083	BP-DT-600/4-W 292455	BPZ-SS-1/249-W 119174	BPZ-SS-2/249-W 119176	BPZ-SP-MSW-7-W + BPZ-FPS/650 111347 + 112344	BP-DS-600/7-W 292441	BP-DS-600/7-P-W 119084	BP-DT-600/7-W 292456	BPZ-FS-600/1-W 293498	BPZ-FS-600/2-W 293500
							BPZ-SP-MSW-10-W + BPZ-FPS/950 111348 + 112345	BP-DS-600/10-W 292442	BP-DS-600/10-P-WBP-DT-600/10-W 119085	292457		
							BPZ-SP-MSW-12-W + BPZ-FPS/1150 111349 + 112346	BP-DS-600/12-W 292443	BP-DS-600/12-P-WBP-DT-600/12-W 119086	292458		
							BPZ-SP-MSW-15-W + BPZ-FPS/1450 111350 + 112347	BP-DS-600/15-W 292444	BP-DS-600/15-P-WBP-DT-600/15-W 119087	292459		
BP-FLP-800-F3A-WBP-FLP-800-VS-W 292434	BPZ-SP-MSW-4-W + BPZ-FPS/350 111345 + 112343	BP-DS-800/4-W 292445	BP-DS-800/4-P-W 119088	BP-DT-800/4-W 292460	BPZ-SS-1/249-W 119174	BPZ-SS-2/249-W 119176	BPZ-SP-MSW-7-W + BPZ-FPS/650 111347 + 112344	BP-DS-800/7-W 292446	BP-DS-800/7-P-W 119089	BP-DT-800/7-W 292461	BPZ-FS-600/1-W 293498	BPZ-FS-800/2-W 293504
							BPZ-SP-MSW-10-W + BPZ-FPS/950 111348 + 112345	BP-DS-800/10-W 292447	BP-DS-800/10-P-WBP-DT-800/10-W 119090	292462		
							BPZ-SP-MSW-12-W + BPZ-FPS/1150 111349 + 112346	BP-DS-800/12-W 292448	BP-DS-800/12-P-WBP-DT-800/12-W 119091	292463		
							BPZ-SP-MSW-15-W + BPZ-FPS/1450 111350 + 112347	BP-DS-800/15-W 292449	BP-DS-800/15-P-WBP-DT-800/15-W 119092	292464		
BP-FLP-1000-F3A-W 293563	BPZ-SP-MSW-10-W + BPZ-FPS/950 111348 + 112345	BP-DS-600/12-W + BP-DS-400/10-L-W 292442 + 293571	BP-DS-600/12-P-W + BP-DS-400/10-L-W 119085 + 293571	BP-DT-600/10-W + BP-DT-400/10-L-W 292457 + 293581	BPZ-SS-1/249-W 119174	BPZ-SS-2/249-W 119176	BPZ-SP-MSW-12-W + BPZ-FPS/1150 111349 + 112346	BP-DS-600/12-W + BP-DS-400/12-L-W 292443 + 293573	BP-DS-600/12-P-W + BP-DS-400/12-L-W 119086 + 293573	BP-DT-600/12-W + BP-DT-400/12-L-W 292458 + 293583	BPZ-FS-1000/1-W 293506	BPZ-FS-1000/2-W 293508
							BPZ-SP-MSW-15-W + BPZ-FPS/1450 111350 + 112347	BP-DS-600/15-W + BP-DS-400/15-L-W 292444 + 293575	BP-DS-600/15-P-W + BP-DS-400/15-L-W 119087 + 293575	BP-DT-600/15-W + BP-DT-400/15-L-W 292459 + 293585		
BP-FLP-1200-F3A-W 293569	BPZ-SP-MSW-12-W + BPZ-FPS/1150 111349 + 112346	BP-DS-600/12-W + BP-DS-600/12-L-W 292443 + 293577	BP-DS-600/12-P-W + BP-DS-600/12-L-W 119086 + 293577	BP-DT-600/12-W + BP-DT-600/12-L-W 292458 + 293587	BPZ-SS-1/249-W 119174	BPZ-SS-2/249-W 119176	BPZ-SP-MSW-15-W + BPZ-FPS/1450 111350 + 112347	BP-DS-600/15-W + BP-DS-600/15-L-W 292444 + 293579	BP-DS-600/15-P-W + BP-DS-600/15-L-W 119087 + 293579	BP-DT-600/15-W + BP-DT-600/15-L-W 292459 + 293589	BPZ-FS-1200/1-W 293510	BPZ-FS-1200/2-W 293512

5.3

xEnergy Distribution Boards

Surface-mounted distribution board BP-O-..., IP30 (flat-pack, white)

v110808



v111404



wa_v102213, v116504



v115118



v115318



v100705

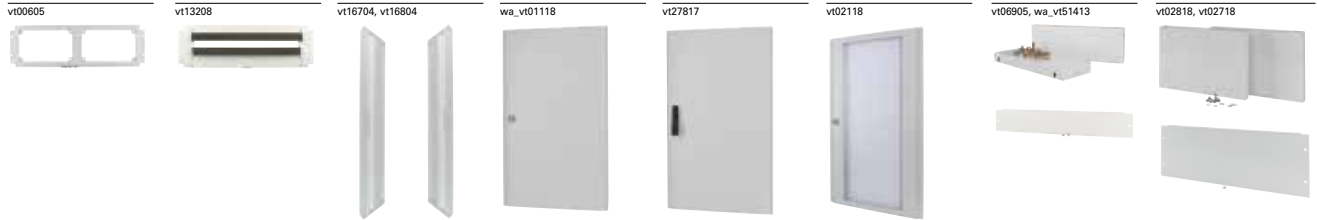


v100505



Width [mm]	Height [mm]	Height int. [mm]	Main frame	Top/bottom panels closed without cutout / 1 pair / Single element	Top/bottom panels with cutout for cable entry / Flange plate / 1 pair / Single element	Top panel IP31 (closed) incl. F3A-XP	Cable entry / Flange plate / Closed	Cable entry / Flange plate incl. 2K-flange
			Article No. per unit unit = 1 pc.	Article No. per unit unit = 1 pc.	Article No. per unit unit = 1 pc.	Article No. per unit unit = 1 pc.	Article No. per unit unit = 1 pc.	Article No. per unit unit = 1 pc.
BP-O-..., IP30 (installation MSW) WHITE								
400 (13MU/row)	460	350	BP-MF-400/4 286653	BP-TBP-400-BL-W 292420	BP-TBP-400-CE-W 292421	BP-TBP1-400-F3A-IP31-W 194531	BP-FLP-400-BL-W 292426	BP-FLP-400-2K-W 292427
	760	650	BP-MF-400/7 286654	BP-TBP1-400-BL-W 144709	BP-TBP1-400-CE-W 144714			
	1060	950	BP-MF-400/10 286655					
	1260	1150	BP-MF-400/12 286656					
	1560	1450	BP-MF-400/15 286657					
600 (24MU/row)	460	350	BP-MF-600/4 286658	BP-TBP-600-BL-W 292422	BP-TBP-600-CE-W 292423	BP-TBP1-600-F3A-IP31-W 194532	BP-FLP-600-BL-W 292429	BP-FLP-600-2K-W 292430
	760	650	BP-MF-600/7 286659	BP-TBP1-600-BL-W 144710	BP-TBP1-600-CE-W 144715			
	1060	950	BP-MF-600/10 286660					
	1260	1150	BP-MF-600/12 286661					
	1560	1450	BP-MF-600/15 286662					
800 (35MU/row)	460	350	BP-MF-800/4 286663	BP-TBP-800-BL-W 292424	BP-TBP-800-CE-W 292425	BP-TBP1-800-F3A-IP31-W 194533	BP-FLP-800-BL-W 292432	BP-FLP-800-2K-W 292433
	760	650	BP-MF-800/7 286664	BP-TBP1-800-BL-W 144711	BP-TBP1-800-CE-W 144716			
	1060	950	BP-MF-800/10 286665					
	1260	1150	BP-MF-800/12 286666					
	1560	1450	BP-MF-800/15 286667					
1000 (46MU/row)	1060	950	BP-MF-1000/10 293521	BP-TBP-1000-BL-W 293551	BP-TBP-1000-CE-W 293553	BP-TBP1-1000-F3A-IP31-W 194534	BP-FLP-1000-BL-W 293559	BP-FLP-1000-2K-W 293561
	1260	1150	BP-MF-1000/12 293522	BP-TBP1-1000-BL-W 144712	BP-TBP1-1000-CE-W 144717			
	1560	1450	BP-MF-1000/15 293523					
1200 (57MU/row)	1260	1150	BP-MF-1200/12 293524	BP-TBP-1200-BL-W 293555	BP-TBP-1200-CE-W 293557	BP-TBP1-1200-F3A-IP31-W 194535	BP-FLP-1200-BL-W 293565	BP-FLP-1200-2K-W 293567
	1560	1450	BP-MF-1200/15 293525	BP-TBP1-1200-BL-W 144713	BP-TBP1-1200-CE-W 144718			

Surface-mounted distribution board BP-O-..., IP30 (flat-pack, white)

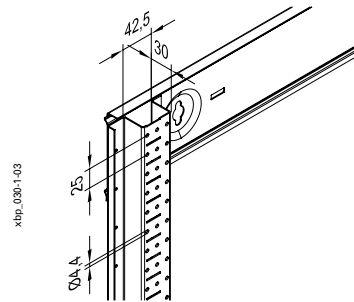
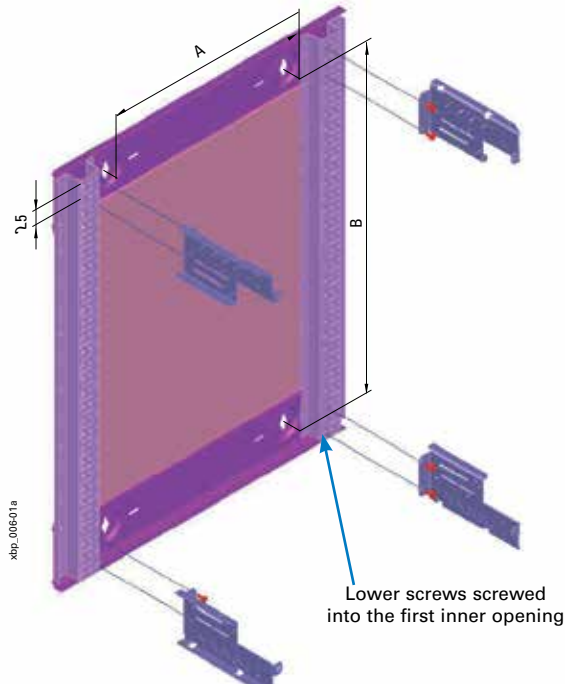


Cable entry / Flange plate Prepared for F3A-flange	Cable entry / Flange plate / With shift- back flange	Side panels 1 pair	Sheet-metal door / Rotary handle	Sheet-metal door / Clip-down handle	Sheet-metal door / (transparent) Rotary handle	Plinth 100 mm / Side parts 1 pair / Front cover	Plinth 200 mm / Side parts 1 pair / Front cover
Article No. per unit unit = 1 pc.	Article No. per unit unit = 1 pc.	Article No. per unit unit = 1 pc.	Article No. per unit unit = 1 pc.	Article No. per unit unit = 1 pc.	Article No. per unit unit = 1 pc.	Article No. per unit unit = 1 pc.	Article No. per unit unit = 1 pc.

BP-FLP-400-F3A-W 292428	BP-FLP-400-VS-W 131573	BPZ-SP-MSW-4-W 111345	BP-DS-400/4-W 292435	BP-DS-400/4-P-W 119078	BP-DT-400/4-W 292450	BPZ-SS-1/249-W 119174	BPZ-SS-2/249-W 119176
		BPZ-SP-MSW-7-W 111347	BP-DS-400/7-W 292436	BP-DS-400/7-P-W 119079	BP-DT-400/7-W 292451	BPZ-FS-400/1-W 293494	BPZ-FS-400/2-W 293496
		BPZ-SP-MSW-10-W 111348	BP-DS-400/10-W 292437	BP-DS-400/10-P-W 119080	BP-DT-400/10-W 292452		
		BPZ-SP-MSW-12-W 111349	BP-DS-400/12-W 292438	BP-DS-400/12-P-W 119081	BP-DT-400/12-W 292453		
		BPZ-SP-MSW-15-W 111350	BP-DS-400/15-W 292439	BP-DS-400/15-P-W 119082	BP-DT-400/15-W 292454		
BP-FLP-600-F3A-W 292431	BP-FLP-600-VS-W 131574	BPZ-SP-MSW-4-W 111345	BP-DS-600/4-W 292440	BP-DS-600/4-P-W 119083	BP-DT-600/4-W 292455	BPZ-SS-1/249-W 119174	BPZ-SS-2/249-W 119176
		BPZ-SP-MSW-7-W 111347	BP-DS-600/7-W 292441	BP-DS-600/7-P-W 119084	BP-DT-600/7-W 292456	BPZ-FS-600/1-W 293498	BPZ-FS-600/2-W 293500
		BPZ-SP-MSW-10-W 111348	BP-DS-600/10-W 292442	BP-DS-600/10-P-W 119085	BP-DT-600/10-W 292457		
		BPZ-SP-MSW-12-W 111349	BP-DS-600/12-W 292443	BP-DS-600/12-P-W 119086	BP-DT-600/12-W 292458		
		BPZ-SP-MSW-15-W 111350	BP-DS-600/15-W 292444	BP-DS-600/15-P-W 119087	BP-DT-600/15-W 292459		
BP-FLP-800-F3A-W 292434	BP-FLP-800-VS-W 131575	BPZ-SP-MSW-4-W 111345	BP-DS-800/4-W 292445	BP-DS-800/4-P-W 119088	BP-DT-800/4-W 292460	BPZ-SS-1/249-W 119174	BPZ-SS-2/249-W 119176
		BPZ-SP-MSW-7-W 111347	BP-DS-800/7-W 292446	BP-DS-800/7-P-W 119089	BP-DT-800/7-W 292461	BPZ-FS-600/1-W 293498	BPZ-FS-800/2-W 293504
		BPZ-SP-MSW-10-W 111348	BP-DS-800/10-W 292447	BP-DS-800/10-P-W 119090	BP-DT-800/10-W 292462		
		BPZ-SP-MSW-12-W 111349	BP-DS-800/12-W 292448	BP-DS-800/12-P-W 119091	BP-DT-800/12-W 292463		
		BPZ-SP-MSW-15-W 111350	BP-DS-800/15-W 292449	BP-DS-800/15-P-W 119092	BP-DT-800/15-W 292464		
BP-FLP-1000-F3A-W 293563	BP-FLP-1000-VS-W 131576	BPZ-SP-MSW-10-W 111348	BP-DS-600/10-W + BP-DS-400/10-L-W 292442 + 293571	BP-DS-600/10-P-W + BP-DS-400/10-L-W 119085 + 293571	BP-DT-600/10-W + BP-DT-400/10-L-W 292457 + 293581	BPZ-SS-1/249-W 119174	BPZ-SS-2/249-W 119176
		BPZ-SP-MSW-12-W 111349	BP-DS-600/12-W + BP-DS-400/12-L-W 292443 + 293573	BP-DS-600/12-P-W + BP-DS-400/12-L-W 119086 + 293573	BP-DT-600/12-W + BP-DT-400/12-L-W 292458 + 293583	BPZ-FS-1000/1-W 293506	BPZ-FS-1000/2-W 293508
		BPZ-SP-MSW-15-W 111350	BP-DS-600/15-W + BP-DS-400/15-L-W 292444 + 293575	BP-DS-600/15-P-W + BP-DS-400/15-L-W 119087 + 293575	BP-DT-600/15-W + BP-DT-400/15-L-W 292459 + 293585		
BP-FLP-1200-F3A-W 293569	BP-FLP-1200-VS-W 131577	BPZ-SP-MSW-12-W 111349	BP-DS-600/12-W + BP-DS-600/12-L-W 292443 + 293577	BP-DS-600/12-P-W + BP-DS-600/12-L-W 119086 + 293577	BP-DT-600/12-W + BP-DT-600/12-L-W 292458 + 293587	BPZ-SS-1/249-W 119174	BPZ-SS-2/249-W 119176
		BPZ-SP-MSW-15-W 111350	BP-DS-600/15-W + BP-DS-600/15-L-W 292444 + 293579	BP-DS-600/15-P-W + BP-DS-600/15-L-W 119087 + 293579	BP-DT-600/15-W + BP-DT-600/15-L-W 292459 + 293589	BPZ-FS-1200/1-W 293510	BPZ-FS-1200/2-W 293512

Base frames, BP-MF

- Add-on design
- Symmetrical layout
- Consistent system perforation pattern (25 mm grid)
- Material: sheet steel, zinc-coated thickness 1 mm
- Delivered as: 1 base frame, 4 towers, fixing material



Width [mm]	A	Height [mm]	B
400	173	460	342,5
600	373	760	642,5
800	573	1060	942,5
1000	773	1260	1142,5
1200	973	1560	1442,5

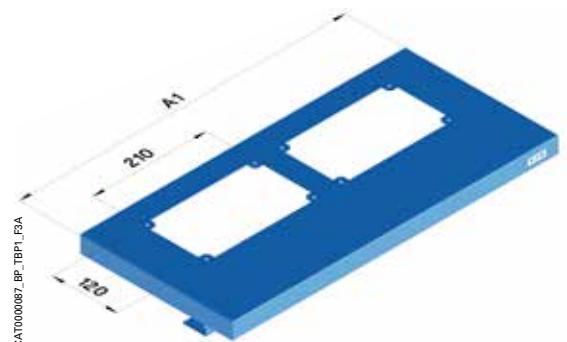
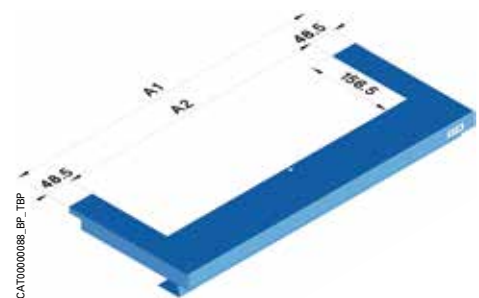
Top / bottom panels, BP-TBP..., BP-TBP1-...-F3A-IP31

- The top/bottom panels are used as covers for the cabinet
- With or without cable entry cutout
- Available as pair or single packaging depending on used version for top/bottom
- For upgrading your wall-mounted enclosure to IP31, it's mandatory to order type BP-TBP1-...-F3A-IP31 as top panel (canopy)
- Material: sheet steel, powder-coated, RAL 7035 or RAL 9016 thickness 1 mm
- Delivered as: 1 top panel, 1 bottom panel, fixing material

Dimensions (mm)

Type	Depth	Without cutout		With cutout	
		Outside width	Inside width	Outside width	Inside width
		A1	A2	A1	A2
BP-TBP-400	249	400	–	400	300
BP-TBP-600	249	600	–	600	500
BP-TBP-800	249	800	–	800	700
BP-TBP-1000	249	1000	–	1000	900
BP-TBP-1200	249	1200	–	1200	1100

Type	incl. F3A-XP flange
BP-TBP1-400-F3A-IP31	Yes (1 pc.)
BP-TBP1-600-F3A-IP31	Yes (2 pcs.)
BP-TBP1-800-F3A-IP31	Yes (3 pcs.)
BP-TBP1-1000-F3A-IP31	Yes (3 pcs.)
BP-TBP1-1200-F3A-IP31	Yes (4 pcs.)



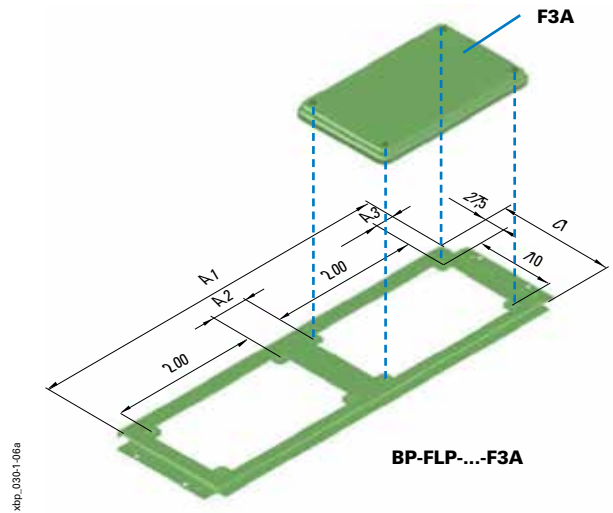
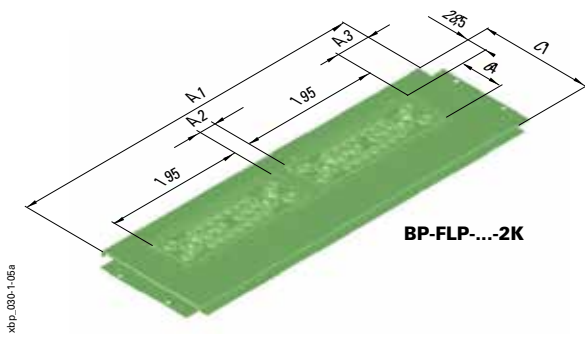
Cable entry / flange plates, BP-FLP

- Blind plate for closing the cable entry
- Cable entry plate with pass-through flange 2K (pre-fitted)
- Cable entry plate designed for F3A flange
- Mounting into BP-TBP-...-CE panels
- Can be used also for floor-standing board IP30
- Material: sheet steel, powder-coated, RAL 7035 thickness 1 mm
- Delivered as: 1 cable entry/flange plate, fixing material

Dimensions (mm)

Type	A1	A2	A3	C1	Number of flanges
BP-FLP-400-BL	300	–	–	155	-
BP-FLP-400-2K	300	–	51,95	155	1
BP-FLP-600-BL	500	–	–	155	-
BP-FLP-600-2K	500	18	45,45	155	2
BP-FLP-800-BL	700	–	–	155	-
BP-FLP-800-2K	700	18	38,95	155	3
BP-FLP-1000-BL	900	–	–	155	-
BP-FLP-1000-2K	900	18	31,45	155	4
BP-FLP-1200-BL	1100	–	–	155	-
BP-FLP-1200-2K	1100	18	25,95	155	5

Type	A1	A2	A3	C1	Number of openings for F3A flanges
BP-FLP-400-F3A	300	–	44,45	155	1
BP-FLP-600-F3A	500	40	19,45	155	2
BP-FLP-800-F3A	700	22	12,45	155	3
BP-FLP-1000-F3A	900	11,33	12,45	155	4
BP-FLP-1200-F3A	1100	6	12,45	5	



	Description	Type Designation	Article No.	Units per package
F3A Flanges				
• For IP55 applications (incl. F3A-D), used for all type of distribution boards				
	Blind flange	F3A-0	074182	1
	Blind flange sheet-steel	F3A-XP	113426	1
	4xM16, 6xM25/16, 8xM32/20	F3A-4	081301	1
	2xM20, 8xM25/16, 4xM32/20, 1xM50/32	F3A-8	091468	1
	2xM16, 12xM20, 2xM40/25, 2xM50/32	F3A-12	076555	1
	24xM16, 13xM20	F3A-34	078928	1
	2 Grommets for cables up to Ø 70mm	F3A-KTD	083674	1
	Cellular rubber insertion flange 40 cables Ø 10-13mm 4 cables Ø 17-21mm 2 cables Ø 27-30mm	F3A-D	010145	1
	Steel sheet with knockouts 9xM20, 2xM40/M32, 2xM50/M40	F3A-XP-M50/40	187862	1
	Steel sheet with knockouts 10xM16, 12xM20	F3A-XP-M20/16	187863	1
	Steel sheet with membrane flange insert made of thermoplastic elastomer (TPE) 9 cables Ø 18-30 mm 4 cables Ø 10-15 mm 4 cables Ø 5-10mm	F3A-XP-2K/17	300956	1

Surface-mounted distribution board BP-O-..., IP30 (flat-pack)

Description	Colour	Type Designation	Article No.	Units per package
-------------	--------	------------------	-------------	-------------------

Adapter plate for external cable entry boxes

- Standard boxes type CI-KST32/34 of Ci-assortment (incl. accessories) can be used
- Especially to terminate bigger incoming cables outside of the cabinet to keep required space for modular units / devices internally
- For IP55 applications

vi04618



Flange with sealing		F3A-KST32/34	193692	1
---------------------	--	--------------	--------	---

Sheet metal flange plate as a ventilation hood

- For IP30 applications

vi28210



Flange with ventilating		F3A-V	149194	1
-------------------------	--	-------	--------	---

Pass-through Flange ZSD-2K/FLA

- Pass-through flange for diverse wire cross-section, for IP30 applications

wa_vt07113



14 cables Ø 11 mm 8 cables Ø 15 mm 2 cables Ø 28 mm		ZSD-2K/FLA	272166	1
---	--	------------	--------	---

Blind flange instead of 2K flange

- Material: sheet steel, powder-coated, RAL7035 / RAL9016, thickness 1 mm

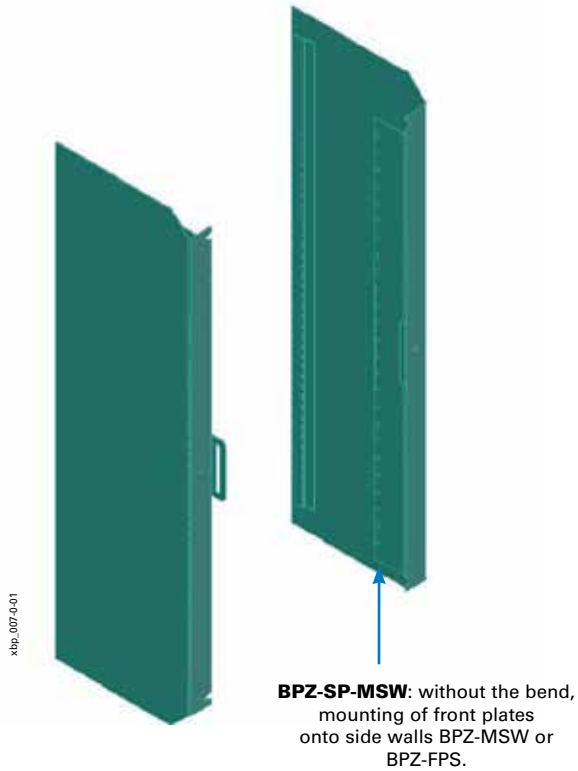
vi28717



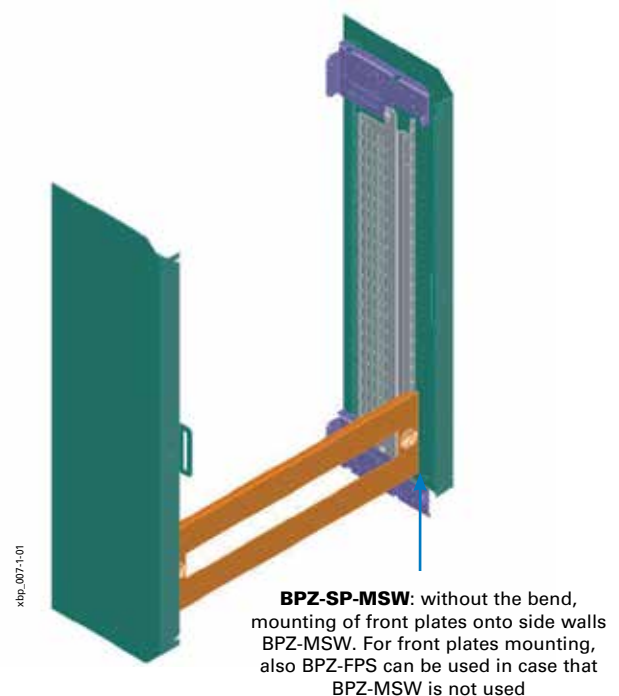
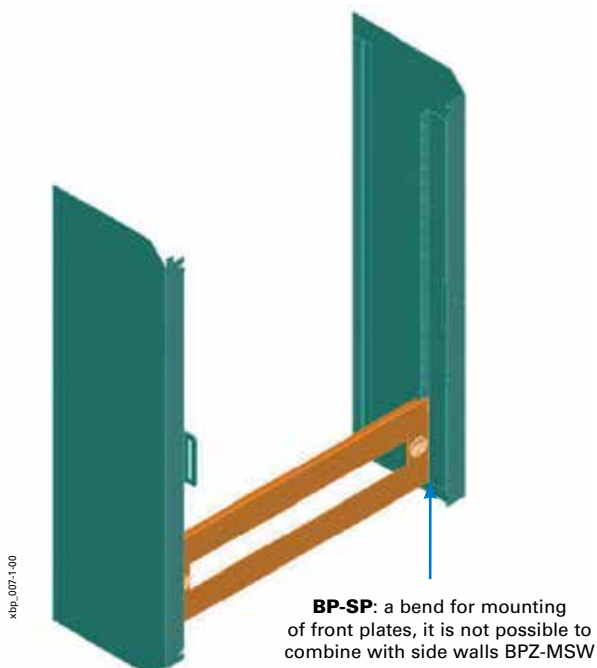
	RAL 7035	2K/BLIND	151178	1
	RAL 9016	2K/BLIND-W	151352	1

Side panels BPZ-SP-MSW

- Side panels are used as part of cover for the cabinet
- 1 variant (for base frame assembly, order 1 pair BPZ-FPS separately)
- Material: sheet steel, powder-coated, RAL 7035 or RAL 9016 thickness 1 mm
- Delivered as: 2 side panels

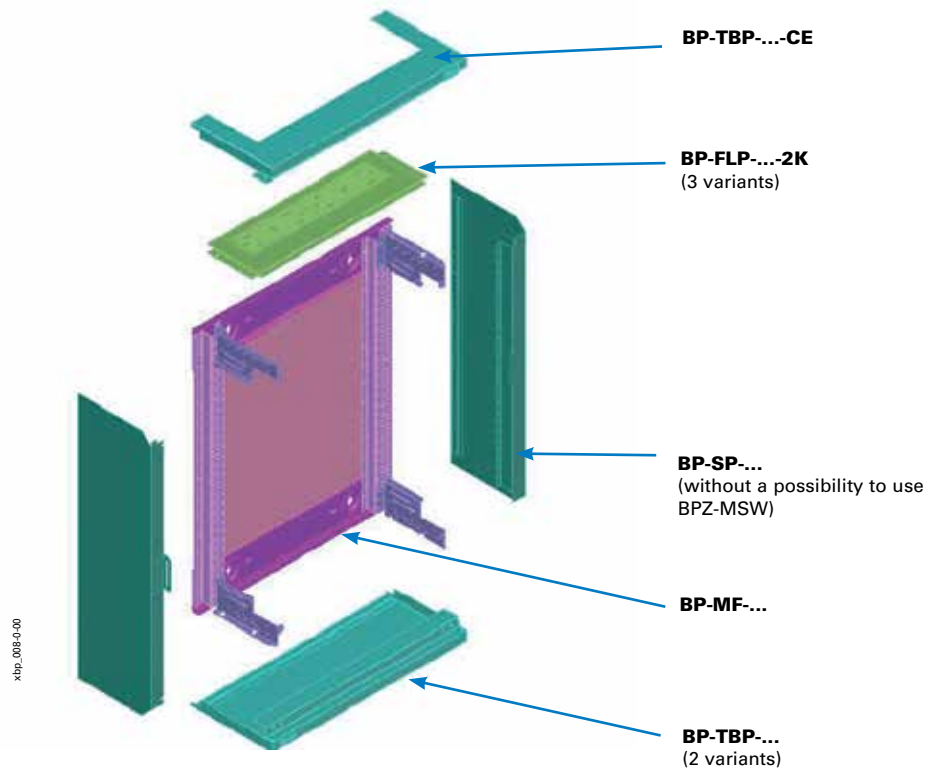


Mounting of front plates BPZ-FP into side panels BP-SP



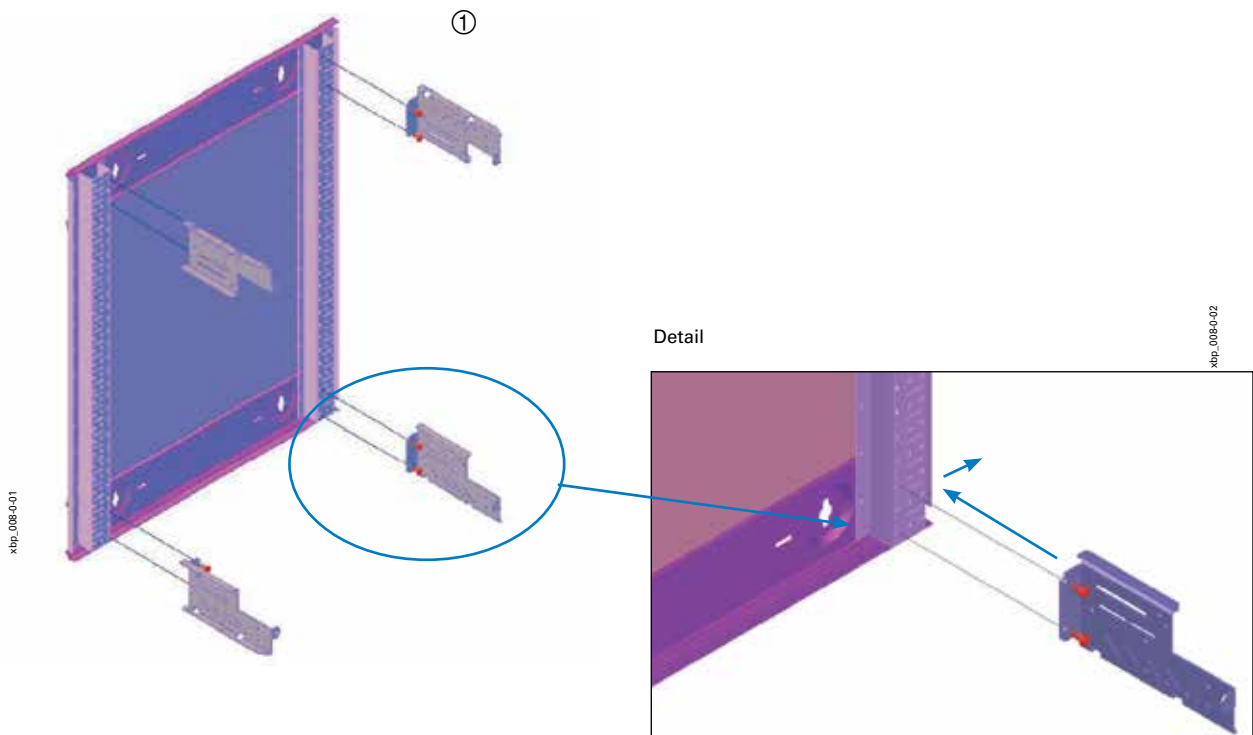
Board without a possibility of installation of mounting frame BPZ-MSW

- Without side wall BPZ-MSW



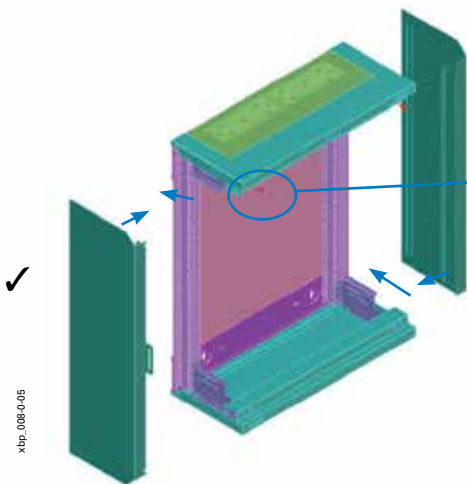
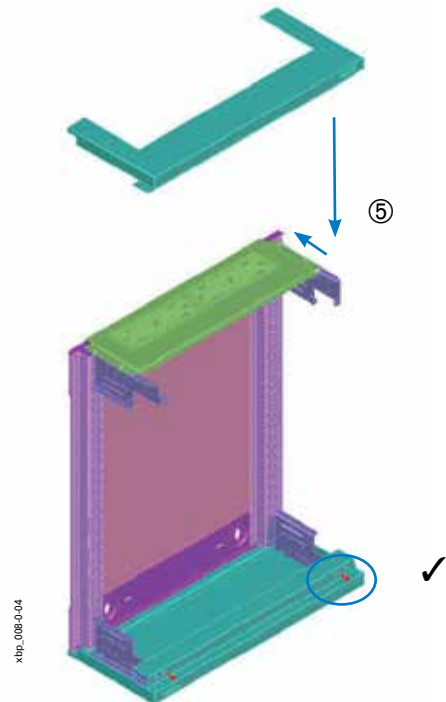
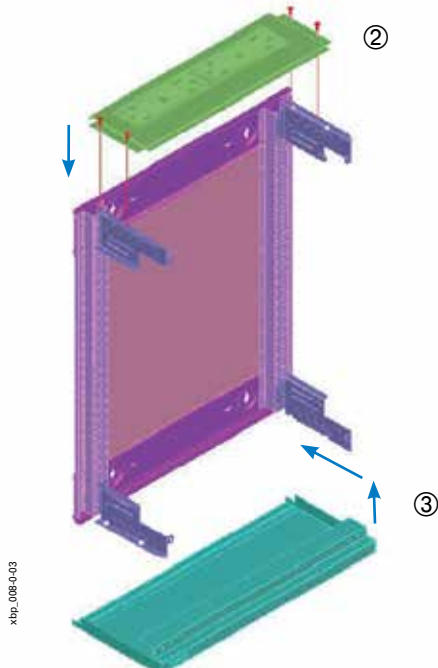
Mounting process:

- Mounting of towers BPZ-CTS-L onto base frame BP-MF. Towers BPZ-CTS-L are in a Delivered as of the frame BP-MF.

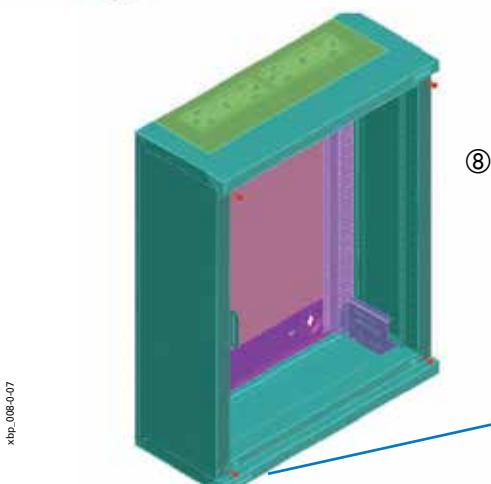
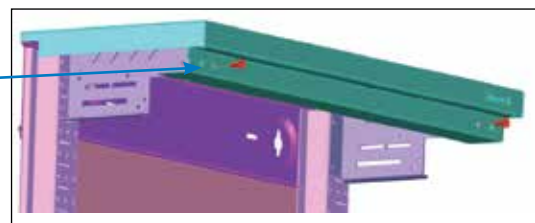


Board without a possibility of installation of mounting frame BPZ-MSW

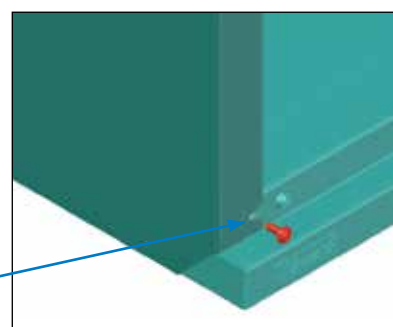
2. Assembly of cable entry plates BP-FLP onto towers BPZ-CTS-L
3. Assembly of top / bottom panel without cutout (if used)
4. Fixing of top / bottom panel without cutout into towers BPZ-CTS-L by means of screws
5. Addition of cable entry plate with top / bottom panel
6. Fixing of top / bottom panel with cutout into towers BPZ-CTS-L by means of screws
7. Assembly of side panels BP-SP
8. Fixing of side panels BP-SP



Detail

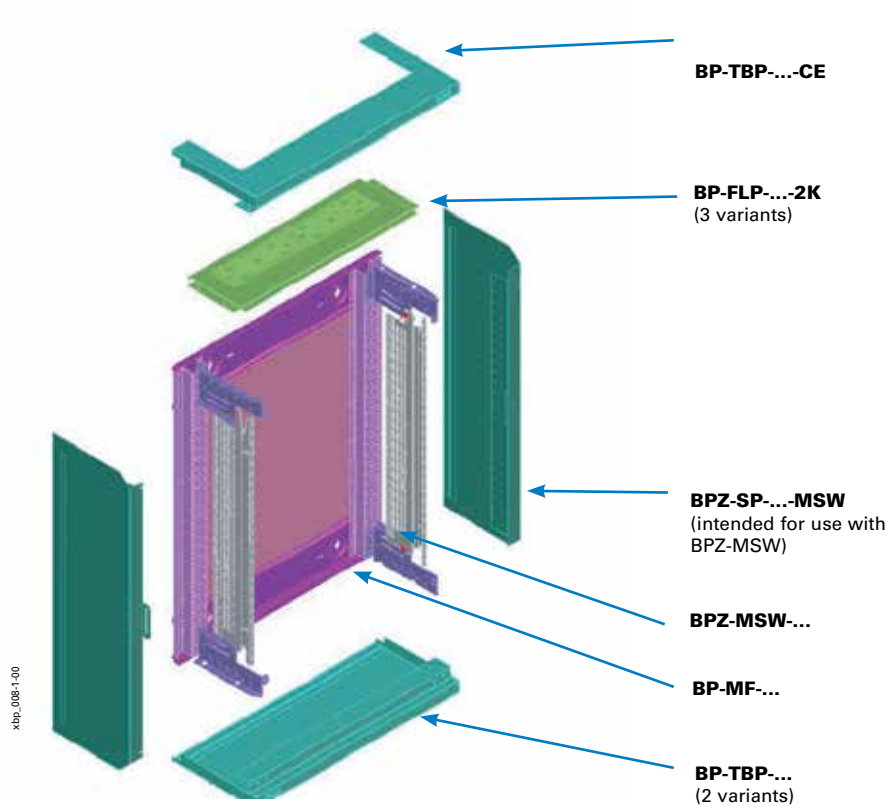


Detail



Board for installation of mounting frame BPZ-MSW

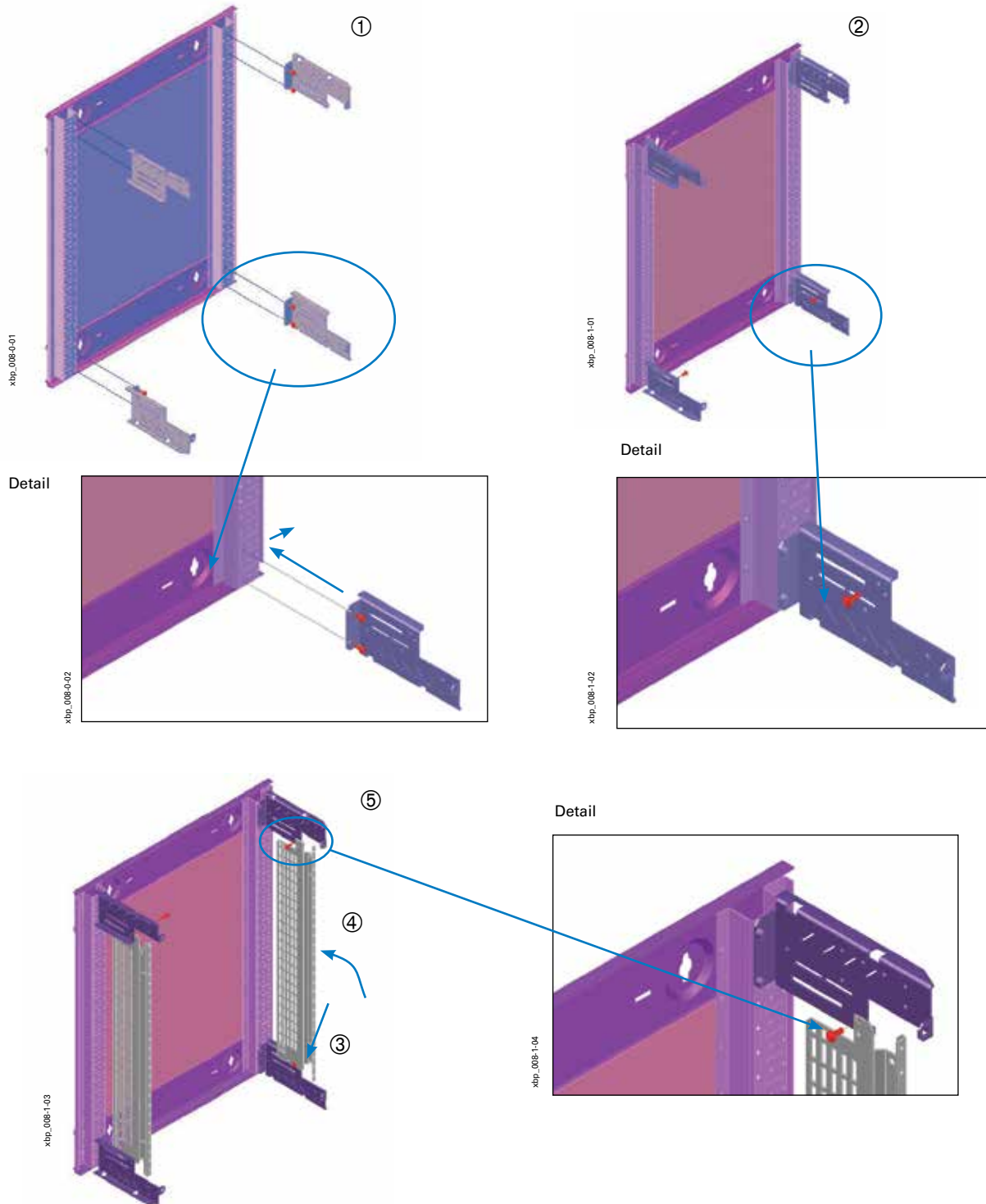
- Incl. side wall BPZ-MSW



Board for installation of mounting frame BPZ-MSW

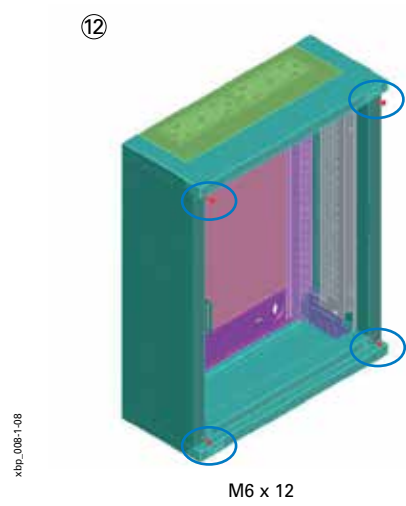
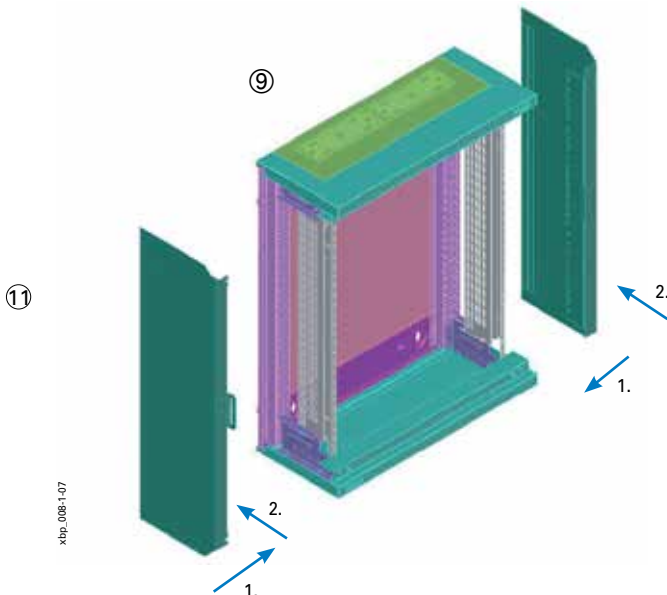
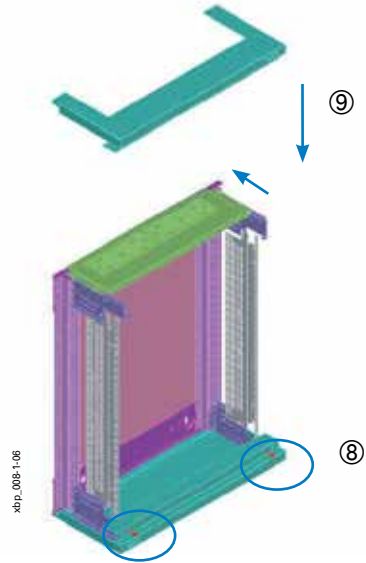
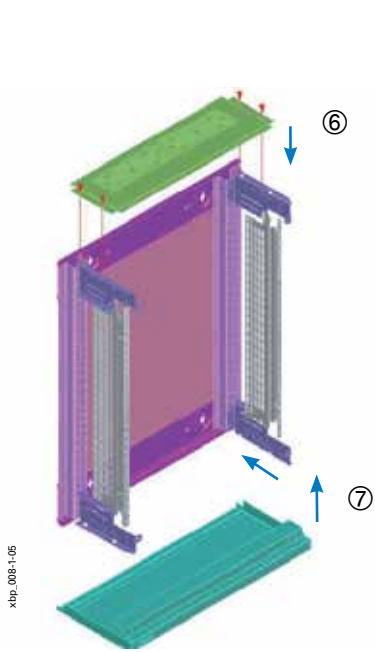
Mounting process

1. Mounting of towers BPZ-CTS-L onto base frame BP-MF. Towers BPZ-CTS-L are in a Delivered as of the frame BP-MF.
2. Pre-screwing of a screw which creates bottom hitch for frame BPZ-MSW.
3. Placing of the frame from side walls BPZ-MSW on bottom hitch
4. Tipping of the side walls BPZ-MSW to correct position
5. Fixing of the frame with top hitch screw



Board for installation of mounting frame BPZ-MSW

6. Assembly of cable entry plates BP-FLP onto towers BPZ-CTS-L
7. Assembly of top / bottom panel without cutout (if used)
8. Fixing of top / bottom panel into towers BPZ-CTS-L by means of screws
9. Addition of cable entry plate with top / bottom panel
10. Fixing of top / bottom panel with cutout into towers BPZ-CTS-L by means of screws
11. Assembly of side panels BPZ-SP-MSW
12. Fixing of side panels BPZ-SP-MSW

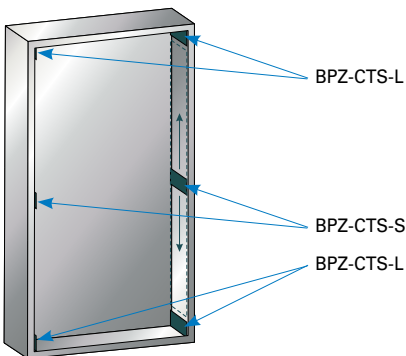


Front Plate Support, BPZ-FPS

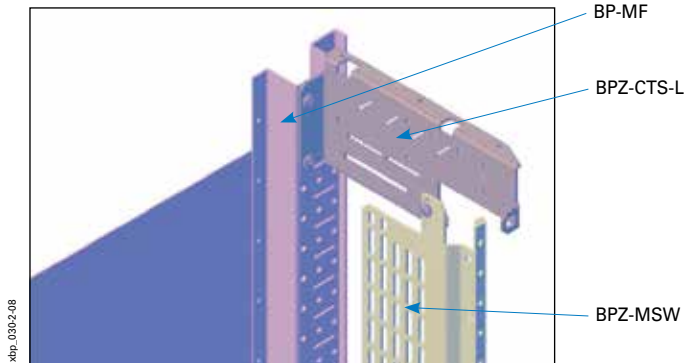
- For fixing the front plates
- Mounting of front plates without using BPZ-MSW
- Enables combination of an installation section with and without MSW in one board
- For mounting of floor standing distribution boards flexible assembly BP-F-...F
- Material: 2 mm sheet steel, galvanized
- Scope of delivery: 1 Pair of front plate supports, fixing material

Corner tower set, BPZ-CTS

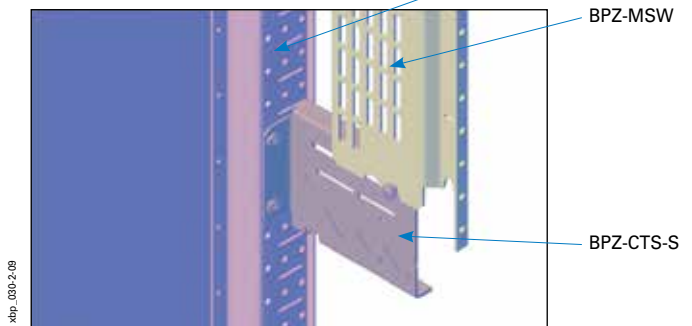
- Mounted directly on the system perforation pattern of the base frame BP-MF
- For fixing the terminal support bar BPZ-TSB
- For fixing the mounting side walls BPZ-MSW
- If towers BPZ-CTS-S are mounted for short side walls BPZ-MSW, it is necessary to pay attention to correct orientation of the towers. The square cutout in tower bend has to be on the other side to BPZ-MSW.
- Scope of delivery: 1 pair of towers (for left and right side), fixing material
- Mounting position:



Detail

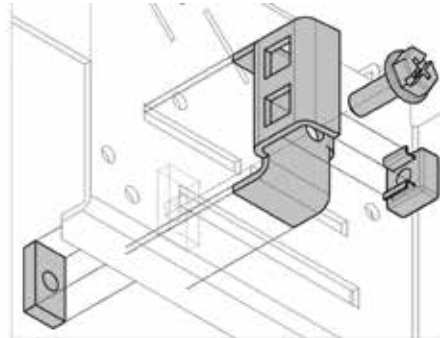
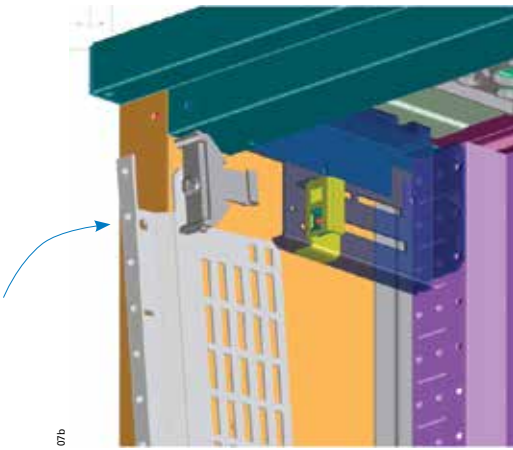
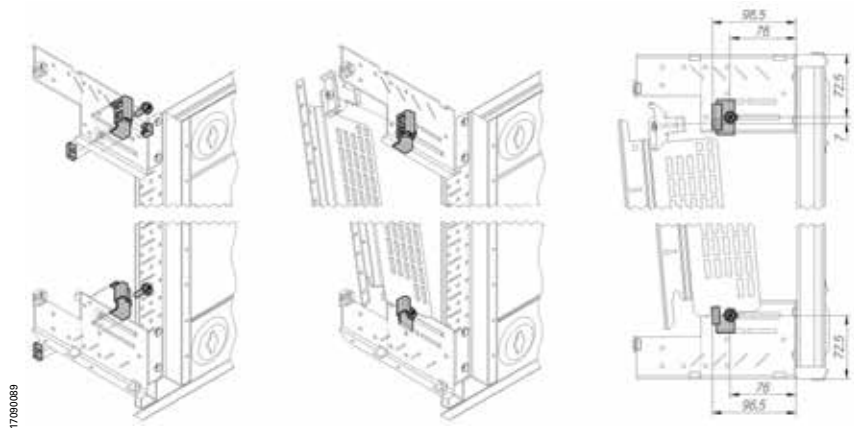


Detail



Set, BPZ-SNAP-MSW-CTS

- Designed for comfort inserting and fixing BPZ-MSW with use BPZ-SNAP to board
- Used for surface mounted boards BP-O, BPM-O and floor-standing boards BP-F, BPM-F
- Set contains top and bottom parts

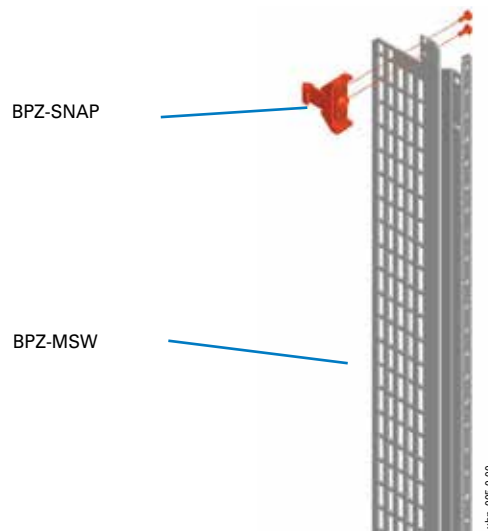


Mounting side walls, BPZ-MSW

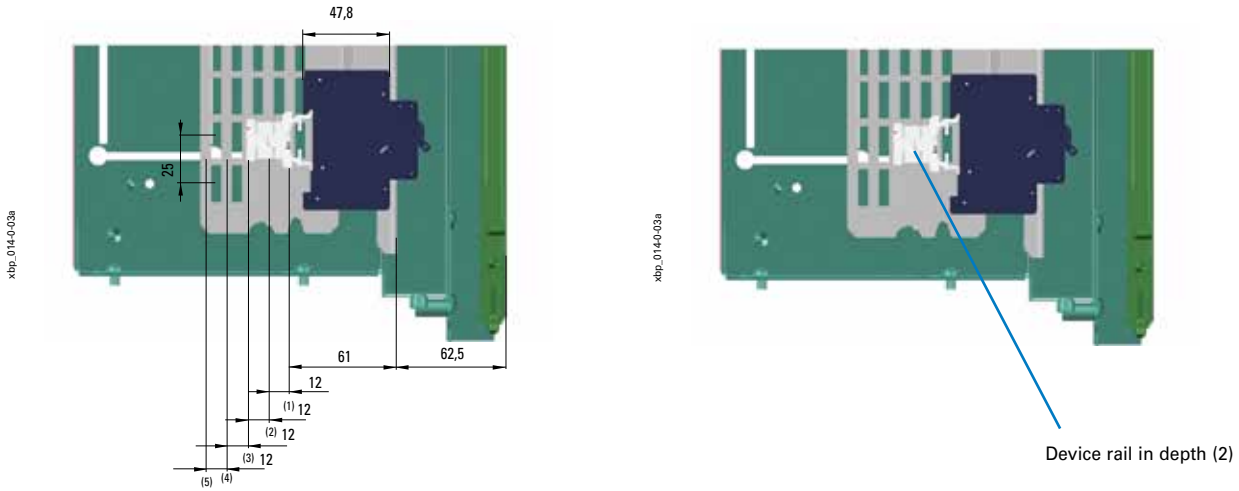
- Designed for comfort inserting and fixing BPZ-MSW with use BPZ-SNAP to board
- Mounting side walls for flush mounting boards
- Can be used also for surface mounting or floor standing boards for comfortable mounting of installation devices
- Enables mounting of inside equipment including electrical connection outside the board
- Material: Sheet steel, zinc-coated
- Scope of delivery: 2 mounting side walls

Auxiliary pawl, BPZ-SNAP

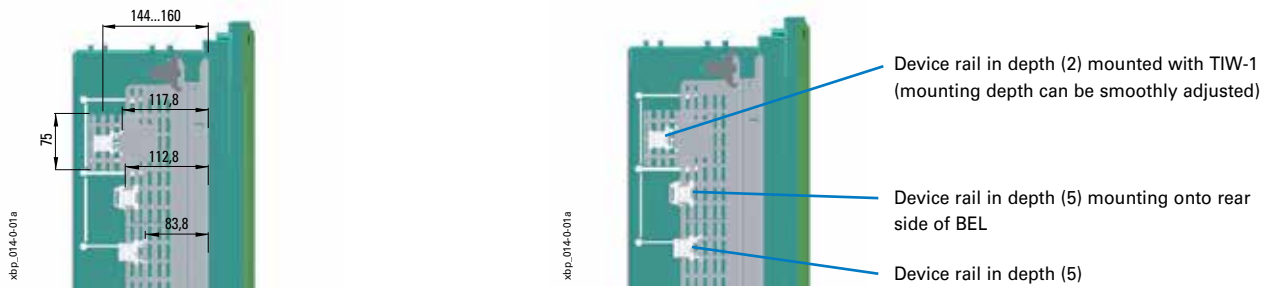
- Necessary for mounting of the BPZ-MSW frame into flush mounting boards
- Scope of delivery: 2 pawls



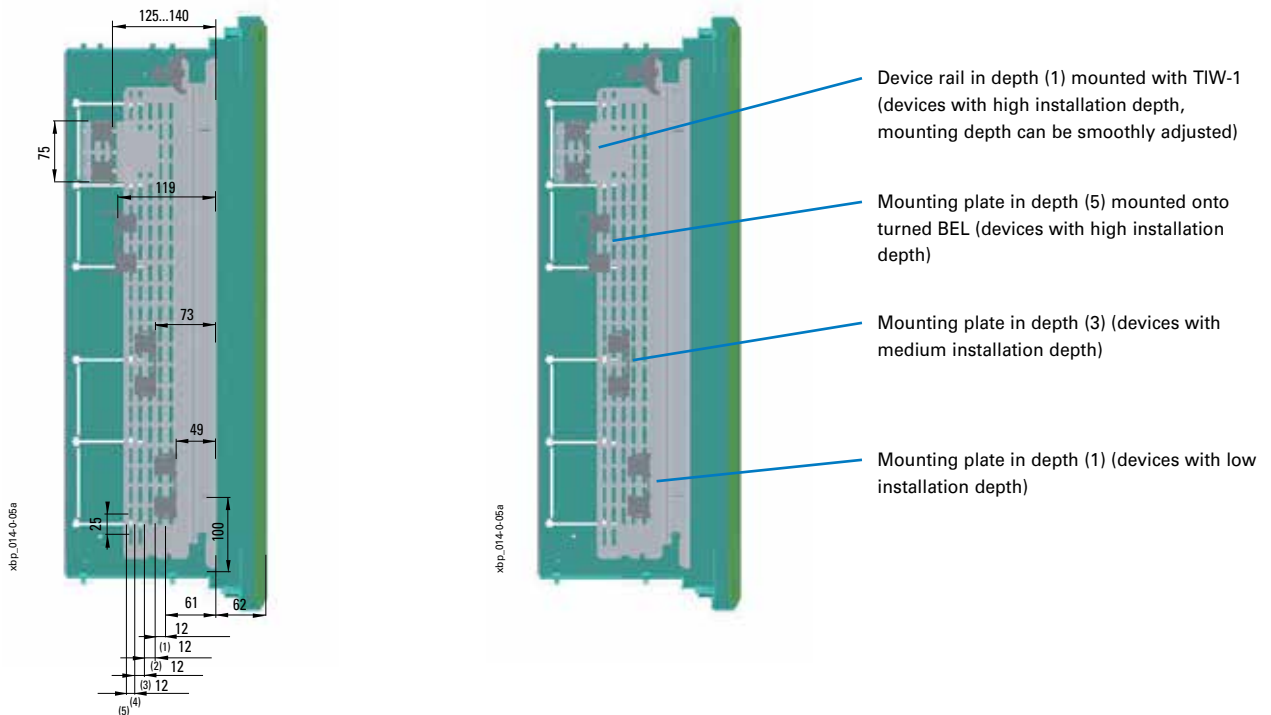
Mounting of devices with a possibility of controlling



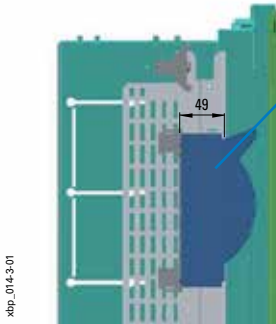
Mounting of devices under frontplate (e.g. contactors without a possibility of manual controlling)



Mounting of devices onto mounting plate



Mounting of fuse disconnectors LTS



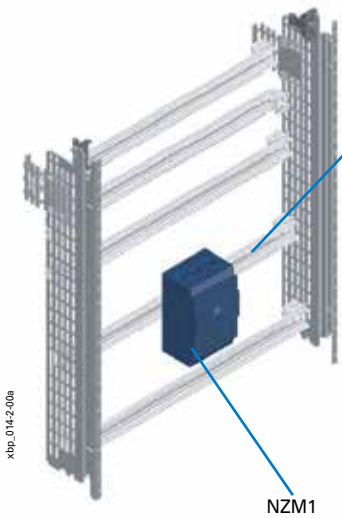
Fuse disconnector size 00:
Mounting plate BPZ-MPL180-...
in depth (1)
(mounting depth 49 mm)

Fuse disconnector size 1:
Mounting plate BPZ-MPL350-...
in depth (3)
(mounting depth 73 mm)

Fuse disconnector size 2:
Mounting plate BPZ-MPL350-...
in depth (4)
(mounting depth 85 mm)

Mounting of moulded case circuit breakers NZM1

- Mounting sets BPZ-NZM...-MSW are recommended for mounting of single breakers NZM1 and NZM2 into flush mounting boards

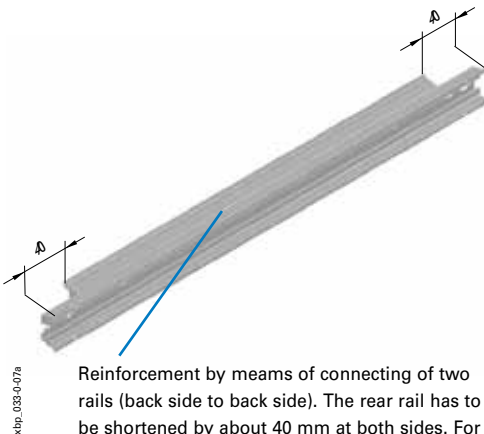


Mounting onto device rail in depth (4) (the breaker is fastened with adaptor NZM1-XC35).

It is necessary to pay attention to mechanical load of device rail – dangerous of twisting if more MCCBs is installed. In this case it is recommended to use reinforcement by means of another device rail (mounted behind the first one, the rear second rail has to be shortened appropriately).

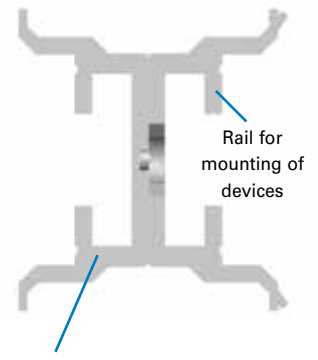
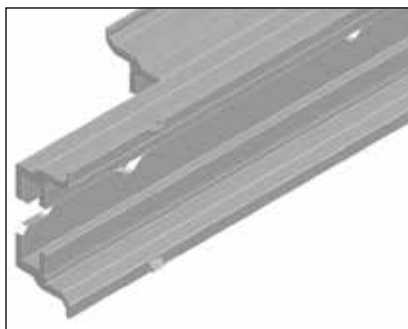
To cover, a front plate BPZ-FP...-45 with 45 mm cutout can be used.

Reinforcement of the device rail



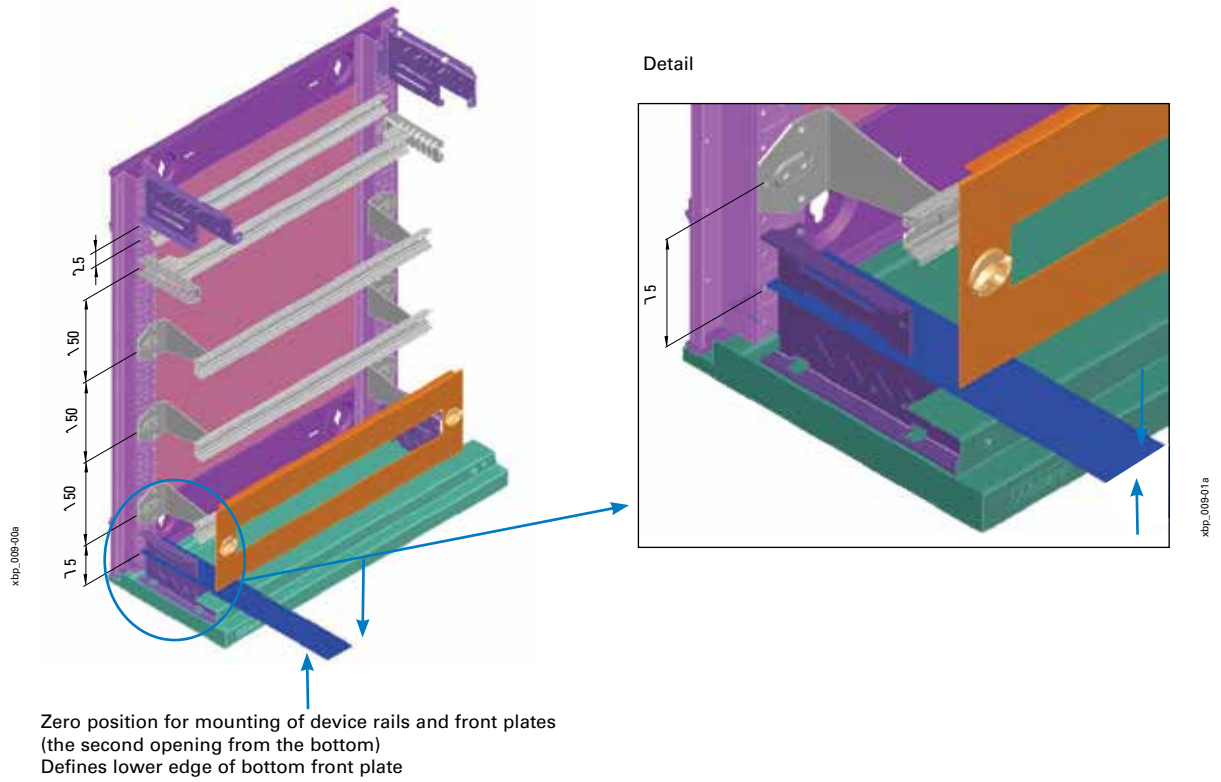
Reinforcement by means of connecting of two rails (back side to back side). The rear rail has to be shortened by about 40 mm at both sides. For connecting, the pre-drilled holes can be used.

Detail



Zero position for mounting of front plates

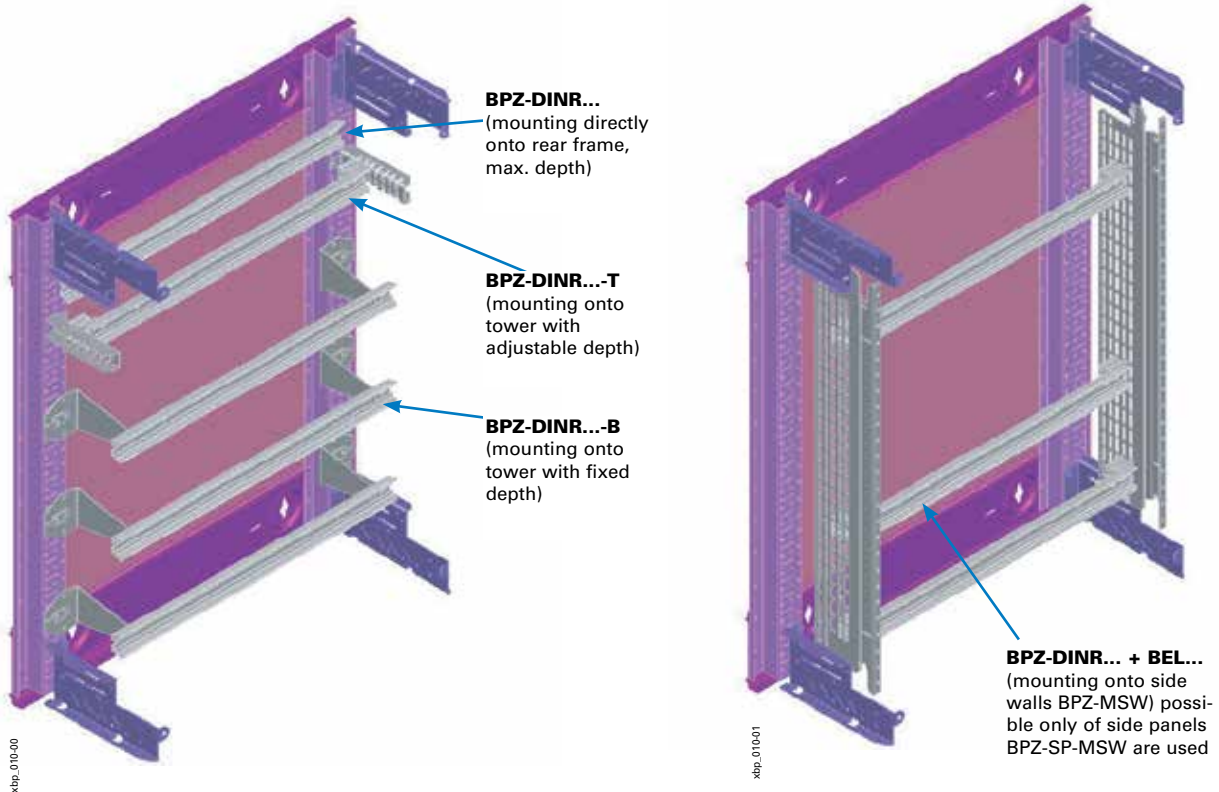
- Defines lower edge of the first bottom front plate - first step of assembly
- For standard front plate height 150 mm, the center of the first bottom device rail is located 75 mm above the zero position



Mounting of device rails

I. Rear mounting onto base frame

II. Mounting onto side walls BPZ-MSW

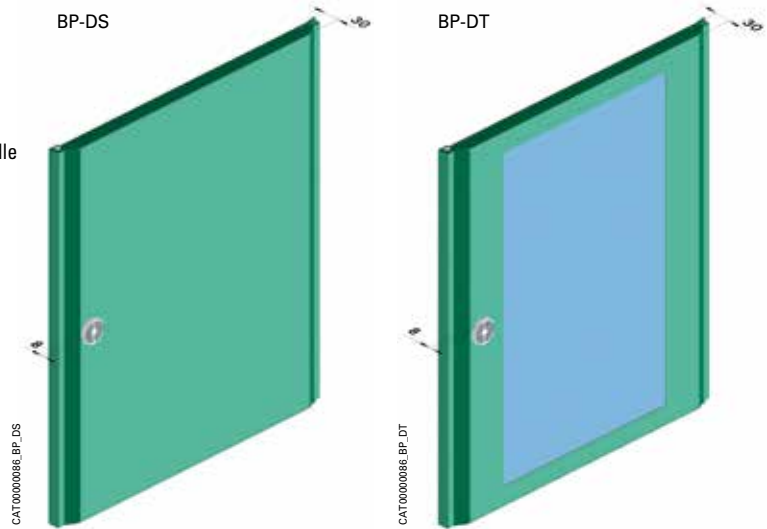


Sheet steel doors, BP-DS

- Front-mounted
- Quick mounting and removing of the door
- Right or left hinged
- Opening angle 167°
- 1-point lock through rotary lock, 3-point lock with clip down handle
- Material: sheet steel, powder-coated, RAL 7035 thickness 1 mm
- Delivered as: 1 door, set for earth connection

Transparent doors (sheet steel), BP-DT

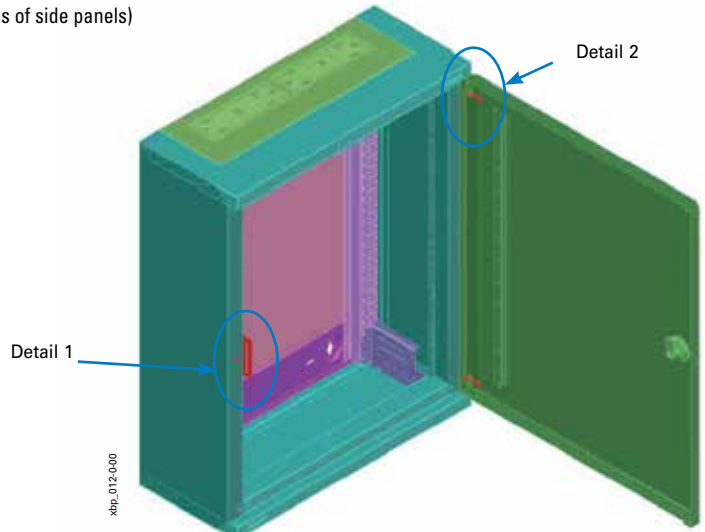
- Material: 2 mm of plexiglas



Mounting of door BP-DS

Mounting process:

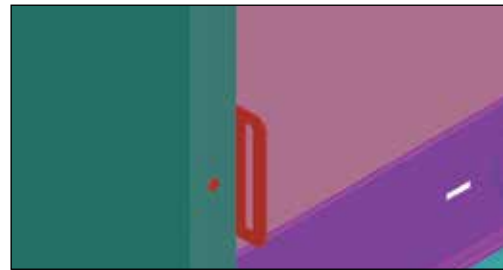
1. Mounting of lug for lock rod on the respective side (in Delivered as of side panels)
2. Inserting of door at the opening angle about 90°
3. Inserting of hinge pins
4. Fixing of the pins in plastic bracket



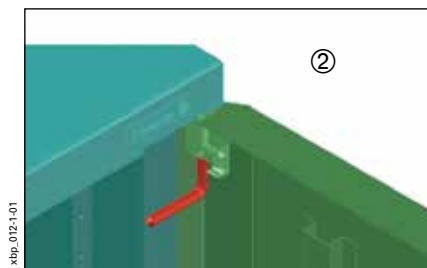
Detail 1



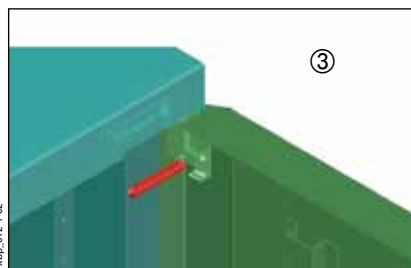
①



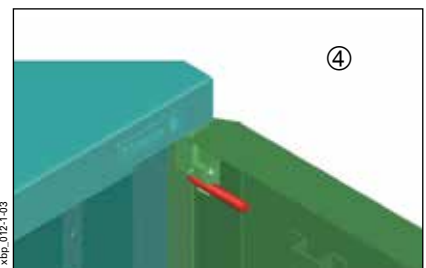
Detail 2



②



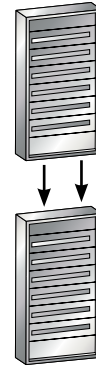
③



④

Horizontal/middle add-on connection element, BP-MFL

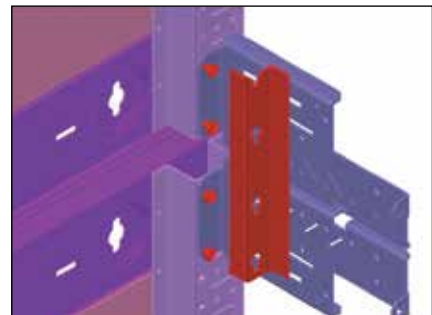
- For mounting distribution boards one on top of the other
- For surface mounting boards IP30
- Possible to combine with BP-MSL for cross combination of boards
- Material: sheet steel, powder-coated, RAL 7035
- Delivered as: 1 horizontal/middle add-on connection element,
2 mounting elements, fixing material

**Mounting process:**

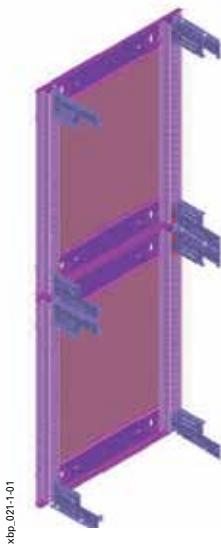
- For a pair of boards, only one set of top / bottom panels is used

1. Placing of base frames BP-MF to correct position
2. Remove of screws of towers BPZ-CTS-L at sides near to boards connection
3. Put of mounting elements on the loosened screws
4. Tightening of fixing screws
5. Assembly of connection element
6. Fixing of connection element
7. Mounting of top and bottom panels BP-TBP
8. Mounting of side walls BP-SP, BPZ-SP-MSW
9. Mounting of doors BP-DS

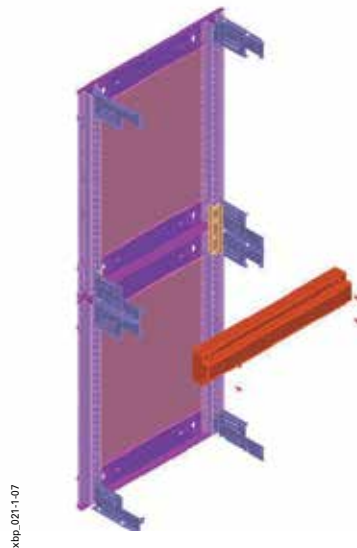
Detail



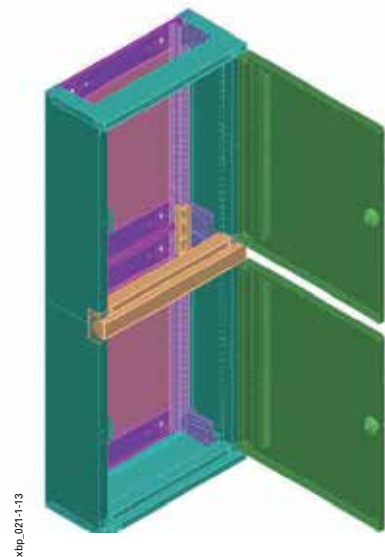
xbp_021-1-04



xbp_021-1-01



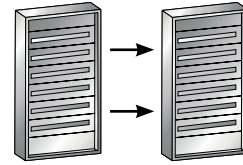
xbp_021-1-07



xbp_021-1-13

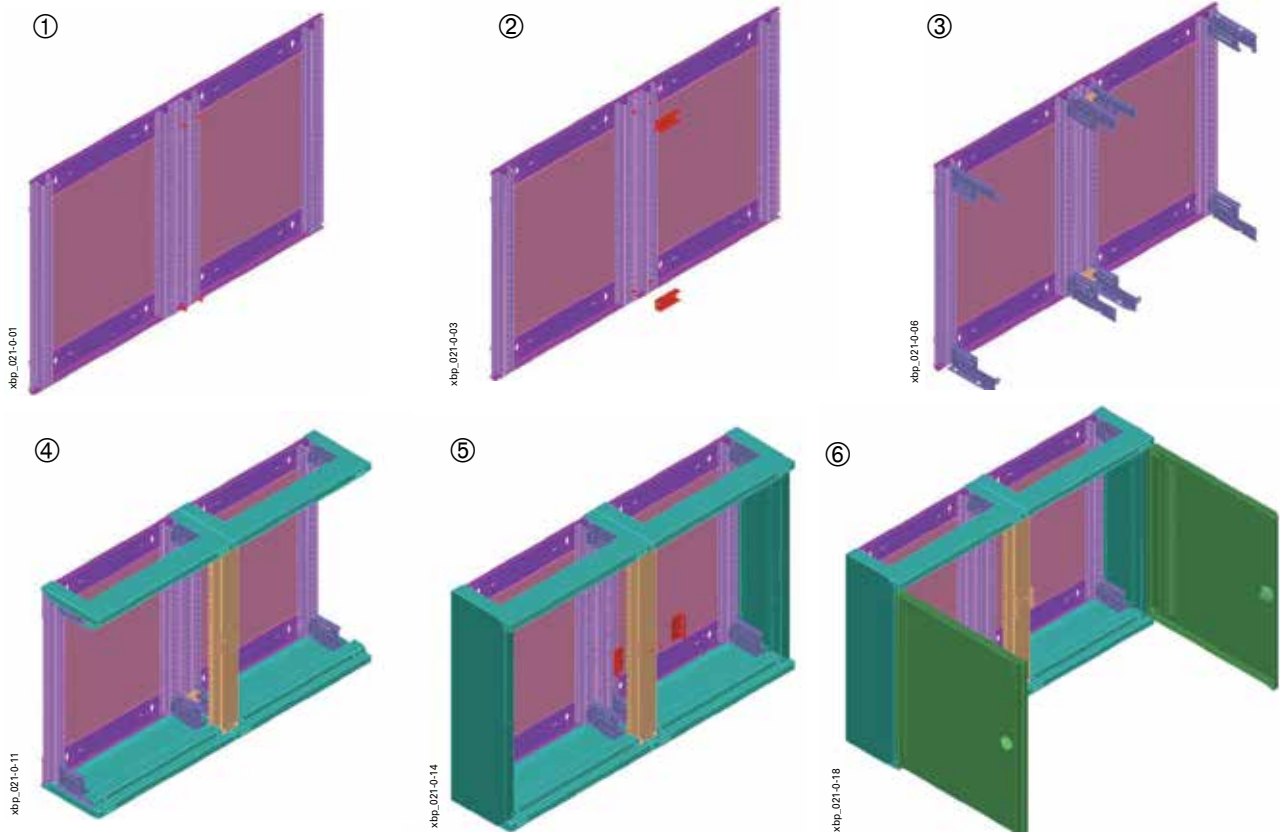
Vertical/middle add-on connection element, BP-MSL-MSW

- For mounting distribution boards one next to the other (in parallel)
- Possible to combine with BP-MFL for cross combination of boards
- Material: sheet steel, powder-coated, RAL 7035
- Delivered as: 1 vertical/middle add-on connection element,
2 mounting elements, fixing material



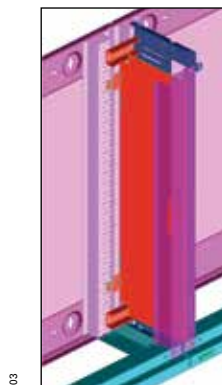
Mounting process:

- The process is identical for both BP-MSL and BP-MSL-MSW
 - For a pair of boards, only one set of side panels BPZ-SP-MSW is used
1. Placing of base frames BP-MF to correct position, pre-screwing of fixing screws
 2. Put of mounting elements and fixing of screws
 3. Mounting of towers BPZ-CTS-L onto base frame BP-MF. Towers BPZ-CTS-L are in a Delivered as of the frame BP-MF.
 4. Mounting of top and bottom panels BP-TBP and pre-screwing of add-on connection element screws. Assembly of add-on element
 5. Connected pair of boards. Mounting of lugs for locks rods
 6. Mounting of doors
- To preserve maximum opening angle, both boards have to have opposite direction of door opening



Separation panel, BPZ-ASB

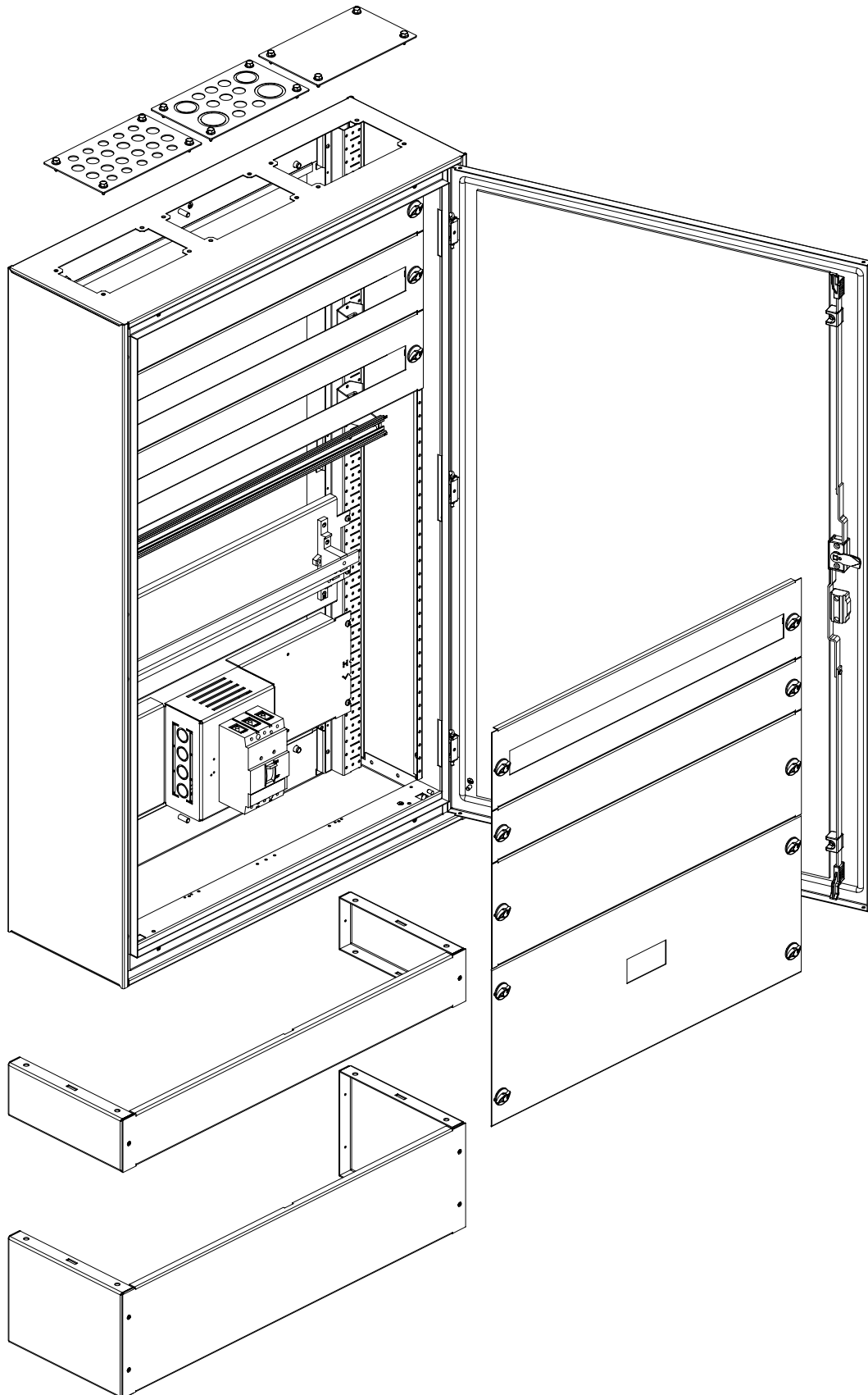
- Internal vertical separation between two sections
- Fixing on the rear frame
- Painted, grey RAL 7035



A large grid area for taking notes, consisting of a 20x30 grid of small squares.

System Overview

BPM-O-..., IP55



5.4

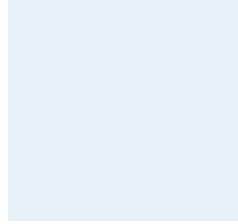
xEnergy Distribution Boards

Surface-mounted distribution board BPM-O-..., IP55

wa_vt08514



vt40917



vt39617



vt104414



Width [mm]	Height [mm]	Height int. [mm]	Pre-assembled configuration/ individual installation/ prepared for F3A-flanges on top door with two-way key bit BPZ-LOCK/DBIT3		Pre-assembled configuration/ individual installation/ prepared for F3A-flanges on top door with rotary lever BPZ-SH-L(-1P)		Pre-assembled configuration / Individual installation / Prepared for F3A-flanges on top / Without door
			RAL 7035 grey empty	RAL 9016 white empty	RAL 7035 grey empty	RAL 9016 white empty	RAL 7035 grey Empty
			Artikel-Nr. per unit unit = 1 pc.		Artikel-Nr. per unit unit = 1 pc.		Artikel-Nr. per unit unit = 1 pc.

BPM-O-..., IP55 - fully assembled

400 (13MU/row)	460	350	BPM-O-400/4 110837	BPM-O-400/4-W 111057	BPM-O-400/4-P 116653	BPM-O-400/4-P-W 300876	-
	760	650	BPM-O-400/7 110838	BPM-O-400/7-W 111058	BPM-O-400/7-P 116654	BPM-O-400/7-P-W 300877	-
	1060	950	BPM-O-400/10 110839	BPM-O-400/10-W 111059	BPM-O-400/10-P 116655	BPM-O-400/10-P-W 300878	-
	1260	1150	BPM-O-400/12 111020	BPM-O-400/12-W 111060	BPM-O-400/12-P 116656	BPM-O-400/12-P-W 300879	-
	1560	1450	BPM-O-400/15 111021	-	BPM-O-400/15-P 116657	BPM-O-400/15-P-W 300880	-
600 (24MU/row)	460	350	BPM-O-600/4 111022	BPM-O-600/4-W 111062	BPM-O-600/4-P 116658	BPM-O-600/4-P-W 300881	-
	760	650	BPM-O-600/7 111023	BPM-O-600/7-W 111063	BPM-O-600/7-P 116659	BPM-O-600/7-P-W 300882	BPM-O-600/7-F 174358
	1060	950	BPM-O-600/10 111024	BPM-O-600/10-W 111064	BPM-O-600/10-P 116660	BPM-O-600/10-P-W 300883	BPM-O-600/10-F 174359
	1260	1150	BPM-O-600/12 111025	BPM-O-600/12-W 111065	BPM-O-600/12-P 116661	BPM-O-600/12-P-W 300884	BPM-O-600/12-F 174360
	1560	1450	BPM-O-600/15 111026	-	BPM-O-600/15-P 116662	BPM-O-600/15-P-W 300885	BPM-O-600/15-F 174361
800 (35MU/row)	460	350	BPM-O-800/4 111027	BPM-O-800/4-W 111067	BPM-O-800/4-P 116663	BPM-O-800/4-P-W 300886	-
	760	650	BPM-O-800/7 111028	BPM-O-800/7-W 111068	BPM-O-800/7-P 116664	BPM-O-800/7-P-W 300887	-
	1060	950	BPM-O-800/10 111029	BPM-O-800/10-W 111069	BPM-O-800/10-P 116665	BPM-O-800/10-P-W 300888	BPM-O-800/10-F 174364
	1260	1150	BPM-O-800/12 111030	BPM-O-800/12-W 111070	BPM-O-800/12-P 116666	BPM-O-800/12-P-W 300889	BPM-O-800/12-F 174365
	1560	1450	BPM-O-800/15 111031	-	BPM-O-800/15-P 116667	BPM-O-800/15-P-W 300890	BPM-O-800/15-F 174366
1000 (46MU/row)	1060	950	BPM-O-1000/10 111032	BPM-O-1000/10-W 111072	BPM-O-1000/10-P 116668	BPM-O-1000/10-P-W 300891	BPM-O-1000/10-F 193229
	1260	1150	BPM-O-1000/12 111033	BPM-O-1000/12-W 111073	BPM-O-1000/12-P 116669	BPM-O-1000/12-P-W 300892	BPM-O-1000/12-F 193230
	1560	1450	BPM-O-1000/15 111034	-	BPM-O-1000/15-P 116670	BPM-O-1000/15-P-W 300893	BPM-O-1000/15-F 174369
1200 (57MU/row)	1260	1150	BPM-O-1200/12 111035	BPM-O-1200/12-W 111075	BPM-O-1200/12-P 116671	BPM-O-1200/12-P-W 300894	BPM-O-1200/12-F 193231
	1560	1450	BPM-O-1200/15 111036	-	BPM-O-1200/15-P 116672	BPM-O-1200/15-P-W 300895	BPM-O-1200/15-F 193232



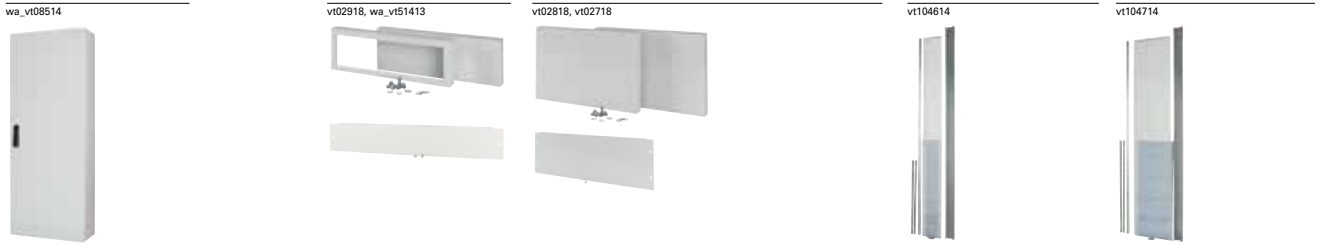
Blatt metal door / Clip-down handle	Blatt metal door (transparent) / Clip-down handle	Plinth 100 mm / Side parts 1 pair / Front cover		Installation back frame / Frontplate support	MSW installation / Corner tower set / 2 pcs. needed / Snap element set	MSW installation / Mounting side wall / (MSW) with SNAP- element BPZ-SNAP
RAL grey 7035	RAL grey 7035	RAL grey 7035	RAL white 9016			
Artikel-Nr. per unit unit = 1 pc.	Artikel-Nr. per unit unit = 1 pc.	Artikel-Nr. per unit unit = 1 pc.	Artikel-Nr. per unit unit = 1 pc.	Artikel-Nr. per unit unit = 1 pc.	Artikel-Nr. per unit unit = 1 pc.	Artikel-Nr. per unit unit = 1 pc.

	BPZ-DMT-400/4-P 173575	BPZ-SS-1/270 119167	BPZ-SS-1/270-W 119173	BPZ-FPS/350 112343	BPZ-CTS-S 106445	BPZ-MSW-4/SNAP 112284
	BPZ-DMT-400/7-P 173576	BPZ-FS-400/1 293493	BPZ-FS-400/1-W 293494	BPZ-FPS/650 112344	BPZ-SNAP-MSW-CTS 131559	BPZ-MSW-7/SNAP 112285
	BPZ-DMT-400/10-P 173577			BPZ-FPS/950 112345		BPZ-MSW-10/SNAP 112286
	BPZ-DMT-400/12-P 173578			BPZ-FPS/1150 112346		BPZ-MSW-12/SNAP 112287
	BPZ-DMT-400/15-P 173579			BPZ-FPS/1450 112347		BPZ-MSW-15/SNAP 112288
	BPZ-DMT-600/4-P 173580	BPZ-SS-1/270 119167	BPZ-SS-1/270-W 119173	BPZ-FPS/350 112343	BPZ-CTS-S 106445	BPZ-MSW-4/SNAP 112284
BPZ-DMS-600/7-P 174372	BPZ-DMT-600/7-P 173581	BPZ-FS-600/1 293497	BPZ-FS-600/1-W 293498	BPZ-FPS/650 112344	BPZ-SNAP-MSW-CTS 131559	BPZ-MSW-7/SNAP 112285
BPZ-DMS-600/10-P 174373	BPZ-DMT-600/10-P 173582			BPZ-FPS/950 112345		BPZ-MSW-10/SNAP 112286
BPZ-DMS-600/12-P 174374	BPZ-DMT-600/12-P 173583			BPZ-FPS/1150 112346		BPZ-MSW-12/SNAP 112287
BPZ-DMS-600/15-P 174341	BPZ-DMT-600/15-P 173584			BPZ-FPS/1450 112347		BPZ-MSW-15/SNAP 112288
	BPZ-DMT-800/4-P 173587	BPZ-SS-1/270 119167	BPZ-SS-1/270-W 119173	BPZ-FPS/350 112343	BPZ-CTS-S 106445	BPZ-MSW-4/SNAP 112284
	BPZ-DMT-800/7-P 173588	BPZ-FS-800/1 293501	BPZ-FS-800/1-W 293502	BPZ-FPS/650 112344	BPZ-SNAP-MSW-CTS 131559	BPZ-MSW-7/SNAP 112285
BPZ-DMS-800/10-P 174344	BPZ-DMT-800/10-P 173589			BPZ-FPS/950 112345		BPZ-MSW-10/SNAP 112286
BPZ-DMS-800/12-P 174345	BPZ-DMT-800/12-P 173590			BPZ-FPS/1150 112346		BPZ-MSW-12/SNAP 112287
BPZ-DMS-800/15-P 174346	BPZ-DMT-800/15-P 173591			BPZ-FPS/1450 112347		BPZ-MSW-15/SNAP 112288
BPZ-DMS-400/10-L+BPZ-DMS-600/10-R-P 193233 + 193234	BPZ-DMT-400/10-L+BPZ-DMT-600/10-R-P 193241+193242	BPZ-SS-1/270 119167	BPZ-SS-1/270-W 119173	BPZ-FPS/950 112345	BPZ-CTS-S 106445	BPZ-MSW-4/SNAP 112284
BPZ-DMS-400/12-L+BPZ-DMS-600/12-R-P 193235 + 193237	BPZ-DMT-400/12-L+BPZ-DMT-600/12-R-P 193243+193245	BPZ-FS-1000/1 293505	BPZ-FS-1000/1-W 293506	BPZ-FPS/1150 112346	BPZ-SNAP-MSW-CTS 131559	BPZ-MSW-7/SNAP 112285
BPZ-DMS-400/15-L+BPZ-DMS-600/15-R-P 193238 + 193240	BPZ-DMT-400/15-L+BPZ-DMT-600/15-R-P 193246+193248			BPZ-FPS/1450 112347		BPZ-MSW-10/SNAP 112286
BPZ-DMS-600/12-L+BPZ-DMS-600/12-R-P 193236 + 193237	BPZ-DMT-600/12-L+BPZ-DMT-600/12-R-P 193244+193245	BPZ-SS-1/270 119167	BPZ-SS-1/270-W 119173	BPZ-FPS/1150 112346	BPZ-CTS-S 106445	BPZ-MSW-12/SNAP 112287
BPZ-DMS-600/15-L+BPZ-DMS-600/15-R-P 193239 + 193240	BPZ-DMT-600/15-L+BPZ-DMT-600/15-R-P 193247+193248	BPZ-FS-1200/1 293509	BPZ-FS-1200/1-W 293510	BPZ-FPS/1450 112347	BPZ-SNAP-MSW-CTS 131559	BPZ-MSW-15/SNAP 112288

5.4

xEnergy Distribution Boards

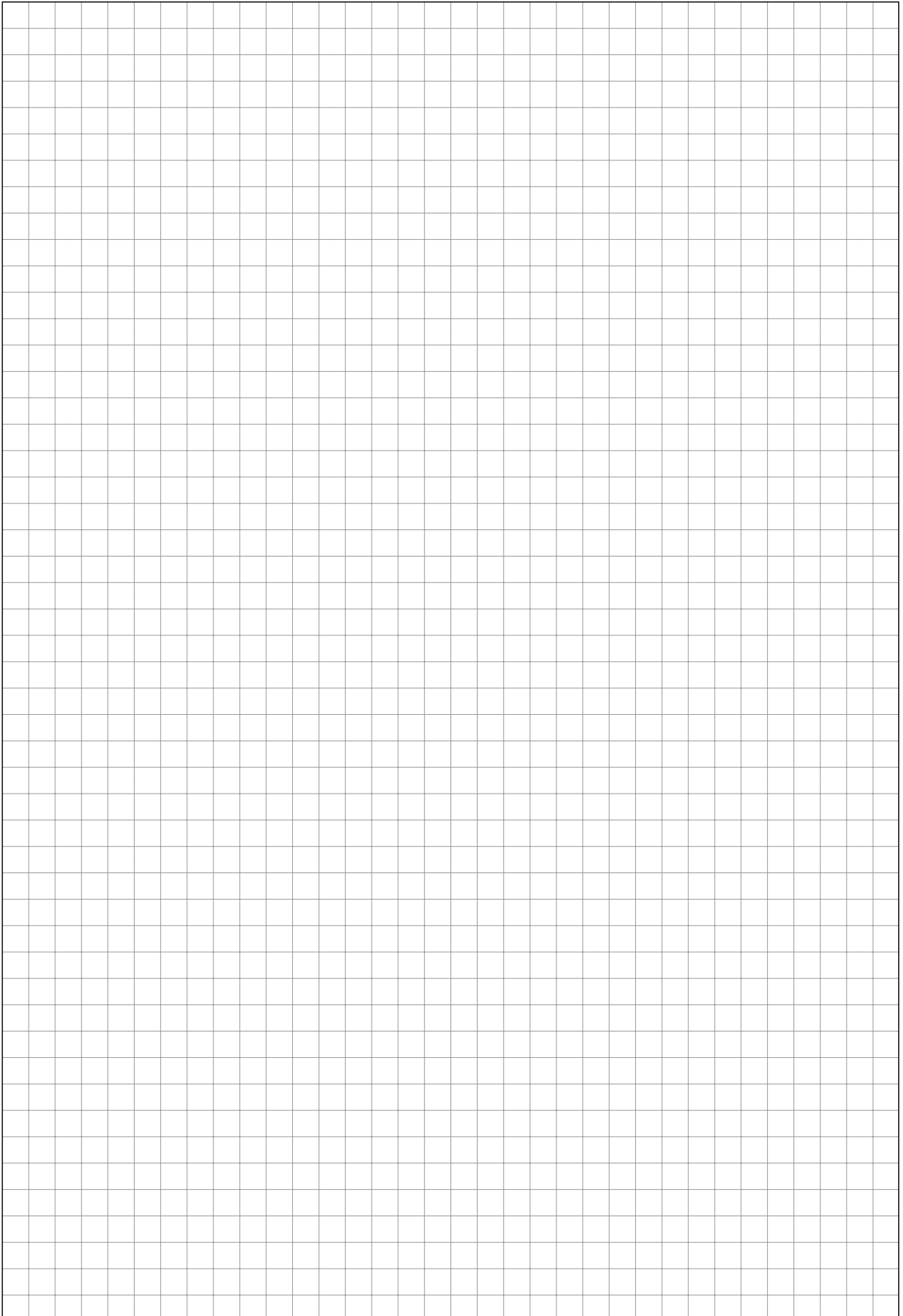
Surface-mounted distribution board BPM-O-..., IP55



Width [mm]	Height [mm]	Height int. [mm]	Plinth 100 mm / Side parts 1 pair open-open for cable guiding between the sections / Front cover	Plinth 200 mm / Side parts 1 pair / Front cover	Internal cable duct as complete kit for shared composition incl. mounting pillars, compartment door and protective cover
			grey RAL 7035	grey RAL 7035	white RAL 9016
			Article No. per unit unit = 1 pc.	Article No. per unit unit = 1 pc.	Article No. per unit unit = 1 pc.

BPM-O-..., IP55 - fully assembled

Width [mm]	Height [mm]	Height int. [mm]	Article No. per unit unit = 1 pc.	Article No. per unit unit = 1 pc.	Article No. per unit unit = 1 pc.	Article No. per unit unit = 1 pc.
400 (13MU/row)	460	350	BPZ-SS-1/270/SET/00 174352	BPZ-SS-2/270 119171	BPZ-SS-2/270-W 119175	-
	760	650	BPZ-FS-400/1 293493	BPZ-FS-400/2 293495	BPZ-FS-400/2 293495	-
	1060	950				-
	1260	1150				-
	1560	1450				-
600 (24MU/row)	460	350	BPZ-SS-1/270/SET/00 174352	BPZ-SS-2/270 119171	BPZ-SS-2/270-W 119175	-
	760	650	BPZ-FS-600/1 293497	BPZ-FS-600/2 293499	BPZ-FS-600/2 293499	-
	1060	950				-
	1260	1150				-
	1560	1450				-
800 (35MU/row)	460	350	BPZ-SS-1/270/SET/00 174352	BPZ-SS-2/270 119171	BPZ-SS-2/270-W 119175	-
	760	650	BPZ-FS-800/1 293501	BPZ-FS-800/2 293503	BPZ-FS-800/2 293503	-
	1060	950				-
	1260	1150				-
	1560	1450				BPZ-ICD-200/15 174353
1000 (46MU/row)	1060	950	BPZ-SS-1/270/SET/00 174352	BPZ-SS-1/270 119167	BPZ-SS-2/270-W 119175	-
	1260	1150	BPZ-FS-1000/1 293505	BPZ-FS-1000/2 293507	BPZ-FS-1000/2 293507	-
	1560	1450				BPZ-ICD-400/15 174356
1200 (57MU/row)	1260	1150	BPZ-SS-1/270/SET/00 174352	BPZ-SS-1/270 119167	BPZ-SS-2/270-W 119175	-
	1560	1450	BPZ-FS-1200/1 293509	BPZ-FS-1200/2 293511	BPZ-FS-1200/2 293511	-



Description

BPM-O..., IP55, enclosure depth 270 mm

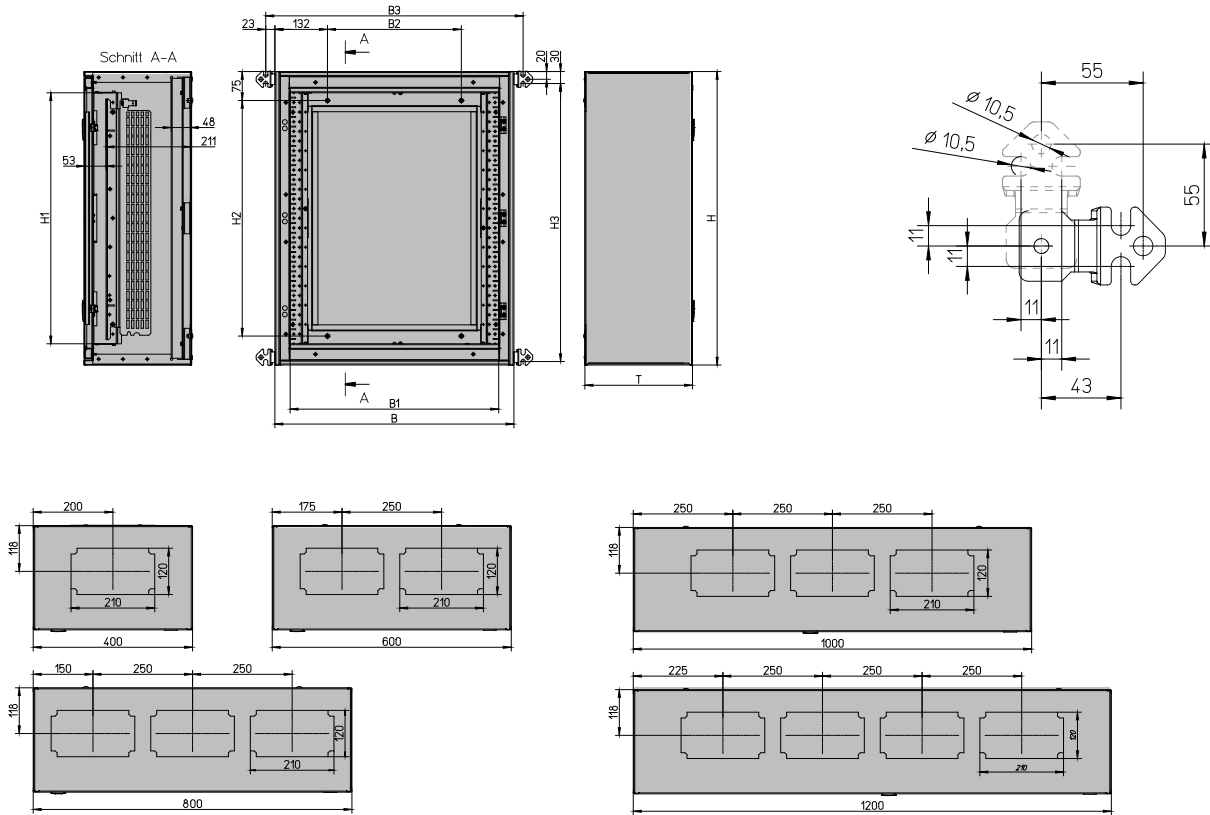
- Complete cabinets prepared for Profi+ installation system
- Degree of protection IP55
- Impact resistance IK10
- Protection class I (protective earth)
- Cable entry prepared for F3A flange
- The enclosure can be rotated by 180°
- Quick and easy change of the hinge direction, door opening angle 100°
- Two-way key bit or rotary lever
- Direct wall mounting possible, wall-fixing brackets optionally included in the accessories
- Enclosure made from powder-coated sheet steel, RAL 7035 / RAL 9016
- Variable interior installation either with "Mounting base frame" or "Mounting side panel" (MSW)

Technical data

BPM-O...	
Electrical	
Type conforms to	IEC/EN 62208
Protection class	I (protective earth)
Degree of protection	IP55 (closed version with door/flansche) IP2XC (open door, the installation level is properly protected with EP covers)
Impact resistance	IK10
Rated operational voltage	415 VAC / 50Hz
Rated current	Max. 630 A (depending on the type of incoming circuit breaker or the busbar system being used)
Earthing concept for the enclosure	
Main earthing	By means of M8 welding bolts
Door earthing	By means of M6 welding bolts
The permissible temperature increases for switchgear assemblies with a rated current of up to 630 A can be evaluated in accordance with section 10.10.4.2 of IEC/EN 61439-1.	
For the maximum permissible heat dissipation for all devices inside the distribution board at an ambient temperature of 35° C and ΔT of 20 K / 35 K at an enclosure height of 75 %, please refer to the table on enclosure dimensions; (calculation method acc.to IEC/TR 60890).	
Mechanical	
Enclosure	Excellent stability thanks to the welded construction
Material	Sheet steel 1.25 mm, phosphated and polyester powder coated (structured) with corrosion protection
Colour	Traffic white, RAL 9016 / Light grey RAL 7035
Door	With encircling foamed sealing, hinges on the inside, door opening angle ~100° Doors with transparent window individually configurable, hinged either left or right Width 1000 / 1200 mm in double-wing design
Type	Flexible interior fitting with installation units Profi+ on base frame or „mounting side panel“ (MSW) Mounting base frame: multi-layer construction, installation directly in the enclosure, robust and structured Mounting side panel (MSW): removable mounting insert, external installation, fast and reliable
Locking mechanism	Standard locking with two-way key bit (metal) respectively rotary lever (optional lock cylinder as accessory) Three-point locking mechanism from height 1060 mm (one-point respectively two-point at height 460 / 760 mm)
Cable entry	Open, prepared for F3A flanges on one sides (top/bottom)
Ambient condition	Indoor installation (wall mounting) Max. ambient temperature +40° C Min. ambient temperature -5° C
Halogen-free, RoHS	< 1%, yes
Accessories	Wall-fixing brackets for wall mounting, a 100/200 mm base if used as a floor-standing cabinet, Lock cylinder as insert for rotary lever, several F3A flanges for cable entry
Delivered as	Complete cabinet prepared for „Mounting base frame“ or „MSW“ (depending on interior fitting all corresponding parts for „Mounting base frame“ respectively „MSW“ have to be ordered separately)

Dimensions (mm)

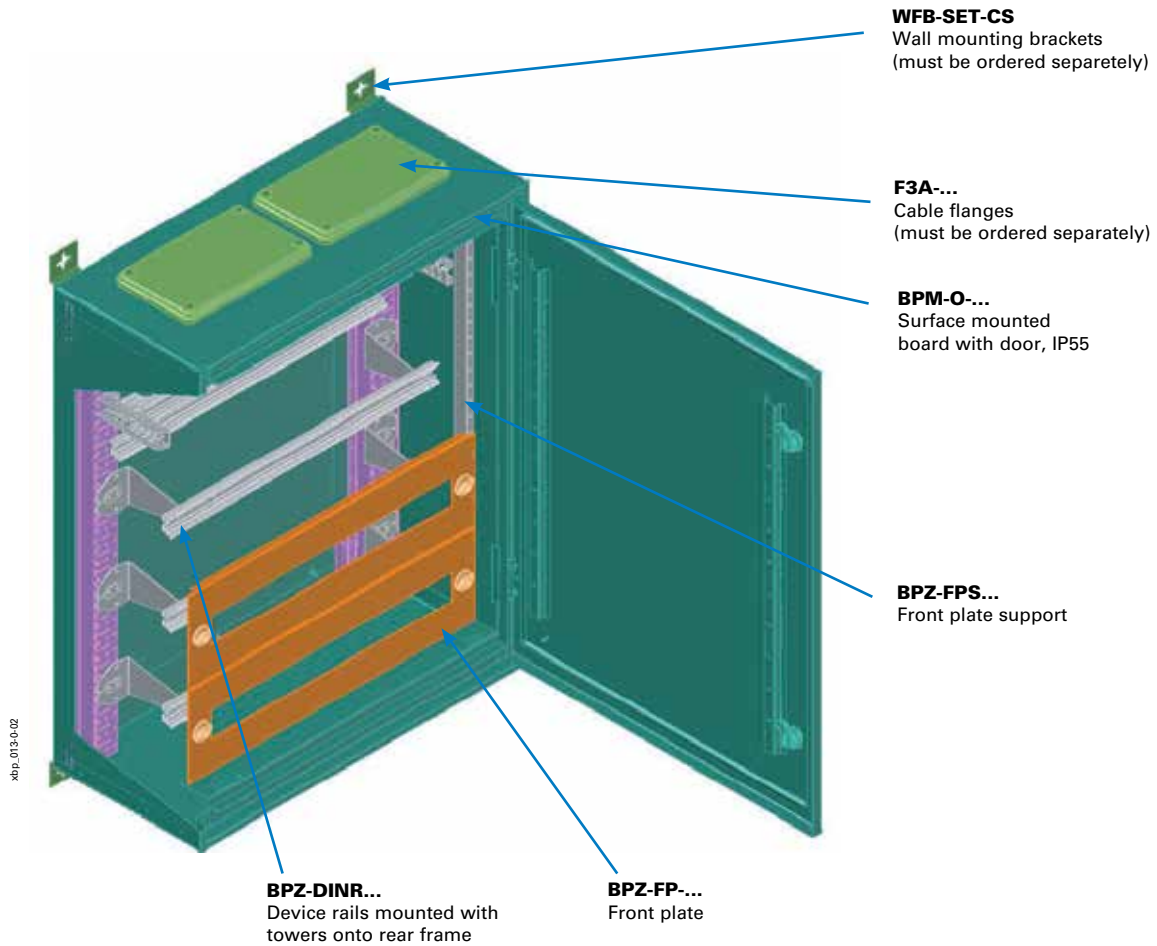
BPM-O-..., IP55, enclosure depth 270 mm



Type	Overall dimensions			Internal dimensions (front plate)		Wall mounting (Enclosure directly)		Wall mounting (via fixing bracket set)		Pv [W] (ΔT 20K)	Pv [W] (ΔT 35K)
	Width B	Height H	Depth T	Width B1	Height H1	Width B2	Height H2	B3	H3	[W]	[W]
BPM-O-400/4	400	460	270	320	350	136	310	446	420	40	79
BPM-O-400/7	400	760	270	320	650	136	610	446	720	54	109
BPM-O-400/10	400	1060	270	320	950	136	910	446	1020	54	109
BPM-O-400/12	400	1260	270	320	1150	136	1110	446	1220	58	117
BPM-O-400/15	400	1560	270	320	1450	136	1410	446	1520	67	135
BPM-O-600/4	600	460	270	520	350	336	310	646	420	54	108
BPM-O-600/7	600	760	270	520	650	336	610	646	720	71	143
BPM-O-600/10	600	1060	270	520	950	336	910	646	1020	71	143
BPM-O-600/12	600	1260	270	520	1150	336	1110	646	1220	82	165
BPM-O-600/15	600	1560	270	520	1450	336	1410	646	1520	109	219
BPM-O-800/4	800	460	270	720	350	536	310	846	420	68	137
BPM-O-800/7	800	760	270	720	650	536	610	846	720	76	153
BPM-O-800/10	800	1060	270	720	950	536	910	846	1020	98	196
BPM-O-800/12	800	1260	270	720	1150	536	1110	846	1220	122	244
BPM-O-800/15	800	1560	270	720	1450	536	1410	846	1520	141	283
BPM-O-1000/10	1000	1060	270	920	950	736	910	1046	1020	135	272
BPM-O-1000/12	1000	1260	270	920	1150	736	1110	1046	1220	151	304
BPM-O-1000/15	1000	1560	270	920	1450	736	1410	1046	1520	187	375
BPM-O-1200/12	1200	1260	270	1120	1150	936	1110	1246	1220	191	383
BPM-O-1200/15	1200	1560	270	1120	1450	936	1410	1246	1520	215	431

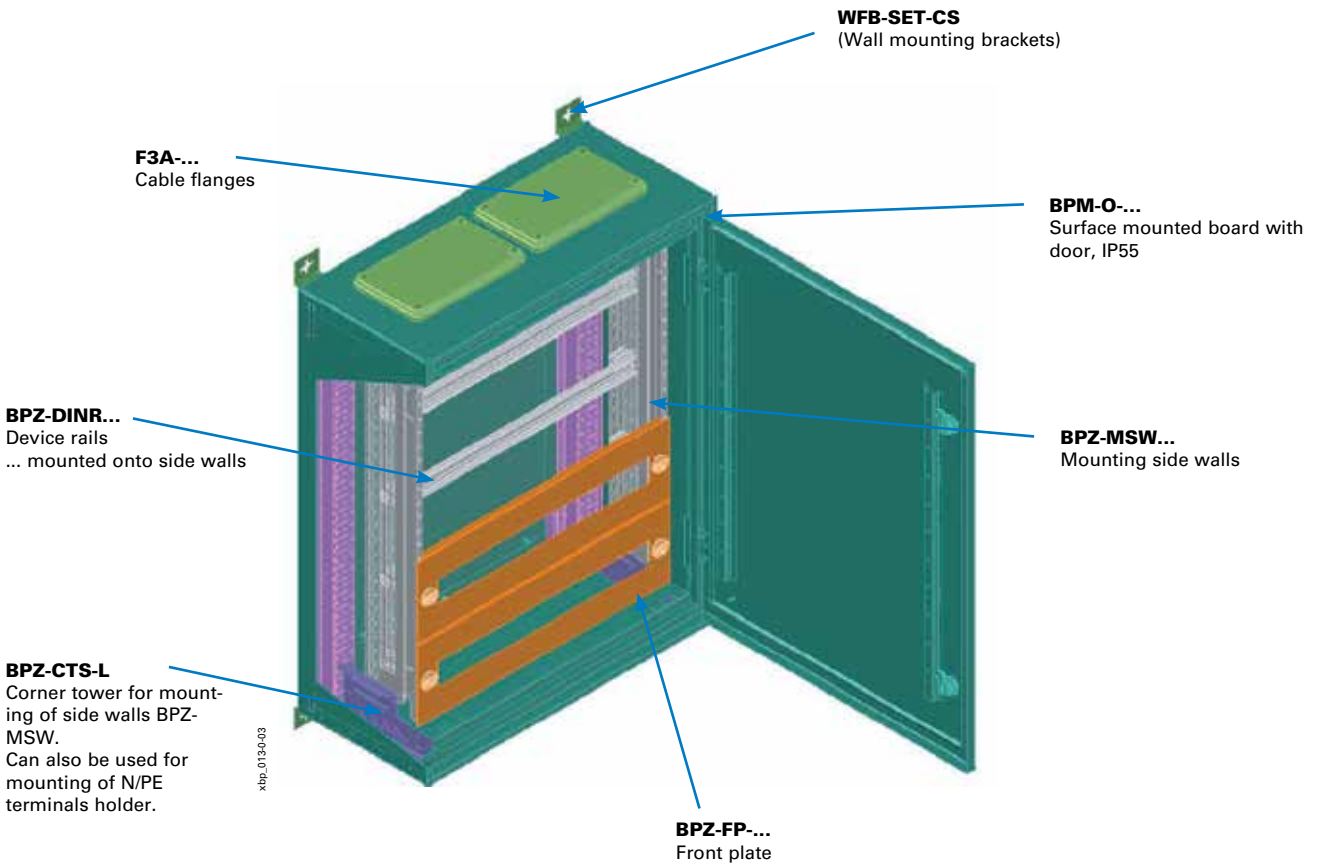
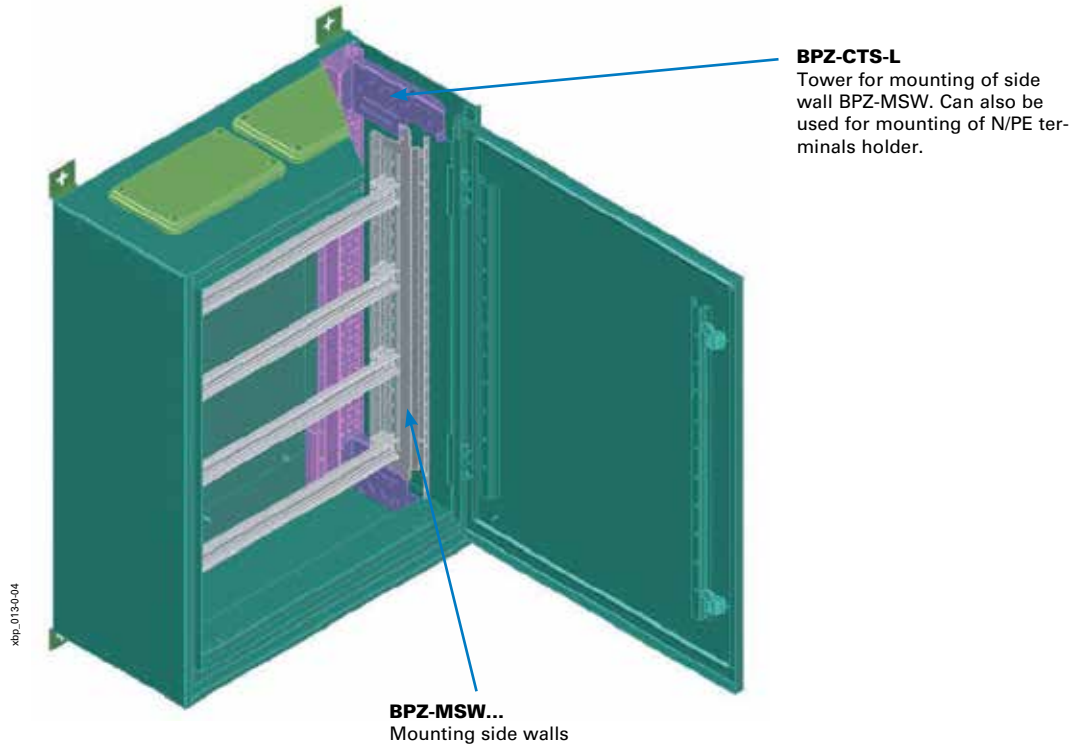
Mounting of device rails onto rear frame (without mounting frame BPZ-MSW)

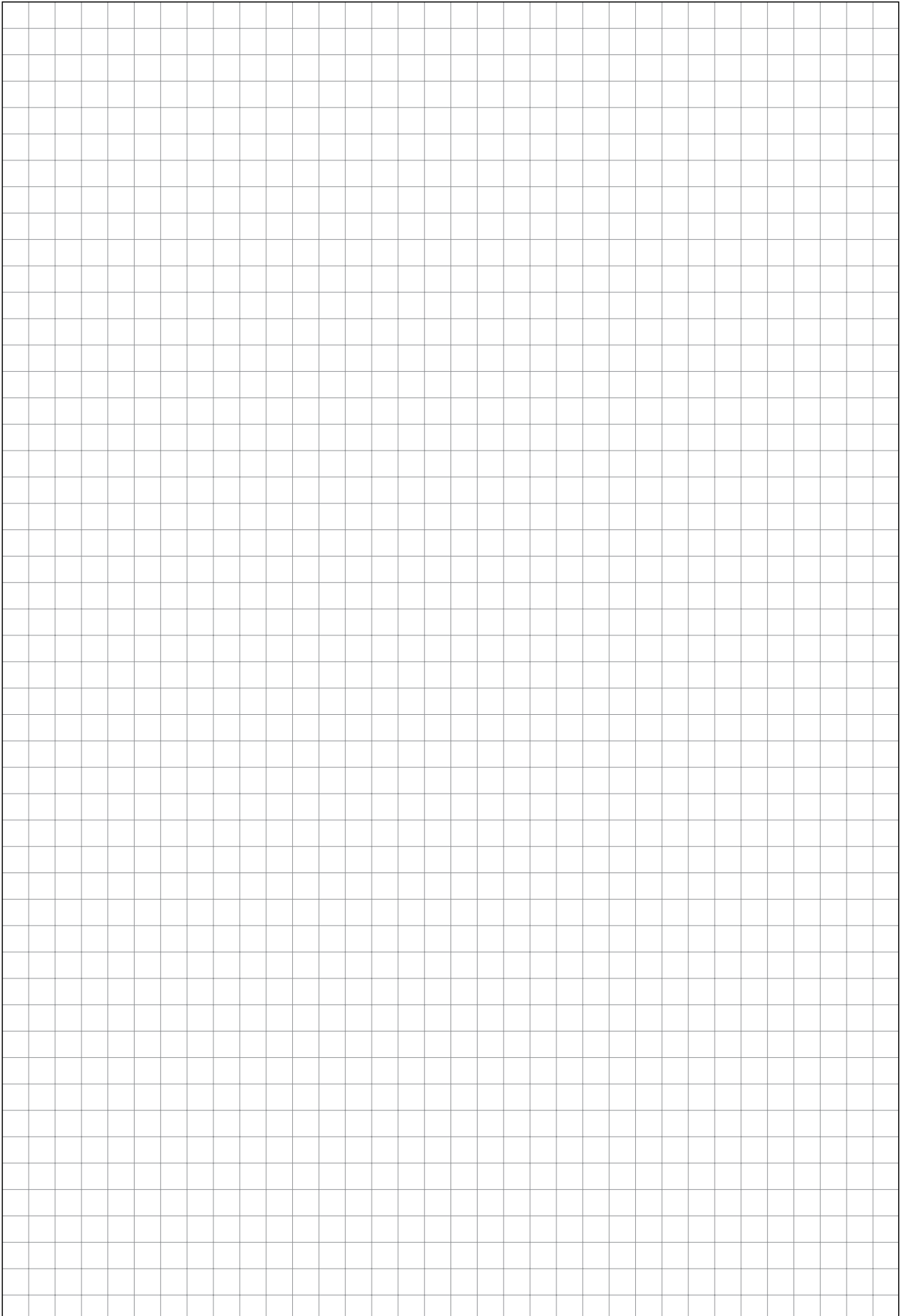
- Front plates are mounted onto supports BPZ-FPS (not in Delivered as of BPM-O board)
- Welded construction, side panels of the cover cannot be unmounted



Mounting of device rails with mounting frame BPZ-MSW

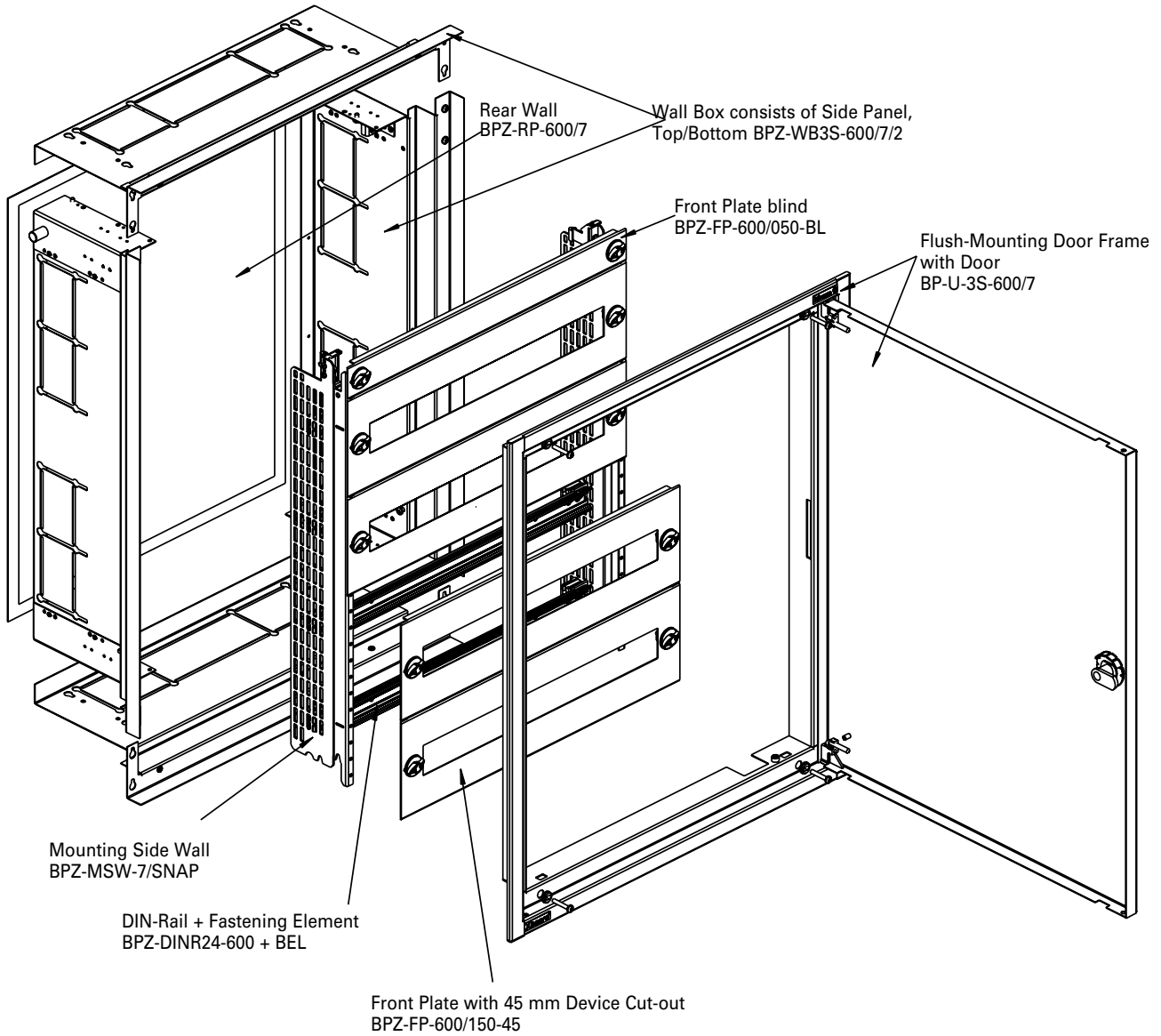
- Mounting onto corner towers BPZ-CTS-L (not in Delivered as of BPM-O board)
- The mounting process of side walls BPZ-MSW is identical with version IP30
- Front plates are mounted directly onto BPZ-MSW
- Welded construction, side panels of the cover cannot be unmounted





System Overview

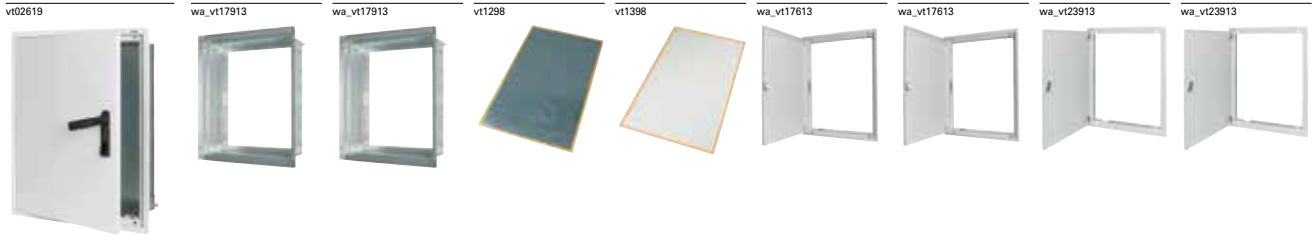
BP(A/M)-U-3S-..., IP30/IP43/IP54



5.5

xEnergy Distribution Boards

Flush-mounted distribution board BP(A/M)-U-3S-..., IP30/IP43/IP54

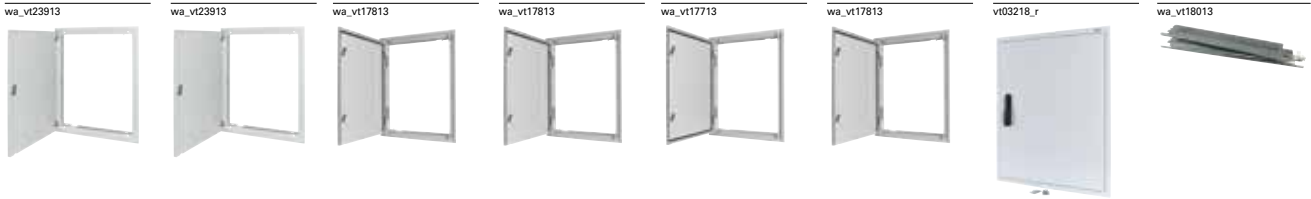


Width [mm]	Height [mm]	Height int. [mm]	Wall box for 3-step / System dedicated for MSW installation / Depth 1 (180 mm) / Galvanized sheet-steel	Depth 2 (240 mm) / Blank empty	Rear panel for 3-step / System galvanized / Sheet-steel installation / blank	plastic / RAL 7035 grey	Flush-mounting door frame for 3-step design designed for indoor applications! / Degree of protection IP30 / Door with rotary handle / RAL 7035 grey	Door with clip-down handle / RAL 9016 white	Door with clip-down handle / RAL 7035 grey	Door with clip-down handle / RAL 9016 white
Article No. per unit unit = 1 pc.	Article No. per unit unit = 1 pc.	Article No. per unit unit = 1 pc.	Article No. per unit unit = 1 pc.	Article No. per unit unit = 1 pc.	Article No. per unit unit = 1 pc.	Article No. per unit unit = 1 pc.	Article No. per unit unit = 1 pc.	Article No. per unit unit = 1 pc.	Article No. per unit unit = 1 pc.	Article No. per unit unit = 1 pc.

BP(A/M)-U-3S... - project delivery form

400 (13MU/row)	460	350	BPZ-WB3S-400/4/1 111097	BPZ-WB3S-400/4/2 111123	BPZ-RP-400/4 111285	BPZ-RPP-400/4 111311	BP-U-3S-400/4 111149	BP-U-3S-400/4-W 111183	BP-U-3S-400/4-P 119093	BP-U-3S-400/4-P-W 119111
	760	650	BPZ-WB3S-400/7/1 111098	BPZ-WB3S-400/7/2 111124	BPZ-RP-400/7 111286	BPZ-RPP-400/7 111312	BP-U-3S-400/7 111150	BP-U-3S-400/7-W 111184	BP-U-3S-400/7-P 119094	BP-U-3S-400/7-P-W 119112
	1060	950	BPZ-WB3S-400/10/1 111099	BPZ-WB3S-400/10/2 111125	BPZ-RP-400/10 111287	BPZ-RPP-400/10 111313	BP-U-3S-400/10 111151	BP-U-3S-400/10-W 111185	BP-U-3S-400/10-P 119095	BP-U-3S-400/10-P-W 119113
	1260	1150	BPZ-WB3S-400/12/1 111100	BPZ-WB3S-400/12/2 111126	BPZ-RP-400/12 111288	BPZ-RPP-400/12 111314	BP-U-3S-400/12 111152	BP-U-3S-400/12-W 111186	BP-U-3S-400/12-P 119096	BP-U-3S-400/12-P-W 119114
600 (24MU/row)	460	350	BPZ-WB3S-600/4/1 111101	BPZ-WB3S-600/4/2 111127	BPZ-RP-600/4 111289	BPZ-RPP-600/4 111315	BP-U-3S-600/4 111153	BP-U-3S-600/4-W 111187	BP-U-3S-600/4-P 119097	BP-U-3S-600/4-P-W 119115
	760	650	BPZ-WB3S-600/7/1 111102	BPZ-WB3S-600/7/2 111128	BPZ-RP-600/7 111290	BPZ-RPP-600/7 111316	BP-U-3S-600/7 111154	BP-U-3S-600/7-W 111188	BP-U-3S-600/7-P 119098	BP-U-3S-600/7-P-W 119116
	1060	950	BPZ-WB3S-600/10/1 111103	BPZ-WB3S-600/10/2 111129	BPZ-RP-600/10 111291	BPZ-RPP-600/10 111317	BP-U-3S-600/10 111155	BP-U-3S-600/10-W 111189	BP-U-3S-600/10-P 119099	BP-U-3S-600/10-P-W 119117
	1260	1150	BPZ-WB3S-600/12/1 111104	BPZ-WB3S-600/12/2 111130	BPZ-RP-600/12 111292	BPZ-RPP-600/12 111318	BP-U-3S-600/12 111156	BP-U-3S-600/12-W 111190	BP-U-3S-600/12-P 119100	BP-U-3S-600/12-P-W 119118
	1560	1450	BPZ-WB3S-600/15/1 111105	BPZ-WB3S-600/15/2 111131	BPZ-RP-600/15 111293	BPZ-RPP-600/15 111319	BP-U-3S-600/15 111157	BP-U-3S-600/15-W 111191	BP-U-3S-600/15-P 119101	BP-U-3S-600/15-P-W 119119
	1760	1650	BPZ-WB3S-600/17/1 111106	BPZ-WB3S-600/17/2 111132	BPZ-RP-600/17 111294	BPZ-RPP-600/17 111320	BP-U-3S-600/17 111158	BP-U-3S-600/17-W 111192	BP-U-3S-600/17-P 111160	BP-U-3S-600/17-P-W 111194
	2060	1950	BPZ-WB3S-600/20/1 111107	BPZ-WB3S-600/20/2 111133	BPZ-RP-600/20 111295	BPZ-RPP-600/20 111321	BP-U-3S-600/20 111159	BP-U-3S-600/20-W 111193	BP-U-3S-600/20-P 111161	BP-U-3S-600/20-P-W 111195
800 (35MU/row)	760	650	BPZ-WB3S-800/7/1 111108	BPZ-WB3S-800/7/2 111134	BPZ-RP-800/7 111296	BPZ-RPP-800/7 111322	BP-U-3S-800/7 111162	BP-U-3S-800/7-W 111196	BP-U-3S-800/7-P 119102	BP-U-3S-800/7-P-W 119120
	1060	950	BPZ-WB3S-800/10/1 111109	BPZ-WB3S-800/10/2 111135	BPZ-RP-800/10 111297	BPZ-RPP-800/10 111323	BP-U-3S-800/10 111163	BP-U-3S-800/10-W 111197	BP-U-3S-800/10-P 119103	BP-U-3S-800/10-P-W 119121
	1260	1150	BPZ-WB3S-800/12/1 111110	BPZ-WB3S-800/12/2 111136	BPZ-RP-800/12 111298	BPZ-RPP-800/12 111324	BP-U-3S-800/12 111164	BP-U-3S-800/12-W 111198	BP-U-3S-800/12-P 119104	BP-U-3S-800/12-P-W 119122
	1560	1450	BPZ-WB3S-800/15/1 111111	BPZ-WB3S-800/15/2 111137	BPZ-RP-800/15 111299	BPZ-RPP-800/15 111325	BP-U-3S-800/15 111165	BP-U-3S-800/15-W 111199	BP-U-3S-800/15-P 119105	BP-U-3S-800/15-P-W 119123
			BPZ-WB3S-800/17/1 111112	BPZ-WB3S-800/17/2 111138	BPZ-RP-800/17 111300	BPZ-RPP-800/17 111326	BP-U-3S-800/17 111166	BP-U-3S-800/17-W 111200	BP-U-3S-800/17-P 111168	BP-U-3S-800/17-P-W 111202
			BPZ-WB3S-800/20/1 111113	BPZ-WB3S-800/20/2 111139	BPZ-RP-800/20 111301	BPZ-RPP-800/20 111327	BP-U-3S-800/20 111167	BP-U-3S-800/20-W 111201	BP-U-3S-800/20-P 111169	BP-U-3S-800/20-P-W 111203

Flush-mounted distribution board BP(A/M)-U-3S-..., IP30/IP43/IP54



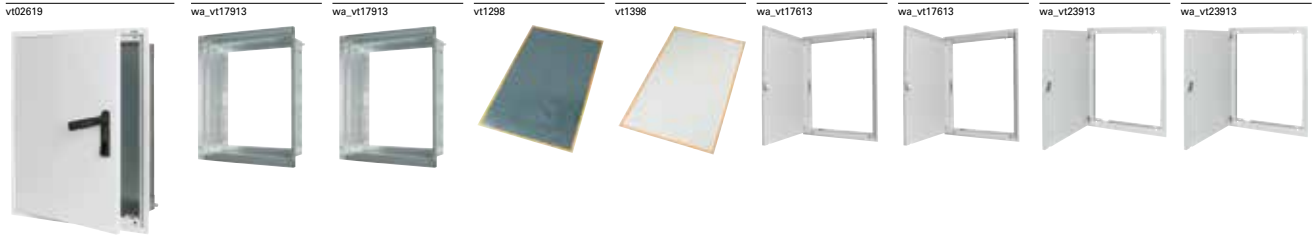
Flush-mounting door frame for 3-step design / Designed for indoor applications! / Degree of protection IP30 / Fire-resistant (E60/EW60)		Flush-mounting door frame for 3-step design / Designed for outdoor applications! / Degree of protection IP43		Flush-mounting door frame for 3-step design / Designed for industrial applications / Degree of protection IP54		MSW installation / Mounting side wall (MSW) with SNAP-element BPZ-SNAP	
Door with BPZ-LOCK/ SH6METAL RAL 7035 grey	RAL 9016 white	Door with two-way key bit RAL 7035 grey	Door with clip-down handle RAL 9016 white	Door with two-way key bit RAL 7035 grey	RAL 9016 white	Door with clip-down handle RAL 7035 grey	Galvanized sheet-steel Blank empty
Article No. per unit unit = 1 pc.	Article No. per unit unit = 1 pc.	Article No. per unit unit = 1 pc.	Article No. per unit unit = 1 pc.	Article No. per unit unit = 1 pc.	Article No. per unit unit = 1 pc.	Article No. per unit unit = 1 pc.	Article No. per unit unit = 1 pc.

BP-U-3S-400/4-EW 116570	BP-U-3S-400/4-EW-W 116592	BPA-U-3S-400/4 111217	BPA-U-3S-400/4-P 119129	BPM-U-3S-400/4 111251	BPM-U-3S-400/4-W 144237	BPM-U-3S-400/4-P 119147	BPZ-MSW-4/SNAP 112284
BP-U-3S-400/7-EW 116571	BP-U-3S-400/7-EW-W 116593	BPA-U-3S-400/7 111218	BPA-U-3S-400/7-P 119130	BPM-U-3S-400/7 111252	BPM-U-3S-400/7-W 144238	BPM-U-3S-400/7-P 119148	BPZ-MSW-7/SNAP 112285
BP-U-3S-400/10-EW 116572	BP-U-3S-400/10-EW-W 116594	BPA-U-3S-400/10 111219	BPA-U-3S-400/10-P 119131	BPM-U-3S-400/10 111253	BPM-U-3S-400/10-W 144239	BPM-U-3S-400/10-P 119149	BPZ-MSW-10/SNAP 112286
BP-U-3S-400/12-EW 116573	BP-U-3S-400/12-EW-W 116595	BPA-U-3S-400/12 111220	BPA-U-3S-400/12-P 119132	BPM-U-3S-400/12 111254	BPM-U-3S-400/12-W 144240	BPM-U-3S-400/12-P 119150	BPZ-MSW-12/SNAP 112287
BP-U-3S-600/4-EW 116574	BP-U-3S-600/4-EW-W 116596	BPA-U-3S-600/4 111221	BPA-U-3S-600/4-P 119133	BPM-U-3S-600/4 111255	BPM-U-3S-600/4-W 144241	BPM-U-3S-600/4-P 119151	BPZ-MSW-4/SNAP 112284
BP-U-3S-600/7-EW 116575	BP-U-3S-600/7-EW-W 116597	BPA-U-3S-600/7 111222	BPA-U-3S-600/7-P 119134	BPM-U-3S-600/7 111256	BPM-U-3S-600/7-W 144242	BPM-U-3S-600/7-P 119152	BPZ-MSW-7/SNAP 112285
BP-U-3S-600/10-EW 116576	BP-U-3S-600/10-EW-W 116598	BPA-U-3S-600/10 111223	BPA-U-3S-600/10-P 119135	BPM-U-3S-600/10 111257	BPM-U-3S-600/10-W 144243	BPM-U-3S-600/10-P 119153	BPZ-MSW-10/SNAP 112286
BP-U-3S-600/12-EW 116577	BP-U-3S-600/12-EW-W 116599	BPA-U-3S-600/12 111224	BPA-U-3S-600/12-P 119136	BPM-U-3S-600/12 111258	BPM-U-3S-600/12-W 144244	BPM-U-3S-600/12-P 119154	BPZ-MSW-12/SNAP 112287
BP-U-3S-600/15-EW 116578	BP-U-3S-600/15-EW-W 116600	BPA-U-3S-600/15 111225	BPA-U-3S-600/15-P 119137	BPM-U-3S-600/15 111259	BPM-U-3S-600/15-W 144245	BPM-U-3S-600/15-P 119155	BPZ-MSW-15/SNAP 112288
BP-U-3S-600/17-EW 116579	BP-U-3S-600/17-EW-W 116601	BPA-U-3S-600/17 111226	BPA-U-3S-600/17-P 111228	BPM-U-3S-600/17 111260	BPM-U-3S-600/17-W 144246	BPM-U-3S-600/17-P 111262	BPZ-MSW-17/SNAP 112289
BP-U-3S-600/20-EW 116580	BP-U-3S-600/20-EW-W 116602	BPA-U-3S-600/20 111227	BPA-U-3S-600/20-P 111229	BPM-U-3S-600/20 111261	BPM-U-3S-600/20-W 144247	BPM-U-3S-600/20-P 111263	BPZ-MSW-20/SNAP 112300
BP-U-3S-800/7-EW 116581	BP-U-3S-800/7-EW-W 116603	BPA-U-3S-800/7 111230	BPA-U-3S-800/7-P 119138	BPM-U-3S-800/7 111264	BPM-U-3S-800/7-W 144248	BPM-U-3S-800/7-P 119156	BPZ-MSW-7/SNAP 112285
BP-U-3S-800/10-EW 116582	BP-U-3S-800/10-EW-W 116604	BPA-U-3S-800/10 111231	BPA-U-3S-800/10-P 119139	BPM-U-3S-800/10 111265	BPM-U-3S-800/10-W 144249	BPM-U-3S-800/10-P 119157	BPZ-MSW-10/SNAP 112286
BP-U-3S-800/12-EW 116583	BP-U-3S-800/12-EW-W 116605	BPA-U-3S-800/12 111232	BPA-U-3S-800/12-P 119140	BPM-U-3S-800/12 111266	BPM-U-3S-800/12-W 144250	BPM-U-3S-800/12-P 119158	BPZ-MSW-12/SNAP 112287
BP-U-3S-800/15-EW 116584	BP-U-3S-800/15-EW-W 116606	BPA-U-3S-800/15 111233	BPA-U-3S-800/15-P 119141	BPM-U-3S-800/15 111267	BPM-U-3S-800/15-W 144251	BPM-U-3S-800/15-P 119159	BPZ-MSW-15/SNAP 112288
BP-U-3S-800/17-EW 116585	BP-U-3S-800/17-EW-W 116607	BPA-U-3S-800/17 111234	BPA-U-3S-800/17-P 111236	BPM-U-3S-800/17 111268	BPM-U-3S-800/17-W 144252	BPM-U-3S-800/17-P 111270	BPZ-MSW-17/SNAP 112289
BP-U-3S-800/20-EW 116586	BP-U-3S-800/20-EW-W 116608	BPA-U-3S-800/20 111235	BPA-U-3S-800/20-P 111237	BPM-U-3S-800/20 111269	BPM-U-3S-800/20-W 144253	BPM-U-3S-800/20-P 111271	BPZ-MSW-20/SNAP 112300

5.5

xEnergy Distribution Boards

Flush-mounted distribution board BP(A/M)-U-3S-..., IP30/IP43/IP54

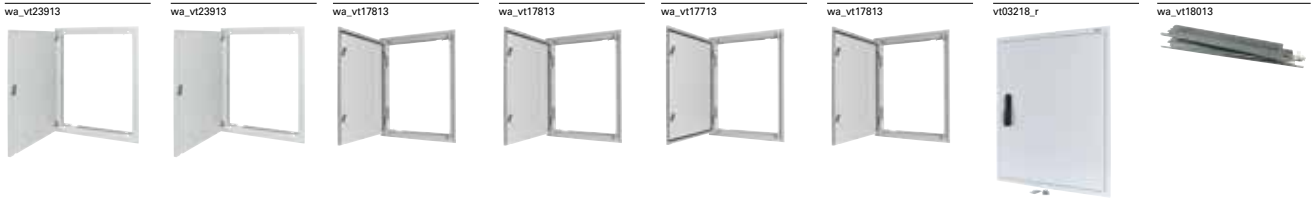


Width [mm]	Height [mm]	Height int. [mm]	Wall box for 3-step system dedicated for MSW installation depth 1 (180 mm)	Wall box for 3-step system dedicated for MSW installation depth 2 (240 mm)	Rear panel for 3-step system galvanized sheet-steel installation	Rear panel for 3-step system plastic grey RAL 7035	Flush-mounting door frame for 3-step design designed for indoor applications! degree of protection IP30			
			galvanized sheet-steel blank empty	galvanized sheet-steel blank empty	blank		door with rotary handle RAL 7035 grey	door with rotary handle RAL 9016 white	door with clip-down handle RAL 7035 grey	door with clip-down handle RAL 9016 white
			Article No. per unit unit = 1 pc.	Article No. per unit unit = 1 pc.	Article No. per unit unit = 1 pc.	Article No. per unit unit = 1 pc.	Article No. per unit unit = 1 pc.	Article No. per unit unit = 1 pc.	Article No. per unit unit = 1 pc.	Article No. per unit unit = 1 pc.

BP(A/M)-U-3S... - project delivery form

1000 (46MU/row)	1060	950	BPZ-WB3S-1000/10/1 111114	BPZ-WB3S-1000/10/2 111140	BPZ-RP-1000/10 111302	BPZ-RPP-1000/10 111328	BP-U-3S-1000/10 111170	BP-U-3S-1000/10-W 111204	BP-U-3S-1000/10-P 119106	BP-U-3S-1000/10-P-W 119124
	1260	1150	BPZ-WB3S-1000/12/1 111115	BPZ-WB3S-1000/12/2 111141	BPZ-RP-1000/12 111303	BPZ-RPP-1000/12 111329	BP-U-3S-1000/12 111171	BP-U-3S-1000/12-W 111205	BP-U-3S-1000/12-P 119107	BP-U-3S-1000/12-P-W 119125
	1560	1450	BPZ-WB3S-1000/15/1 111116	BPZ-WB3S-1000/15/2 111142	BPZ-RP-1000/15 111304	BPZ-RPP-1000/15 111330	BP-U-3S-1000/15 111172	BP-U-3S-1000/15-W 111206	BP-U-3S-1000/15-P 119108	BP-U-3S-1000/15-P-W 119126
	1760	1650	BPZ-WB3S-1000/17/1 111117	BPZ-WB3S-1000/17/2 111143	BPZ-RP-1000/17 111305	BPZ-RPP-1000/17 111331	BP-U-3S-1000/17 111173	BP-U-3S-1000/17-W 111207	BP-U-3S-1000/17-P 111175	BP-U-3S-1000/17-P-W 111209
	2060	1950	BPZ-WB3S-1000/20/1 111118	BPZ-WB3S-1000/20/2 111144	BPZ-RP-1000/20 111306	BPZ-RPP-1000/20 111332	BP-U-3S-1000/20 111174	BP-U-3S-1000/20-W 111208	BP-U-3S-1000/20-P 111176	BP-U-3S-1000/20-P-W 111210
1200 (57MU/row)	1260	1150	BPZ-WB3S-1200/12/1 111119	BPZ-WB3S-1200/12/2 111145	BPZ-RP-1200/12 111307	BPZ-RPP-1200/12 111333	BP-U-3S-1200/12 111177	BP-U-3S-1200/12-W 111211	BP-U-3S-1200/12-P 119109	BP-U-3S-1200/12-P-W 119127
	1560	1450	BPZ-WB3S-1200/15/1 111120	BPZ-WB3S-1200/15/2 111146	BPZ-RP-1200/15 111308	BPZ-RPP-1200/15 111334	BP-U-3S-1200/15 111178	BP-U-3S-1200/15-W 111212	BP-U-3S-1200/15-P 119110	BP-U-3S-1200/15-P-W 119128
			BPZ-WB3S-1200/17/1 111121	BPZ-WB3S-1200/17/2 111147	BPZ-RP-1200/17 111309	BPZ-RPP-1200/17 111335	BP-U-3S-1200/17 111179	BP-U-3S-1200/17-W 111213	BP-U-3S-1200/17-P 111181	BP-U-3S-1200/17-P-W 111215
		BPZ-WB3S-1200/20/1 111122	BPZ-WB3S-1200/20/2 111148	BPZ-RP-1200/20 111310	BPZ-RPP-1200/20 111336	BP-U-3S-1200/20 111180	BP-U-3S-1200/20-W 111214	BP-U-3S-1200/20-P 111182	BP-U-3S-1200/20-P-W 111216	

Flush-mounted distribution board BP(A/M)-U-3S-..., IP30/IP43/IP54



Flush-mounting door frame for 3-step design designed for indoor applications! degree of protection IP30 fire-resistant (E60/EW60)		Flush-mounting door frame for 3-step design designed for outdoor applications! degree of protection IP43		Flush-mounting door frame for 3-step design designed for industrial applications degree of protection IP54			MSW installation Mounting side wall (MSW) with SNAP-element BPZ-SNAP
door with rotary handle RAL 7035 grey	door with rotary handle RAL 9016 white	door with two-way key bit RAL 7035 grey	door with clip-down handle RAL 9016 white	door with two-way key bit RAL 7035 grey	door with two-way key bit RAL 9016 white	door with clip-down handle RAL 7035 grey	galvanized sheet-steel blank empty
Article No. per unit unit = 1 pc.	Article No. per unit unit = 1 pc.	Article No. per unit unit = 1 pc.	Article No. per unit unit = 1 pc.	Article No. per unit unit = 1 pc.	Article No. per unit unit = 1 pc.	Article No. per unit unit = 1 pc.	Article No. per unit unit = 1 pc.

BP-U-3S-1000/10-EW 116587	BP-U-3S-1000/10-EW-W 116609	BPA-U-3S-1000/10 111238	BPA-U-3S-1000/10-P 119142	BPM-U-3S-1000/10 111272	BPM-U-3S-1000/10-W 144254	BPM-U-3S-1000/10-P 119160	BPZ-MSW-10/SNAP 112286
BP-U-3S-1000/12-EW 116588	BP-U-3S-1000/12-EW-W 116610	BPA-U-3S-1000/12 111239	BPA-U-3S-1000/12-P 119143	BPM-U-3S-1000/12 111273	BPM-U-3S-1000/12-W 144255	BPM-U-3S-1000/12-P 119161	BPZ-MSW-12/SNAP 112287
BP-U-3S-1000/15-EW 116589	BP-U-3S-1000/15-EW-W 116611	BPA-U-3S-1000/15 111240	BPA-U-3S-1000/15-P 119144	BPM-U-3S-1000/15 111274	BPM-U-3S-1000/15-W 144256	BPM-U-3S-1000/15-P 119162	BPZ-MSW-15/SNAP 112288
BP-U-3S-1000/17-EW 116590	BP-U-3S-1000/17-EW-W 116612	BPA-U-3S-1000/17 111241	BPA-U-3S-1000/17-P 111243	BPM-U-3S-1000/17 111275	BPM-U-3S-1000/17-W 144257	BPM-U-3S-1000/17-P 111277	BPZ-MSW-17/SNAP 112289
BP-U-3S-1000/20-EW 116591	BP-U-3S-1000/20-EW-W 116613	BPA-U-3S-1000/20 111242	BPA-U-3S-1000/20-P 111244	BPM-U-3S-1000/20 111276	BPM-U-3S-1000/20-W 144258	BPM-U-3S-1000/20-P 111278	BPZ-MSW-20/SNAP 112300
-	-	BPA-U-3S-1200/12 111245	BPA-U-3S-1200/12-P 119145	BPM-U-3S-1200/12 111279	BPM-U-3S-1200/12-W 144259	BPM-U-3S-1200/12-P 119163	BPZ-MSW-12/SNAP 112287
-	-	BPA-U-3S-1200/15 111246	BPA-U-3S-1200/15-P 119146	BPM-U-3S-1200/15 111280	BPM-U-3S-1200/15-W 144260	BPM-U-3S-1200/15-P 119164	BPZ-MSW-15/SNAP 112288
-	-	BPA-U-3S-1200/17 111247	BPA-U-3S-1200/17-P 111249	BPM-U-3S-1200/17 111281	BPM-U-3S-1200/17-W 144261	BPM-U-3S-1200/17-P 111283	BPZ-MSW-17/SNAP 112289
-	-	BPA-U-3S-1200/20 111248	BPA-U-3S-1200/20-P 111250	BPM-U-3S-1200/20 111282	BPM-U-3S-1200/20-W 144262	BPM-U-3S-1200/20-P 111284	BPZ-MSW-20/SNAP 112300

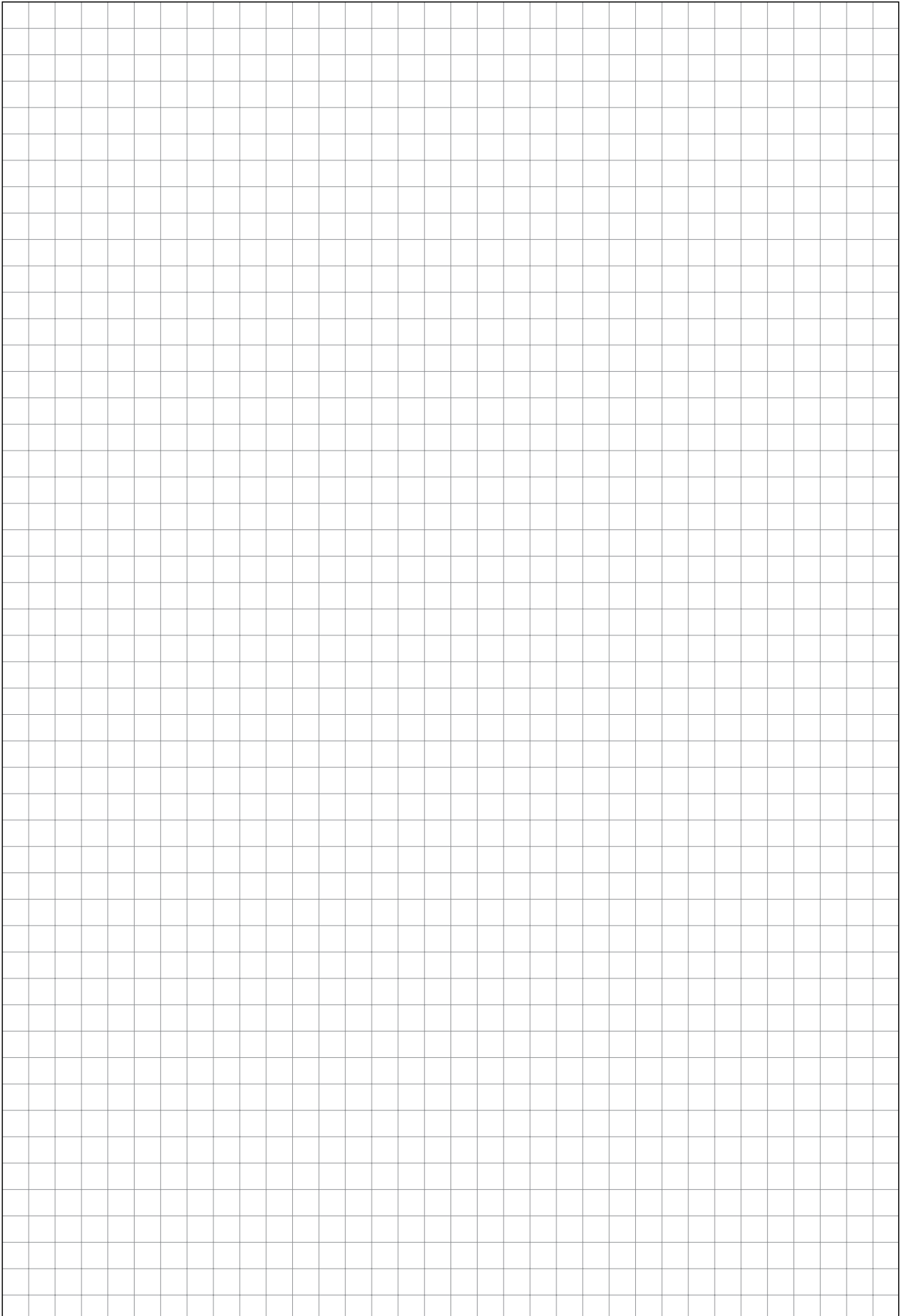
Description

BP-U-3S..., IP30 / IP43 / IP54, enclosure depth 180/240 mm

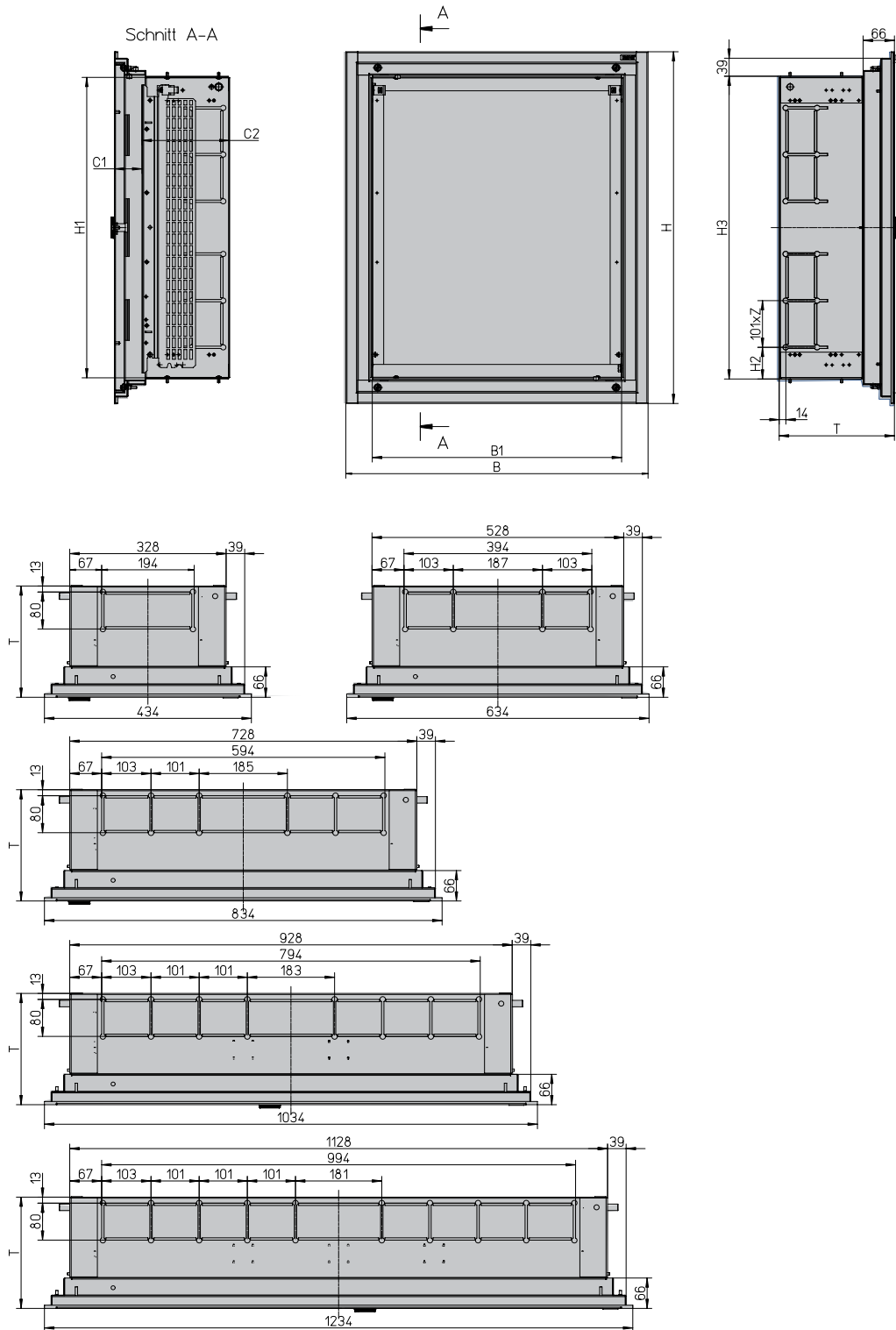
- Delivery as „flatpack“ for project delivery possible
- Degree of protection IP30 / IP43 / IP54
- Impact resistance IK08
- Protection class I (protective earth)
- Cable entry directly via the wall box (perforated on all sides)
- Quick and easy change of the hinge direction, door opening angle ~110°
- Wall box intended to be fixed directly in the stonework
- Max. built-in-depth either 180 mm or 240 mm depends on type
- Flush-mounted frame incl. door made of sheet steel powder-coated, RAL 7035 / RAL 9016
- Lateral add-on connection as well as top/bottom arrangement possible
- Variable interior installation with “Mounting side panel” (MSW)
- Surface adjustment up to 18 mm possible

Technical data

	BP-U-3S...
Electrical	
Type conforms to	IEC/EN 62208
Protection class	I (protective earth)
Degree of protection	IP30 (closed version with door/flansche) *) IP43 (special door frame BPA-U-3S... required) *) IP54 (special door frame BPM-U-3S... required) IP2XC (door open, user access level has to be closed properly with front covers)
Impact resistance	IK08
Rated operational voltage	415 VAC / 50 Hz
Rated current	Max. 630 A (door open, user access level has to be closed properly with front covers)
Earthing concept for the enclosure	
Main earthing	By means of self-tapping screw M5 in the wall box
Door earthing	By means of M6 welding bolts
The permissible temperature increases for switchgear assemblies with a rated current of up to 630 A can be evaluated in accordance with section 10.10.4.2 of IEC/EN 61439-1.	
For the maximum permissible heat dissipation for all devices inside the distribution board at an ambient temperature of 35° C and ΔT of 20 K / 35 K at an enclosure height of 75 %, please refer to the table on enclosure dimensions; (calculation method acc.to IEC/TR 60890).	
Mechanical	
Enclosure	Modular design by „flat-pack“ construction possible (rear panel - wall box - mounting insert - flush-mounted frame - door)
Material	Flush-mounted frame and door (IP30): Sheet steel 1.25/1 mm, phosphated and polyester powder coated (structured) with corrosion protection IP43/IP54: sea-water resistant aluminum 1.5 mm, polyester powder coated (structured) Wall box and rear panel: sheet steel 1 mm, galvanized
Colour	Traffic white RAL 9016 , light grey RAL 7035
Door	Hinges on the inside, door opening angle ~110°; hinged either left or right, Width 1000 / 1200 mm in double-wing design, with encircling foamed sealing for IP43/IP54
Type	Flexible interior fitting with installation units Profi+ on „mounting side panel“ (MSW) Mounting side panel (MSW): removable mounting insert, external installation, fast and reliable
Locking mechanism	IP30: standard cam lock (plastic), optional metal lock with standard locking or two-way key bit IP43/IP54: standard locking with two-way key bit (metal) respectively rotary lever (optional lock cylinder as accessory) Three-point locking mechanism from height 1060 mm (one-point respectively two-point at height 460 / 760 mm)
Cable entry	Easy-to-cut perforations in the wall box
Ambient condition	BP-U-3S: Indoor installation (flush-mounted installation) BPA-U-3S: Outdoor installation (flush-mounting) to a outer wall / facade BPM-U-3S: Indoor installation (industrial environment) Max. ambient temperature +40° C Min. ambient temperature -5° C (indoor) Min. ambient temperature -25° C (outdoor)
Halogen-free, RoHS	< 1%, yes
Accessories	Alternative lock options, add-on connection kit
Delivered as	Flat-pack components prepared for interior fitting „MSW“



Dimensions (mm)

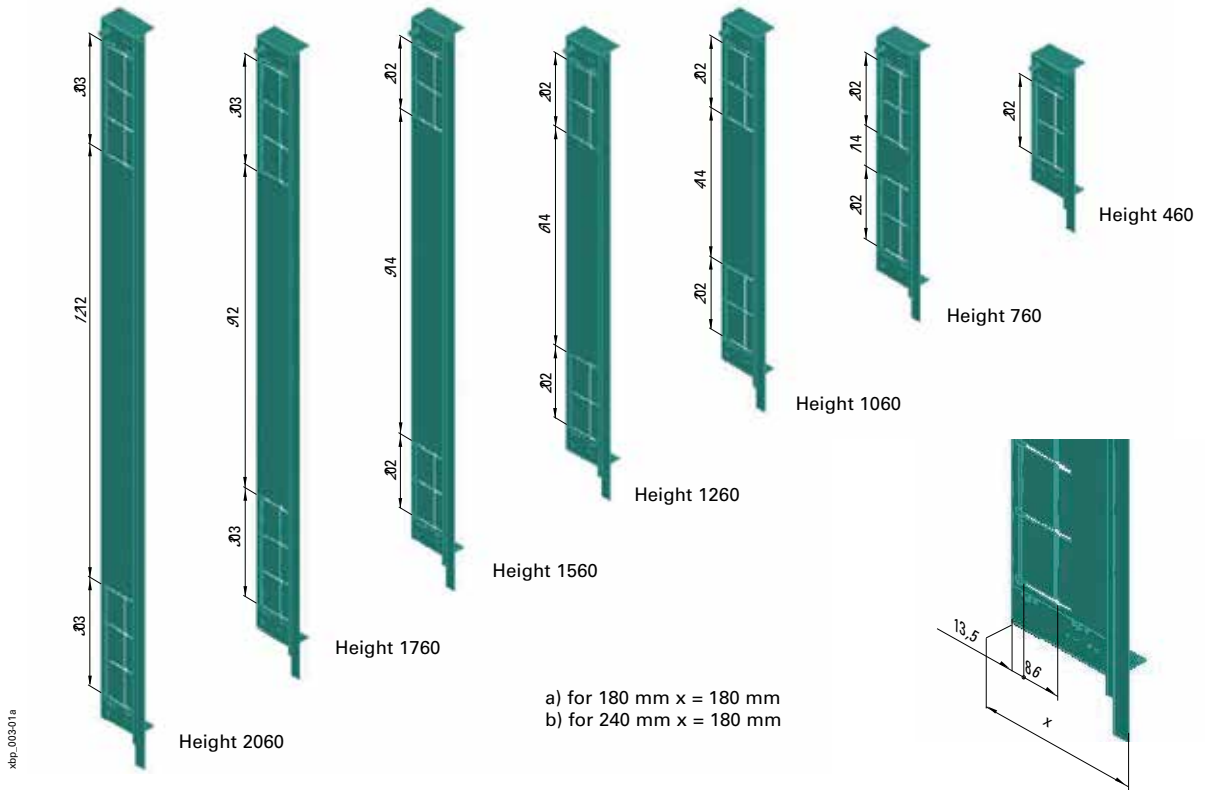


Dimensions (mm)

Type	Overall dimensions			Internal dimensions (front plate)							Pv [W] (ΔT 20K)	Pv [W] (ΔT 35K)
	Width	Height	Depth	Width	Height	C1	H2	C2	H3	Z		
	B	H	T	B1	H1							
BP-U-3S-400/4/1	434	460	180	320	350	56	66	123	355	2	22	44
BP-U-3S-400/7/1	434	760	180	320	650	56	74	123	655	2	32	64
BP-U-3S-400/10/1	434	1060	180	320	950	56	74	123	955	2	42	84
BP-U-3S-400/12/1	434	1260	180	320	1150	56	74	123	1155	2	48	97
BP-U-3S-600/4/1	634	460	180	520	350	56	68	123	355	2	33	65
BP-U-3S-600/7/1	634	760	180	520	650	56	76	123	655	2	46	92
BP-U-3S-600/10/1	634	1060	180	520	950	56	74	123	955	2	59	118
BP-U-3S-600/12/1	634	1260	180	520	1150	56	74	123	1155	2	68	137
BP-U-3S-600/15/1	634	1560	180	520	1450	56	74	123	1455	2	56	112
BP-U-3S-600/17/1	634	1760	180	520	1650	56	74	123	1655	3	60	121
BP-U-3S-600/20/1	634	2060	180	520	1950	56	74	123	1955	3	68	137
BP-U-3S-800/7/1	834	760	180	720	650	56	74	123	655	2	61	122
BP-U-3S-800/10/1	834	1060	180	720	950	56	74	123	955	2	60	121
BP-U-3S-800/12/1	834	1260	180	720	1150	56	74	123	1155	2	67	133
BP-U-3S-800/15/1	834	1560	180	720	1450	56	74	123	1455	2	81	162
BP-U-3S-800/17/1	834	1760	180	720	1650	56	74	123	1655	3	95	190
BP-U-3S-800/20/1	834	2060	180	720	1950	56	74	123	1955	3	111	222
BP-U-3S-1000/10/1	1034	1060	180	920	950	56	74	123	955	2	76	152
BP-U-3S-1000/12/1	1034	1260	180	920	1150	56	74	123	1155	2	90	180
BP-U-3S-1000/15/1	1034	1560	180	920	1450	56	74	123	1455	2	118	236
BP-U-3S-1000/17/1	1034	1760	180	920	1650	56	74	123	1655	3	129	259
BP-U-3S-1000/20/1	1034	2060	180	920	1950	56	74	123	1955	3	153	306
BP-U-3S-1200/12/1	1234	1260	180	1120	1150	56	74	123	1155	2	124	250
BP-U-3S-1200/15/1	1234	1560	180	1120	1450	56	74	123	1455	2	148	297
BP-U-3S-1200/17/1	1234	1760	180	1120	1650	56	74	123	1655	3	170	340
BP-U-3S-1200/20/1	1234	2060	180	1120	1950	56	74	123	1955	3	189	379
BP-U-3S-400/4/2	434	460	240	320	350	56/92	66	183/147	355	2	24	49
BP-U-3S-400/7/2	434	760	240	320	650	56/92	74	183/147	655	2	35	71
BP-U-3S-400/10/2	434	1060	240	320	950	56/92	74	183/147	955	2	46	92
BP-U-3S-400/12/2	434	1260	240	320	1150	56/92	74	183/147	1155	2	53	106
BP-U-3S-600/4/2	634	460	240	520	350	56/92	68	183/147	355	2	36	71
BP-U-3S-600/7/2	634	760	240	520	650	56/92	76	183/147	655	2	49	99
BP-U-3S-600/10/2	634	1060	240	520	950	56/92	74	183/147	955	2	63	127
BP-U-3S-600/12/2	634	1260	240	520	1150	56/92	74	183/147	1155	2	56	113
BP-U-3S-600/15/2	634	1560	240	520	1450	56/92	74	183/147	1455	2	64	128
BP-U-3S-600/17/2	634	1760	240	520	1650	56/92	74	183/147	1655	3	70	140
BP-U-3S-600/20/2	634	2060	240	520	1950	56/92	74	183/147	1955	3	83	166
BP-U-3S-800/7/2	834	760	240	720	650	56/92	74	183/147	655	2	65	130
BP-U-3S-800/10/2	834	1060	240	720	950	56/92	74	183/147	955	2	67	134
BP-U-3S-800/12/2	834	1260	240	720	1150	56/92	74	183/147	1155	2	74	149
BP-U-3S-800/15/2	834	1560	240	720	1450	56/92	74	183/147	1455	2	93	187
BP-U-3S-800/17/2	834	1760	240	720	1650	56/92	74	183/147	1655	3	112	224
BP-U-3S-800/20/2	834	2060	240	720	1950	56/92	74	183/147	1955	3	125	251
BP-U-3S-1000/10/2	1034	1060	240	920	950	56/92	74	183/147	955	2	86	173
BP-U-3S-1000/12/2	1034	1260	240	920	1150	56/92	74	183/147	1155	2	103	206
BP-U-3S-1000/15/2	1034	1560	240	920	1450	56/92	74	183/147	1455	2	131	262
BP-U-3S-1000/17/2	1034	1760	240	920	1650	56/92	74	183/147	1655	3	145	290
BP-U-3S-1000/20/2	1034	2060	240	920	1950	56/92	74	183/147	1955	3	175	350
BP-U-3S-1200/12/2	1234	1260	240	1120	1150	56/92	74	183/147	1155	2	139	278
BP-U-3S-1200/15/2	1234	1560	240	1120	1450	56/92	74	183/147	1455	2	165	331
BP-U-3S-1200/17/2	1234	1760	240	1120	1650	56/92	74	183/147	1655	3	192	385
BP-U-3S-1200/20/2	1234	2060	240	1120	1950	56/92	74	183/147	1955	3	204	410

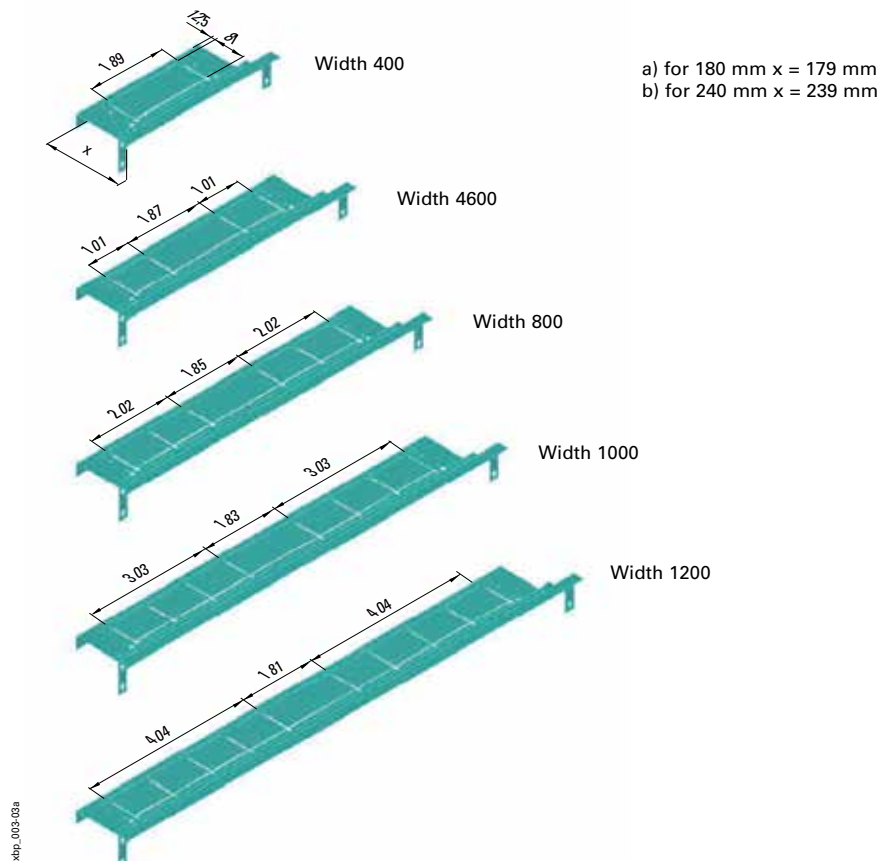
Side panels of wall box BPZ-WB3S

Depth 180, 240



Top and bottom panel of wall box BPZ-WB3S

Depth 180, 240

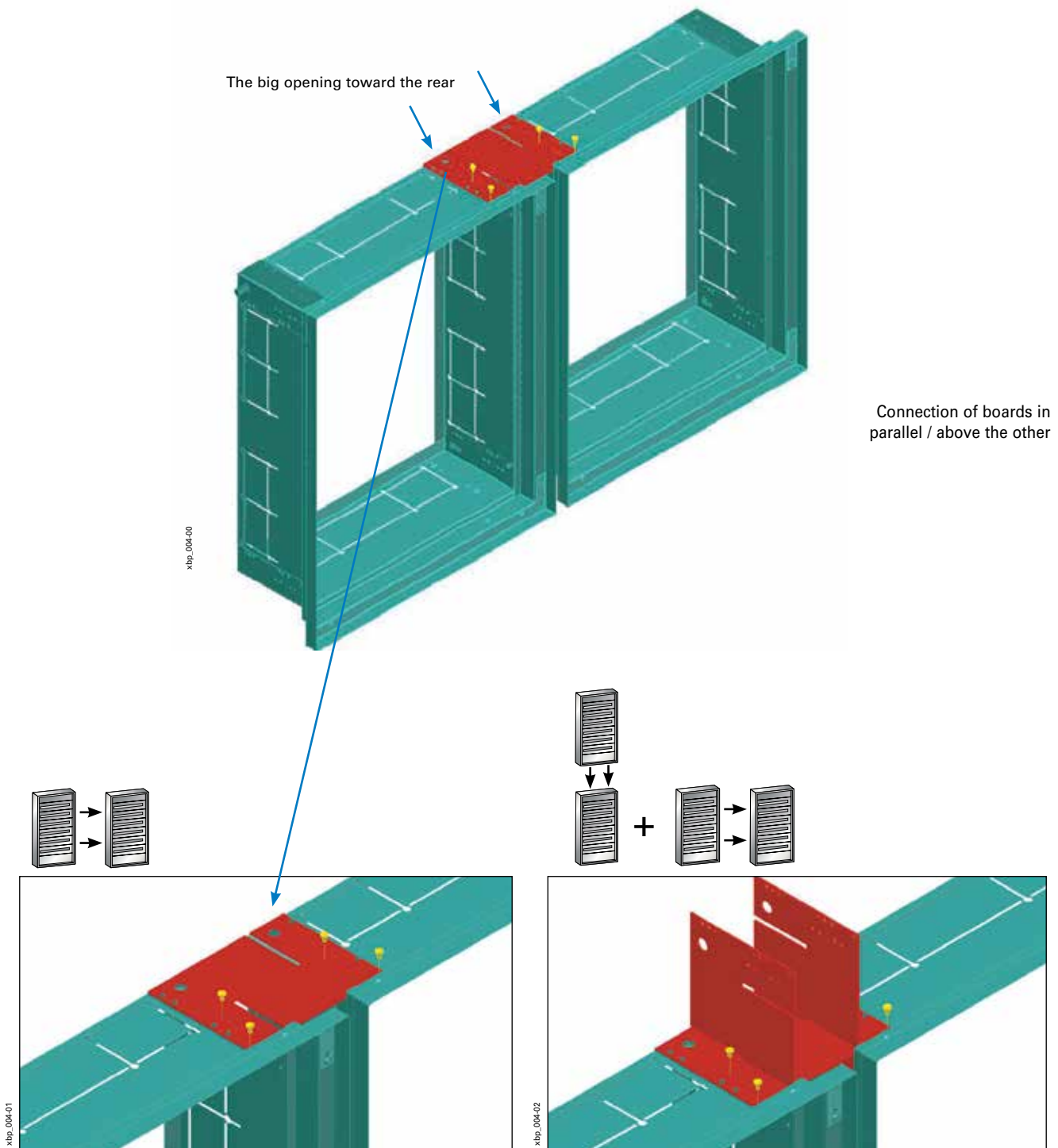


Connecting of flush-mounting boards with BPZ-BR/WB3S

- Use of coupling flange BPZ-BR/WB3S
- The coupling flanges define respective space in between particular wall boxes
- Possible to connect boards in parallel, one above the other or into a cross (i.e. parallel and one above the other at the same time)

Mounting process:

1. Placing of wall boxes BPZ-WB3S in parallel / one above the other
2. Put of flange BPZ-BR/WB3S. The big opening has to be oriented toward the rear
3. Fixing of the flange by means of screws



Cross connection of 4 boards (2 x 2)

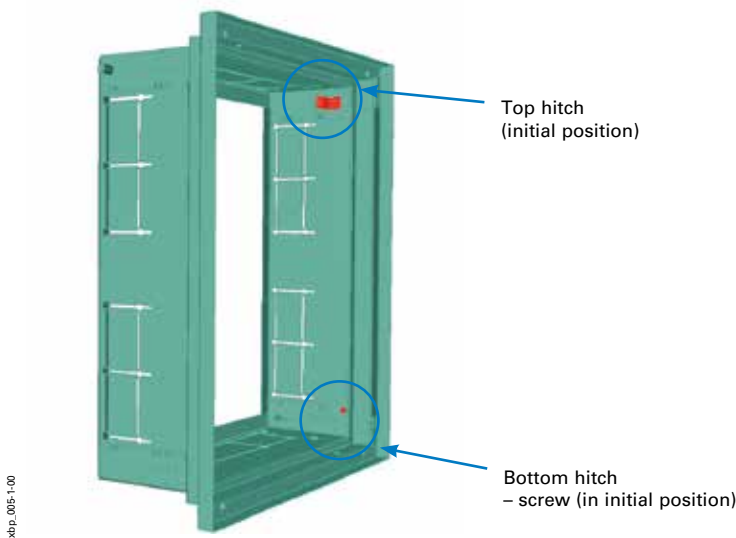
Mounting of side walls BPZ-MSW into wall box BPZ-WB3S

Mounting process:

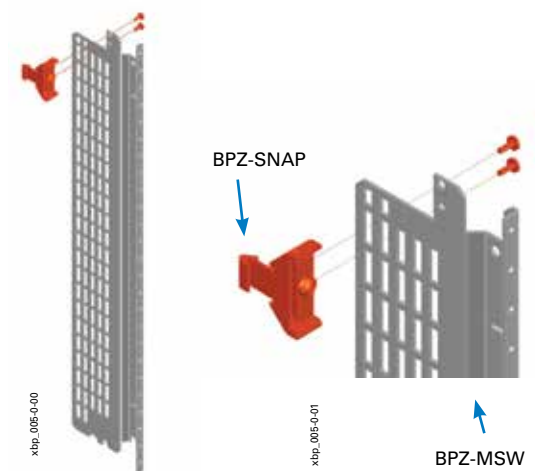
1. Placing of the side wall BPZ-MSW on bottom hitch
2. Tipping of the side wall to correct position. This position is indicated with click of the pawl BPZ-SNAP.
3. Tightening of the top hitch screw
4. Tightening of the bottom hitch screw

Notes:

- Usually, a complete frame (2 side walls, device rails, devices) is mounted
- For flush-mounting boards, the sidewalls BPZ-MSW have to be equipped with pawls BPZ-SNAP. These pawls do not substitute a function of the original screw. The frame has to be fixed with this screw!
- To demount the frame BPZ-MSW, a flat screwdriver is necessary to press away a pin of pawl BPZ-SNAP.

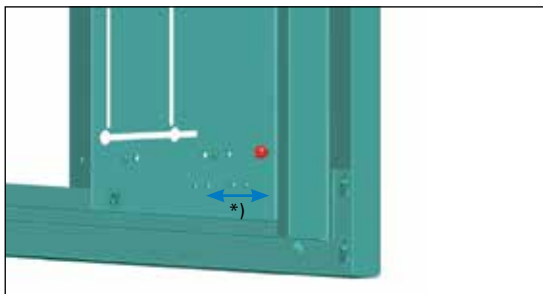


Mounting process for pawl BPZ-SNAP:

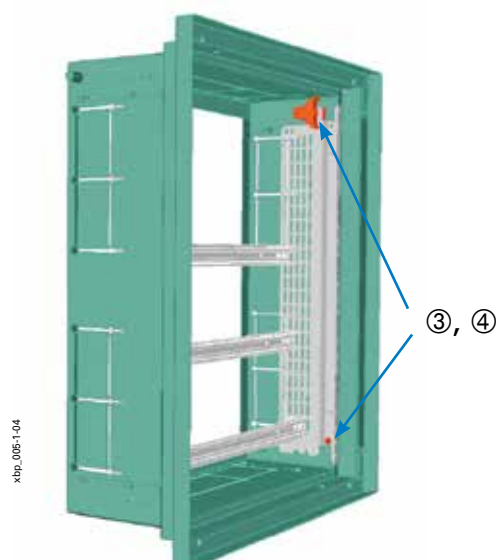
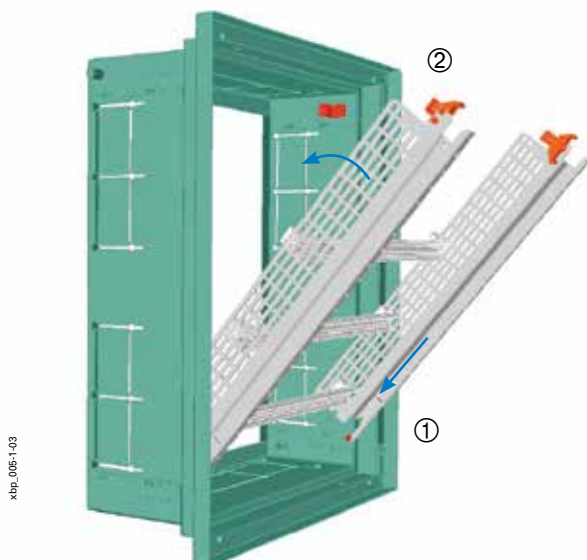
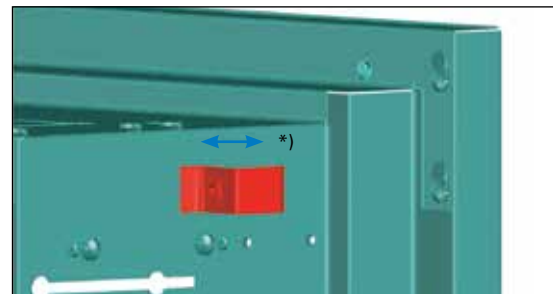


Detail of bottom hitch

*) possibility of change of side wall depth

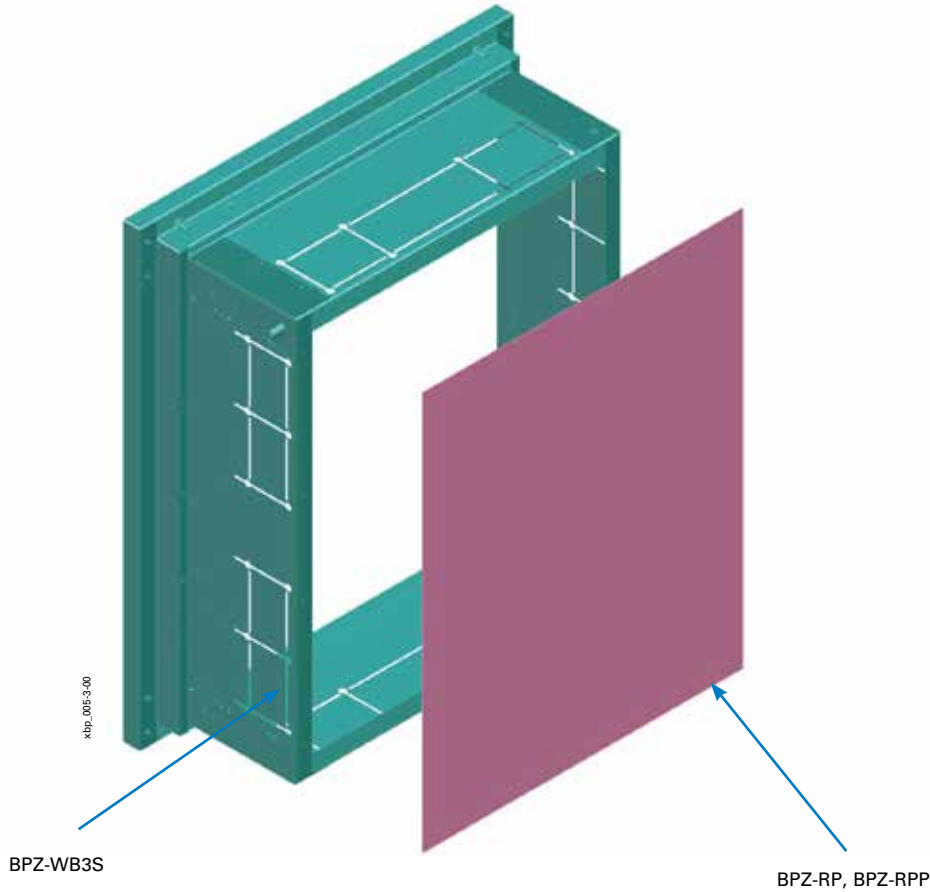


Detail of top hitch



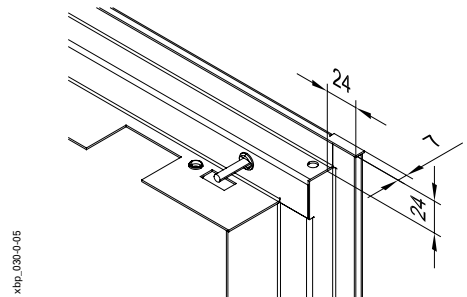
Rear walls, BPZ-RP

- Rear wall for wall box BPZ-WB3S
- Material: sheet steel, zinc-coated, thickness 1 mm, plastic
- Mounting by means of self-sealing tape
- Delivered as: 1 rear panel
- Attention: sheet steel rear wall must be connected through screws into the earthing concept!



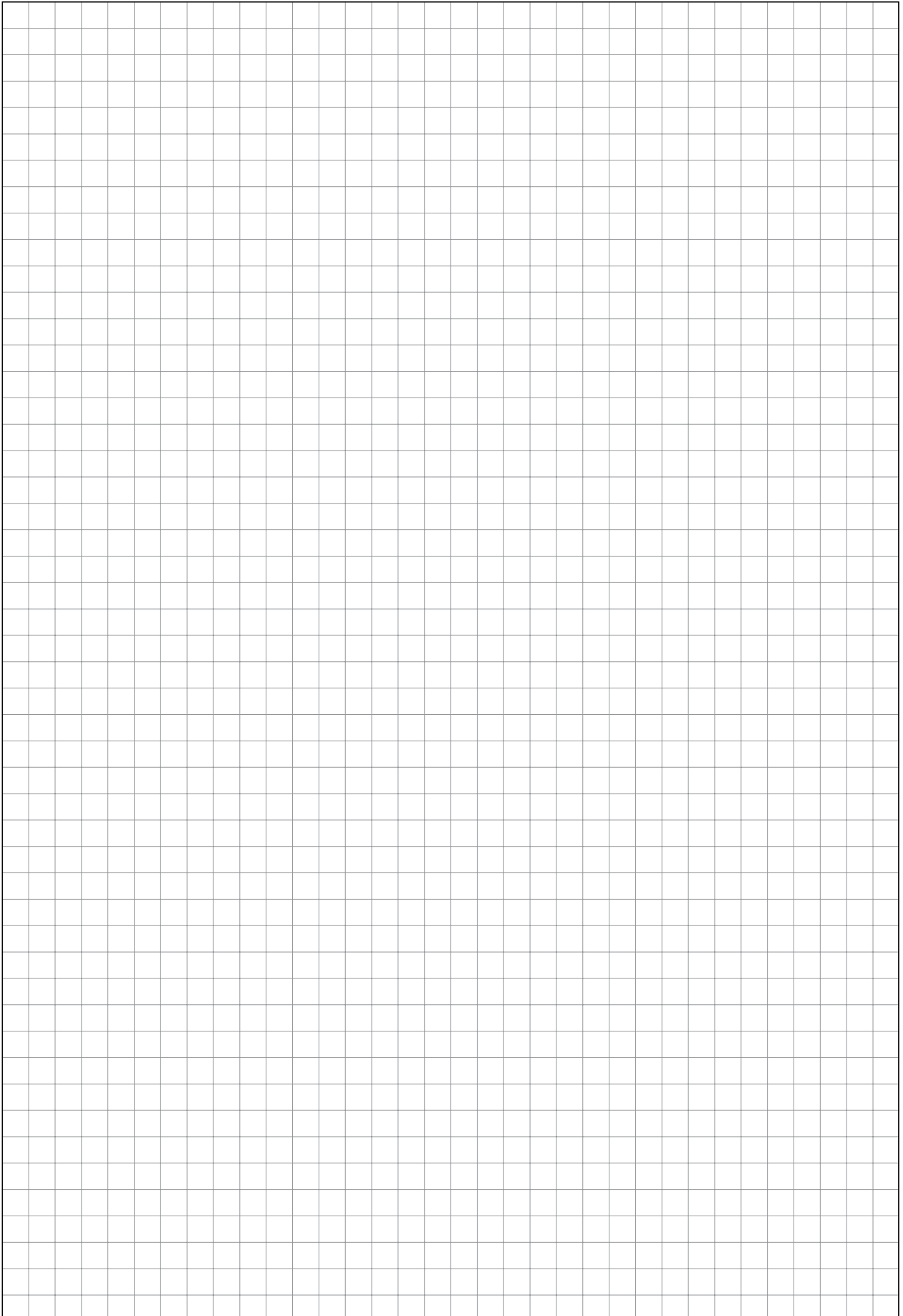
3-Step Flush-Mounting Door Frame, with Door, BP-U-3S-...

- IP30 ... BP-U-3S
- IP43 ... BPA-U-3S, with foamed sealing and rain bar for outdoor application
- IP54 ... BPM-U-3S, with foamed sealing for moisture-proof application
- Material: Sheet steel, powder-coated, RAL 7035 or RAL 9016
Aluminium, powder-coated, RAL 7035
- Delivered as: Frame, door with hinges
- Attention: Inserting the Flush-Mounting Door Frame BPA-U-3S (IP43) or BPM-U-3S (IP54) in the Wall Box BPZ-WB3S, the facility builder has to ensure waterproofing against the wall covering substrate.



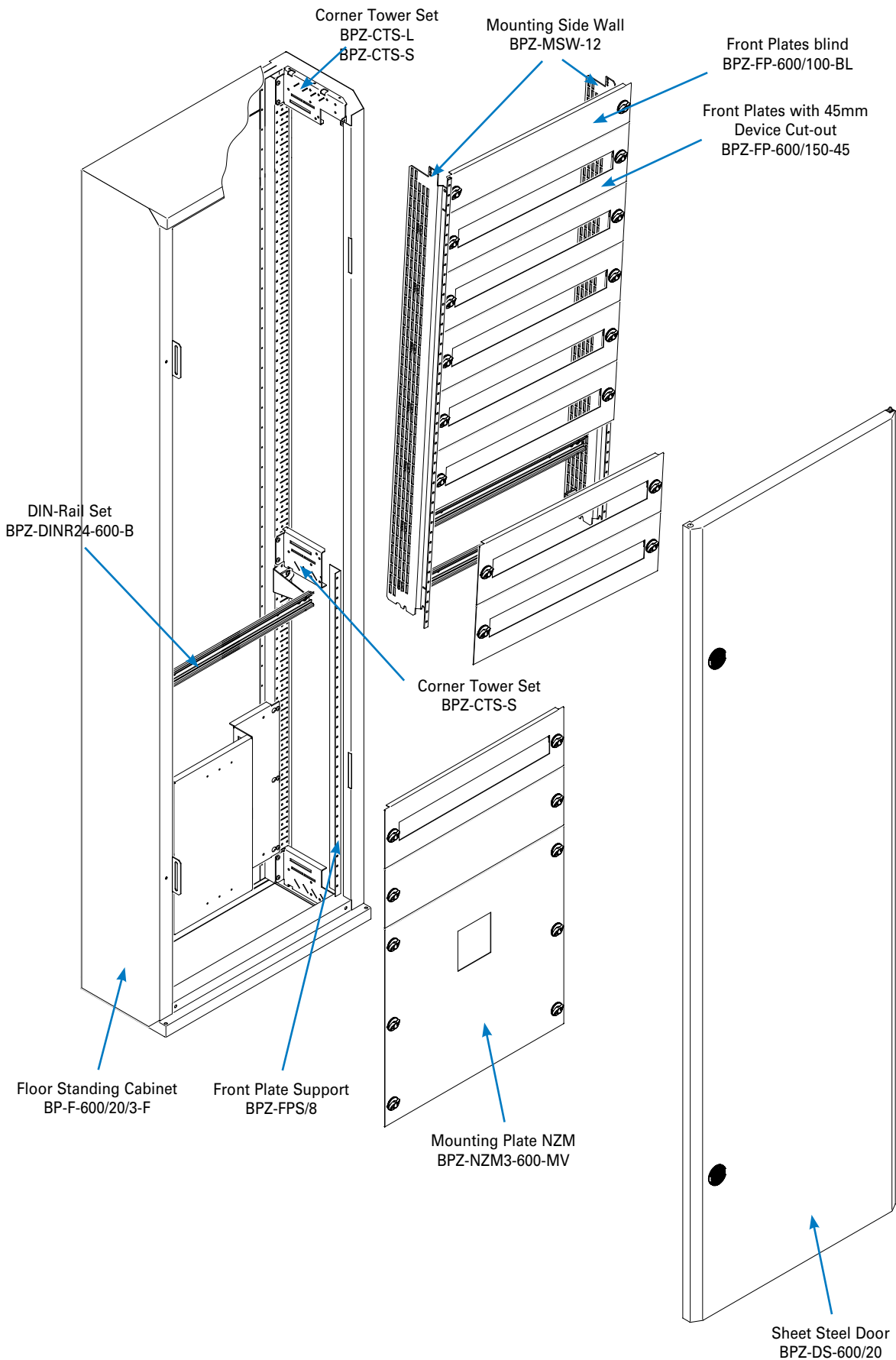
Separation Frame Set, BPZ-USF

- Only for flush-mounting boards with a width of 1000 and 1200 mm
- Only with MSW application
- For separate a 1000 or 1200 mm board in a 600/400 or 600/600 section
- Material: Sheet steel, powder-coated grey (RAL 7035) and white (RAL 9016)
- Delivered as: 1 Separation Frame and fixing material



System Overview

BP-F-..., IP30 (IP31), enclosure depth 250 / 300 / 400 mm



5.6

xEnergy Distribution Boards

Floor-standing distribution board BP-F-..., IP30



Width [mm]	Height [mm]	Height int. [mm]	Pre-assembled configuration individual installation / Incl. 2K-flanges on top/bottom / Door with rotary handle / Standard depth of 300 mm	Pre-assembled configuration individual installation / incl. 2K-flanges on top/bottom / Door with clip-down handle BPZ-SH-L / Standard depth of 300 mm	Pre-assembled configuration individual installation / Prepared for F3A-flanges on top/bottom / Door with clip-down handle BPZ-SH-L / Standard depth of 300 mm	Pre-assembled configuration for individual installation, incl. 2K-flanges on top/bottom / Door with rotary handle / Reduced depth of 250 mm	Pre-assembled configuration for individual installation, incl. 2K-flanges on top/bottom / Door with clip-down handle / Extended depth of 400 mm
			RAL 7035 grey Empty	RAL 9016 white Empty	RAL 7035 grey Empty	RAL 7035 grey Empty	
			Article No. per unit unit = 1 pc.	Article No. per unit unit = 1 pc.	Article No. per unit unit = 1 pc.	Article No. per unit unit = 1 pc.	Article No. per unit unit = 1 pc.

BP-F-..., IP30 - fully assembled

400 (13MU/row)	1760	1650	BP-F-400/17/3 102055	BP-F-400/17/3-W 102335	BP-F-400/17/3-P 102355	BP-F-400/17/3-P-W 102375	BP-F-400/17/3-P-F3A 187840	-	-
	2060	1950	BP-F-400/20/3 102056	BP-F-400/20/3-W 102336	BP-F-400/20/3-P 102356	BP-F-400/20/3-P-W 102376	BP-F-400/20/3-P-F3A 187841	BP-F-400/20/2,5 *) 119187	BP-F-400/20/4-P 119192
600 (24MU/row)	1760	1650	BP-F-600/17/3 102057	BP-F-600/17/3-W 102337	BP-F-600/17/3-P 102357	BP-F-600/17/3-P-W 102377	BP-F-600/17/3-P-F3A 187842	-	-
	2060	1950	BP-F-600/20/3 102058	BP-F-600/20/3-W 102338	BP-F-600/20/3-P 102358	BP-F-600/20/3-P-W 102378	BP-F-600/20/3-P-F3A 187843	BP-F-600/20/2,5 *) 119188	BP-F-600/20/4-P 119193
800 (35MU/row)	1760	1650	BP-F-800/17/3 102059	BP-F-800/17/3-W 102339	BP-F-800/17/3-P 102359	BP-F-800/17/3-P-W 102379	BP-F-800/17/3-P-F3A 187844	-	-
	2060	1950	BP-F-800/20/3 102320	BP-F-800/20/3-W 102340	BP-F-800/20/3-P 102360	BP-F-800/20/3-P-W 102380	BP-F-800/20/3-P-F3A 187845	BP-F-800/20/2,5 *) 119189	BP-F-800/20/4-P 119194
1000 (46MU/row)	1760	1650	BP-F-1000/17/3 102321	BP-F-1000/17/3-W 102341	BP-F-1000/17/3-P 102361	BP-F-1000/17/3-P-W 102381	BP-F-1000/17/3-P-F3A 187846	-	-
	2060	1950	BP-F-1000/20/3 102322	BP-F-1000/20/3-W 102342	BP-F-1000/20/3-P 102362	BP-F-1000/20/3-P-W 102382	BP-F-1000/20/3-P-F3A 187847	BP-F-1000/20/2,5 *) 119190	BP-F-1000/20/4-P 119195
1200 (57MU/row)	1760	1650	BP-F-1200/17/3 102323	BP-F-1200/17/3-W 102343	BP-F-1200/17/3-P 102363	BP-F-1200/17/3-P-W 102383	BP-F-1200/17/3-P-F3A 187848	-	-
	2060	1950	BP-F-1200/20/3 102324	BP-F-1200/20/3-W 102344	BP-F-1200/20/3-P 102364	BP-F-1200/20/3-P-W 102384	BP-F-1200/20/3-P-F3A 187849	BP-F-1200/20/2,5 *) 119191	BP-F-1200/20/4-P 119196

*) with a depth of 250mm only MSW mounting possible!

vt06905, wa_vt51413



wa_vt23313, wa_vt23413



vt10206



wa_vt09513, vt01310



wa_vt18013



Plinth 100 mm /
Side parts 1 pair /
Front cover /
Standard depth of 300 mm
RAL 7035 grey

RAL 9016 white

Cable arrangement /
Plinth 100 mm /
Cable strain-relief rail /
Standard depth of 300 mm
RAL 7035 grey

RAL 9016 white

Installation back frame /
Frontplate support

MSW installation /
Corner tower set /
2 pairs needed /
Snap element set (1x)

Mounting side wall (MSW)
with SNAP-element /
BPZ-SNAP

Article No.
per unit
unit = 1 pc.

Article No.
per unit
unit = 1 pc.

Article No.
per unit
unit = 1 pc.

Article No.
per unit
unit = 1 pc.

Article No.
per unit
unit = 1 pc.

Article No.
per unit
unit = 1 pc.

Article No.
per unit
unit = 1 pc.

BPZ-SS-1/3
293513
BPZ-FS-400/1
293493

BPZ-SS-1/3-W
293514
BPZ-FS-400/1-W
293494

BPZ-KR41/300
116269
BPZ-KFS-400
116293

BPZ-KR41/300-W
116277
BPZ-KFS-400
116293

BPZ-FPS/17
106431
BPZ-FPS/20
106430

BPZ-CTS-S
106445
BPZ-SNAP-MSW-CTS
131559

BPZ-MSW-17/SNAP
112289
BPZ-MSW-20/SNAP
112300

BPZ-SS-1/3
293513
BPZ-FS-600/1
293497

BPZ-SS-1/3-W
293514
BPZ-FS-600/1-W
293498

BPZ-KR61/300
116271
BPZ-KFS-600
116294

BPZ-KR61/300-W
116279
BPZ-KFS-600
116294

BPZ-FPS/17
106431
BPZ-FPS/20
106430

BPZ-CTS-S
106445
BPZ-SNAP-MSW-CTS
131559

BPZ-MSW-17/SNAP
112289
BPZ-MSW-20/SNAP
112300

BPZ-SS-1/3
293513
BPZ-FS-800/1
293501

BPZ-SS-1/3-W
293514
BPZ-FS-800/1-W
293502

BPZ-KR81/300
187882
BPZ-KFS-800
187892

BPZ-KR81/300-W
187886
BPZ-KFS-800
187892

BPZ-FPS/17
106431
BPZ-FPS/20
106430

BPZ-CTS-S
106445
BPZ-SNAP-MSW-CTS
131559

BPZ-MSW-17/SNAP
112289
BPZ-MSW-20/SNAP
112300

BPZ-SS-1/3
293513
BPZ-FS-1000/1
293505

BPZ-SS-1/3-W
293514
BPZ-FS-1000/1-W
293506

BPZ-KR101/300
187884
BPZ-KFS-1000
187893

BPZ-KR101/300-W
187888
BPZ-KFS-1000
187893

BPZ-FPS/17
106431
BPZ-FPS/20
106430

BPZ-CTS-S
106445
BPZ-SNAP-MSW-CTS
131559

BPZ-MSW-17/SNAP
112289
BPZ-MSW-20/SNAP
112300

BPZ-SS-1/3
293513
BPZ-FS-1200/1
293509

BPZ-SS-1/3-W
293514
BPZ-FS-1200/1-W
293510

BPZ-KR121/300
116275
BPZ-KFS-1200
116296

BPZ-KR121/300-W
116283
BPZ-KFS-1200
116296

BPZ-FPS/17
106431
BPZ-FPS/20
106430

BPZ-CTS-S
106445
BPZ-SNAP-MSW-CTS
131559

BPZ-MSW-17/SNAP
112289
BPZ-MSW-20/SNAP
112300

5.6

xEnergy Distribution Boards

Floor-standing distribution board BP-F-..., IP30



Width [mm]	Height [mm]	Height int. [mm]	Pre-assembled configuration Without flange plate / Without door / Standard depth of 300 mm	Pre-assembled configuration individual installation / Without flange plate / Without door / Standard depth of 300 mm	Pre-assembled configuration prepared for MSW installation / Without flange plate / Without door / Reduced depth of 250 mm	Pre-assembled configuration prepared for MSW installation / Without flange plate / Without door / Extended depth of 400 mm	Sheet metal door / Rotary handle	Sheet metal door / Rotary handle
			RAL 7035 grey Empty	RAL 9016 white	RAL 7035 grey Empty		RAL 7035 grey	RAL 9016 white
			Article No. per unit unit = 1 pc.	Article No. per unit unit = 1 pc.	Article No. per unit unit = 1 pc.	Article No. per unit unit = 1 pc.	Article No. per unit unit = 1 pc.	Article No. per unit unit = 1 pc.

BP-F-..., IP30 - fully assembled

400 (13MU/row)	1760	1650	BP-F-400/17/3-F 102395	BP-F-400/17/3-F-W 102407	-	-	BPZ-DS-400/17 102419	BPZ-DS-400/17-W 102443
	2060	1950	BP-F-400/20/3-F 102396	BP-F-400/20/3-F-W 102408	BP-F-400/20/2,5-F 120754	BP-F-400/20/4-F 120759	BPZ-DS-400/20 102420	BPZ-DS-400/20-W 102444
600 (24MU/row)	1760	1650	BP-F-600/17/3-F 102397	BP-F-600/17/3-F-W 102409	-	-	BPZ-DS-600/17 102421	BPZ-DS-600/17-W 102445
	2060	1950	BP-F-600/20/3-F 102398	BP-F-600/20/3-F-W 102410	BP-F-600/20/2,5-F 120755	BP-F-600/20/4-F 120760	BPZ-DS-600/20 102422	BPZ-DS-600/20-W 102446
800 (35MU/row)	1760	1650	BP-F-800/17/3-F 102399	BP-F-800/17/3-F-W 102411	-	-	BPZ-DS-800/17 102423	BPZ-DS-800/17-W 102447
	2060	1950	BP-F-800/20/3-F 102400	BP-F-800/20/3-F-W 102412	BP-F-800/20/2,5-F 120756	BP-F-800/20/4-F 120761	BPZ-DS-800/20 102424	BPZ-DS-800/20-W 102448
1000 (46MU/row)	1760	1650	BP-F-1000/17/3-F 120691	BP-F-1000/17/3-F-W 120695	-	-	BPZ-DS-400/17-L + BPZ-DS-600/17 106374 + 102421	BPZ-DS-400/17-L-W + BPZ-DS-600/17-W 106378 + 102445
	2060	1950	BP-F-1000/20/3-F 120692	BP-F-1000/20/3-F-W 120696	BP-F-1000/20/2,5-F 120757	BP-F-1000/20/4-F 120762	BPZ-DS-400/20-L + BPZ-DS-600/20 106375 + 102422	BPZ-DS-400/20-L-W + BPZ-DS-600/20-W 106379 + 102446
1200 (57MU/row)	1760	1650	BP-F-1200/17/3-F 120693	BP-F-1200/17/3-F-W 120697	-	-	BPZ-DS-600/17-L + BPZ-DS-600/17 106376 + 102421	BPZ-DS-600/17-L-W + BPZ-DS-600/17-W 106420 + 102445
	2060	1950	BP-F-1200/20/3-F 120694	BP-F-1200/20/3-F-W 120698	BP-F-1200/20/2,5-F 120758	BP-F-1200/20/4-F 120763	BPZ-DS-600/20-L + BPZ-DS-600/20 106377 + 102422	BPZ-DS-600/20-L-W + BPZ-DS-600/20-W 106421 + 102446

vt00106



wa_vt03913



vt00206



Sheet metal door
(transparent)
Rotary handle

Sheet metal door
Clip-down handle

Sheet metal door
(transparent)
Clip-down handle

RAL 7035 grey

RAL 9016 white

RAL 7035 grey

RAL 9016 white

RAL 7035 grey

RAL 9016 white

Article No.
per unit
unit = 1 pc.

Article No.
per unit
unit = 1 pc.

Article No.
per unit
unit = 1 pc.

Article No.
per unit
unit = 1 pc.

Article No.
per unit
unit = 1 pc.

Article No.
per unit
unit = 1 pc.

BPZ-DT-400/17 102431	BPZ-DT-400/17-W 102455	BPZ-DS-400/17-P 102425	BPZ-DS-400/17-P-W 102449	BPZ-DT-400/17-P 102437	BPZ-DT-400/17-P-W 102461
BPZ-DT-400/20 102432	BPZ-DT-400/20-W 102456	BPZ-DS-400/20-P 102426	BPZ-DS-400/20-P-W 102450	BPZ-DT-400/20-P 102438	BPZ-DT-400/20-P-W 102462
BPZ-DT-600/17 102433	BPZ-DT-600/17-W 102457	BPZ-DS-600/17-P 102427	BPZ-DS-600/17-P-W 102451	BPZ-DT-600/17-P 102439	BPZ-DT-600/17-P-W 102463
BPZ-DT-600/20 102434	BPZ-DT-600/20-W 102458	BPZ-DS-600/20-P 102428	BPZ-DS-600/20-P-W 102452	BPZ-DT-600/20-P 102440	BPZ-DT-600/20-P-W 102464
BPZ-DT-800/17 102435	BPZ-DT-800/17-W 102459	BPZ-DS-800/17-P 102429	BPZ-DS-800/17-P-W 102453	BPZ-DT-800/17-P 102441	BPZ-DT-800/17-P-W 102465
BPZ-DT-800/20 102436	BPZ-DT-800/20-W 102460	BPZ-DS-800/20-P 102430	BPZ-DS-800/20-P-W 102454	BPZ-DT-800/20-P 102442	BPZ-DT-800/20-P-W 102466
BPZ-DT-400/17-L + BPZ-DT-600/17 106422 + 102433	BPZ-DT-400/17-L-W + BPZ-DT-600/17-W 106426 + 102457	BPZ-DS-400/17-L + BPZ-DS-600/17-P 106374 + 102427	BPZ-DS-400/17-L-W + BPZ-DS-600/17-P-W 106378 + 102451	BPZ-DT-400/17-L + BPZ-DT-600/17-P 106422 + 102439	BPZ-DT-400/17-L-W + BPZ-DT-600/17-P-W 106426 + 102463
BPZ-DT-400/20-L + BPZ-DT-600/20 106423 + 102434	BPZ-DT-400/20-L-W + BPZ-DT-600/20-W 106427 + 102458	BPZ-DS-400/20-L + BPZ-DS-600/20-P 106375 + 102428	BPZ-DS-400/20-L-W + BPZ-DS-600/20-P-W 106379 + 102452	BPZ-DT-400/20-L + BPZ-DT-600/20-P 106423 + 102440	BPZ-DT-400/20-L-W + BPZ-DT-600/20-P-W 106427 + 102464
BPZ-DT-600/17-L + BPZ-DT-600/17 106424 + 102433	BPZ-DT-600/17-L-W + BPZ-DT-600/17-W 106428 + 102457	BPZ-DS-600/17-L + BPZ-DS-600/17-P 106376 + 102427	BPZ-DS-600/17-L-W + BPZ-DS-600/17-P-W 106420 + 102451	BPZ-DT-600/17-L + BPZ-DT-600/17-P 106424 + 102439	BPZ-DT-600/17-L-W + BPZ-DT-600/17-P-W 106428 + 102463
BPZ-DT-600/20-L + BPZ-DT-600/20 106425 + 102434	BPZ-DT-600/20-L-W + BPZ-DT-600/20-W 106429 + 102458	BPZ-DS-600/20-L + BPZ-DS-600/20-P 106377 + 102428	BPZ-DS-600/20-L-W + BPZ-DS-600/20-P-W 106421 + 102452	BPZ-DT-600/20-L + BPZ-DT-600/20-P 106425 + 102440	BPZ-DT-600/20-L-W + BPZ-DT-600/20-P-W 106429 + 102464

5.6

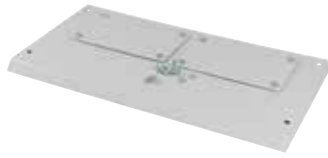
xEnergy Distribution Boards

Floor-standing distribution board BP-F-..., IP30

wa_vt03613



vt15218



vt08905, wa_vt51413



vt02918, wa_vt51413



Width [mm]	Height [mm]	Height int. [mm]	Add-on canopy for IP31 applications incl. F3A-XP		Plinth 100 mm Side parts 1 pair / Front cover Reduced depth of 250 mm		Plinth 100 mm Side parts 1 pair blind-open for cable guiding between the sections / Front cover	
			RAL 7035 grey	RAL 9016 white	RAL 7035 grey	Extended depth of 400 mm	RAL 7035 grey standard depth of 300mm	RAL 9016 white
			Article No. per unit unit = 1 pc.	Article No. per unit unit = 1 pc.	Article No. per unit unit = 1 pc.	Article No. per unit unit = 1 pc.	Article No. per unit unit = 1 pc.	Article No. per unit unit = 1 pc.

BP-F-..., IP30 - fully assembled

Width [mm]	Height [mm]	Height int. [mm]	Article No. per unit unit = 1 pc.	Article No. per unit unit = 1 pc.	Article No. per unit unit = 1 pc.	Article No. per unit unit = 1 pc.	Article No. per unit unit = 1 pc.	Article No. per unit unit = 1 pc.
400 (13MU/row)	1760	1650	BPZ-CNP-400-IP31 194536	BPZ-CNP-400-IP31-W 194541	BPZ-SS-1/250 119166	BPZ-SS-1/400 119165	BPZ-SS-1/300/SET/BO 119181	BPZ-SS-1/300/SET/BO-W 119185
	2060	1950			BPZ-FS-400/1 293493	BPZ-FS-400/1 293493	BPZ-FS-400/1 293493	BPZ-FS-400/1-W 293494
600 (24MU/row)	1760	1650	BPZ-CNP-600-IP31 194537	BPZ-CNP-600-IP31-W 194542	BPZ-SS-1/250 119166	BPZ-SS-1/400 119165	BPZ-SS-1/300/SET/BO 119181	BPZ-SS-1/300/SET/BO-W 119185
	2060	1950			BPZ-FS-600/1 293497	BPZ-FS-600/1 293497	BPZ-FS-600/1 293497	BPZ-FS-600/1-W 293498
800 (35MU/row)	1760	1650	BPZ-CNP-800-IP31 194538	BPZ-CNP-800-IP31-W 194543	BPZ-SS-1/250 119166	BPZ-SS-1/400 119165	BPZ-SS-1/300/SET/BO 119181	BPZ-SS-1/300/SET/BO-W 119185
	2060	1950			BPZ-FS-800/1 293501	BPZ-FS-800/1 293501	BPZ-FS-800/1 293501	BPZ-FS-800/1-W 293502
1000 (46MU/row)	1760	1650	BPZ-CNP-1000-IP31 194539	BPZ-CNP-1000-IP31-W 194544	BPZ-SS-1/250 119166	BPZ-SS-1/400 119165	BPZ-SS-1/300/SET/BO 119181	BPZ-SS-1/300/SET/BO-W 119185
	2060	1950			BPZ-FS-1000/1 293505	BPZ-FS-1000/1 293505	BPZ-FS-1000/1 293505	BPZ-FS-1000/1-W 293506
1200 (57MU/row)	1760	1650	BPZ-CNP-1200-IP31 194540	BPZ-CNP-1200-IP31-W 194545	BPZ-SS-1/250 119166	BPZ-SS-1/400 119165	BPZ-SS-1/300/SET/BO 119181	BPZ-SS-1/300/SET/BO-W 119185
	2060	1950			BPZ-FS-1200/1 293509	BPZ-FS-1200/1 293509	BPZ-FS-1200/1 293509	BPZ-FS-1200/1-W 293510

vi02918, wa_vt51413



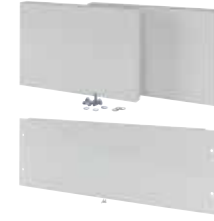
vi02918, wa_vt51413



vi02818, vi02718



vi02818, vi02718



Plinth 100 mm Side parts 1 pair open-open for cable guiding between the sections / Front cover		Plinth 100 mm / for cable guiding between the sections / Front cover Side parts 1 pair blind-open		Plinth 200 mm Side parts 1 pair / Front cover		Plinth 200 mm Side parts 1 pair / Front cover	
RAL 7035 grey standard depth of 300 mm	RAL 9016 white	RAL 7035 grey extended depth of 400mm		RAL 7035 grey standard depth of 300 mm	RAL 9016 white	grey RAL 7035 reduced depth of 250 mm	grey RAL 7035 extended depth of 400 mm
Article No. per unit unit = 1 pc.	Article No. per unit unit = 1 pc.	Article No. per unit unit = 1 pc.	Article No. per unit unit = 1 pc.	Article No. per unit unit = 1 pc.	Article No. per unit unit = 1 pc.	Article No. per unit unit = 1 pc.	Article No. per unit unit = 1 pc.

BPZ-SS-1/300/SET/00 119182	BPZ-SS-1/300/SET/00-W 119186	BPZ-SS-1/400/SET/BO 119177	BPZ-SS-1/400/SET/00 119178	BPZ-SS-2/3 293517	BPZ-SS-2/3-W 293518	BPZ-SS-2/250 119170	BPZ-SS-2/400 119169
BPZ-FS-400/1 293493	BPZ-FS-400/1-W 293494	BPZ-FS-400/1 293493	BPZ-FS-400/1 293493	BPZ-FS-400/2 293495	BPZ-FS-400/2-W 293496	BPZ-FS-400/2 293495	BPZ-FS-400/2 293495
BPZ-SS-1/300/SET/00 119182	BPZ-SS-1/300/SET/00-W 119186	BPZ-SS-1/400/SET/BO 119177	BPZ-SS-1/400/SET/00 119178	BPZ-SS-2/3 293517	BPZ-SS-2/3-W 293518	BPZ-SS-2/250 119170	BPZ-SS-2/400 119169
BPZ-FS-600/1 293497	BPZ-FS-600/1-W 293498	BPZ-FS-600/1 293497	BPZ-FS-600/1 293497	BPZ-FS-600/2 293499	BPZ-FS-600/2-W 293500	BPZ-FS-600/2 293499	BPZ-FS-600/2 293499
BPZ-SS-1/300/SET/00 119182	BPZ-SS-1/300/SET/00-W 119186	BPZ-SS-1/400/SET/BO 119177	BPZ-SS-1/400/SET/00 119178	BPZ-SS-2/3 293517	BPZ-SS-2/3-W 293518	BPZ-SS-2/250 119170	BPZ-SS-2/400 119169
BPZ-FS-800/1 293501	BPZ-FS-800/1-W 293502	BPZ-FS-800/1 293501	BPZ-FS-800/1 293501	BPZ-FS-800/2 293503	BPZ-FS-800/2-W 293504	BPZ-FS-800/2 293503	BPZ-FS-800/2 293503
BPZ-SS-1/300/SET/00 119182	BPZ-SS-1/300/SET/00-W 119186	BPZ-SS-1/400/SET/BO 119177	BPZ-SS-1/400/SET/00 119178	BPZ-SS-2/3 293517	BPZ-SS-2/3-W 293518	BPZ-SS-2/250 119170	BPZ-SS-2/400 119169
BPZ-FS-1000/1 293505	BPZ-FS-1000/1-W 293506	BPZ-FS-1000/1 293505	BPZ-FS-1000/1 293505	BPZ-FS-1000/2 293507	BPZ-FS-1000/2-W 293508	BPZ-FS-1000/2 293507	BPZ-FS-1000/2 293507
BPZ-SS-1/300/SET/00 119182	BPZ-SS-1/300/SET/00-W 119186	BPZ-SS-1/400/SET/BO 119177	BPZ-SS-1/400/SET/00 119178	BPZ-SS-2/3 293517	BPZ-SS-2/3-W 293518	BPZ-SS-2/250 119170	BPZ-SS-2/400 119169
BPZ-FS-1200/1 293509	BPZ-FS-1200/1-W 293510	BPZ-FS-1200/1 293509	BPZ-FS-1200/1 293509	BPZ-FS-1200/2 293511	BPZ-FS-1200/2-W 293512	BPZ-FS-1200/2 293511	BPZ-FS-1200/2 293511

Description

BP-F-..., IP30 (IP31), enclosure depth 250 / 300 / 400 mm

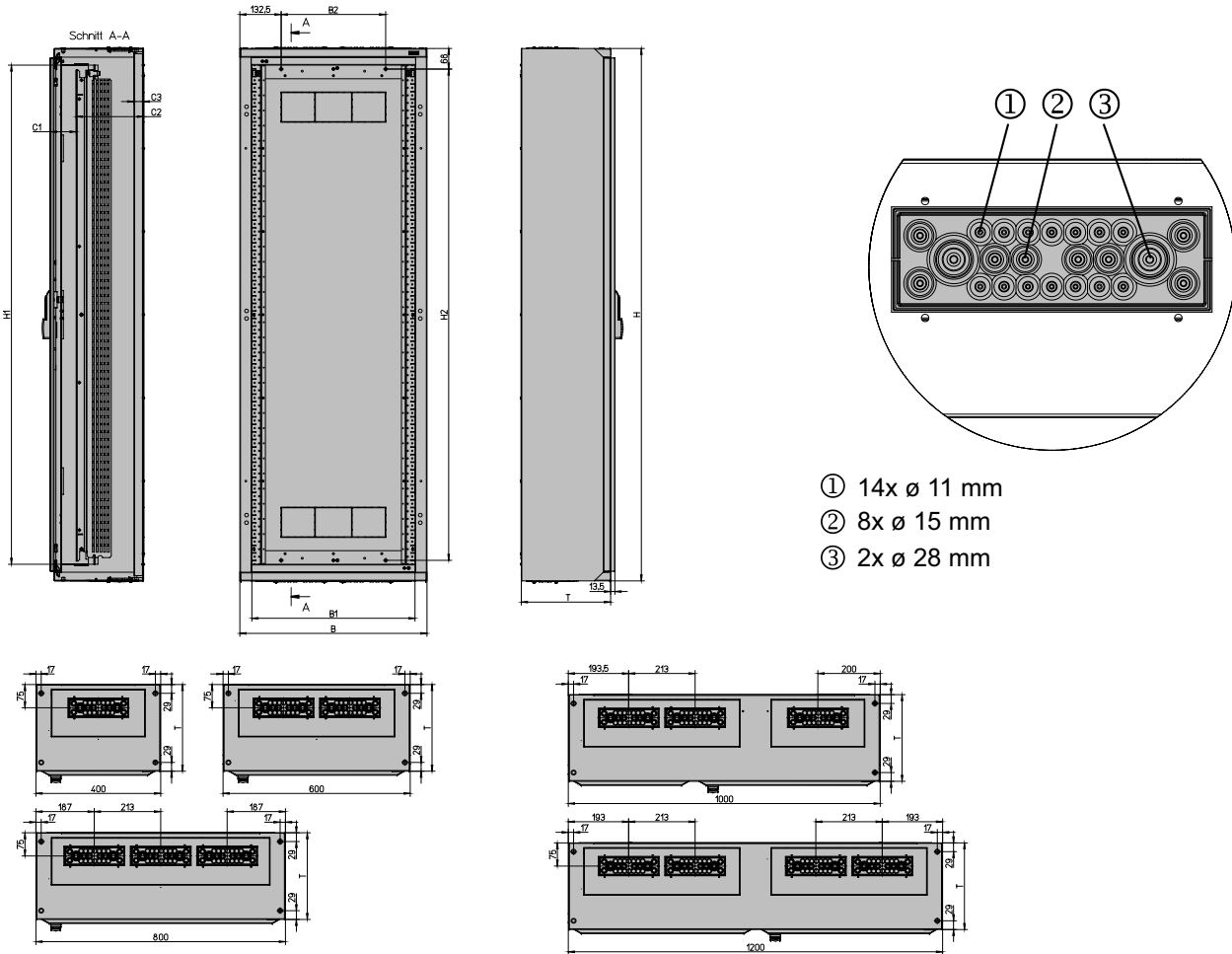
- Complete cabinets prepared for Profi+ installation system
- Degree of protection IP30
- Impact resistance IK08
- Protection class I (protective earth)
- Cable entry / flange plate individually configurable
- Quick and easy change of the hinge direction, door opening angle ~160°
- Standard plastic cam lock or Rotary lever closing mechanism
- Additional wall fixing to avoid tilting
- Enclosure made from powder-coated sheet steel, RAL 7035 / RAL 9016
- Variable interior installation either with "Mounting base frame" or "Mounting side panel" (MSW)

Technical data

	BP-F-...
Electrical	
Type conforms to	IEC/EN 62208
Protection class	I (protective earth)
Degree of protection	IP30 (closed version with door/flansche) IP31 (special add-on canopy BPZ-CNP-...-IP31 required) IP2XC (door open, user access level has to be closed properly with front covers)
Impact resistance	IK08
Rated operational voltage	415 VAC / 50 Hz
Rated current	Max. 630 A (depending on the type of incoming circuit breaker or the busbar system being used)
Earthing concept for the enclosure	
Main earthing	By means of M8 welding bolts
Door earthing	By means of M6 welding bolts
The permissible temperature increases for switchgear assemblies with a rated current of up to 630 A can be evaluated in accordance with section 10.10.4.2 of IEC/EN 61439-1.	
For the maximum permissible heat dissipation for all devices inside the distribution board at an ambient temperature of 35° C and ΔT of 20 K / 35 K at an enclosure height of 75 %, please refer to the table on enclosure dimensions; (calculation method acc.to IEC/TR 60890).	
Mechanical	
Enclosure	Excellent stability thanks to the welded construction
Material	Sheet steel 1 mm, phosphated and polyester powder coated (structured) with corrosion protection
Colour	Traffic white, RAL 9016 / Light grey RAL 7035
Door	Hinges on the inside, door opening angle ~160° (in case of lateral alignment ~100°) Doors with transparent window individually configurable, hinged either left or right width 1000 / 1200 mm in double-wing design
Type	Flexible interior fitting with installation units Profi+ on base frame or „mounting side panel“ (MSW) Mounting base frame: multi-layer construction, installation directly in the enclosure, robust and structured Mounting side panel (MSW): removable mounting insert, external installation, fast and reliable
Locking mechanism	Two-point locking mechanism with standard cam lock (plastic), optional metal lock with standard locking or two-way key bit Three-point locking mechanism with rotary lever and rod drive (optional lock cylinder as accessory)
Cable entry	Complete cabinets equipped with two-component membrane flanges on both sides, single cabinets are individually configurable Closed cable entry / flange plate, with two-component flanges equipped or prepared for F3A-flanges
Ambient condition	Indoor installation (Assembly with/without plinth with additional fixing to a wall, „stand-alone“ not recommended) Max. ambient temperature +40° C Min. ambient temperature -5° C
Halogen-free, RoHS	< 1%, yes
Accessories	Several base versions with height 100 / 200mm, other locking mechanism for door closing Transparent doors, add-on canopy (IP31), wall fixing brackets
Delivered as	Complete cabinet prepared for „Mounting base frame“ or „MSW“ (depending on interior fitting all corresponding parts for „Mounting base frame“ respectively „MSW“ have to be ordered separately)

Dimensions (mm)

BP-F-..., IP30 (IP31), enclosure depth 250 / 300 / 400 mm

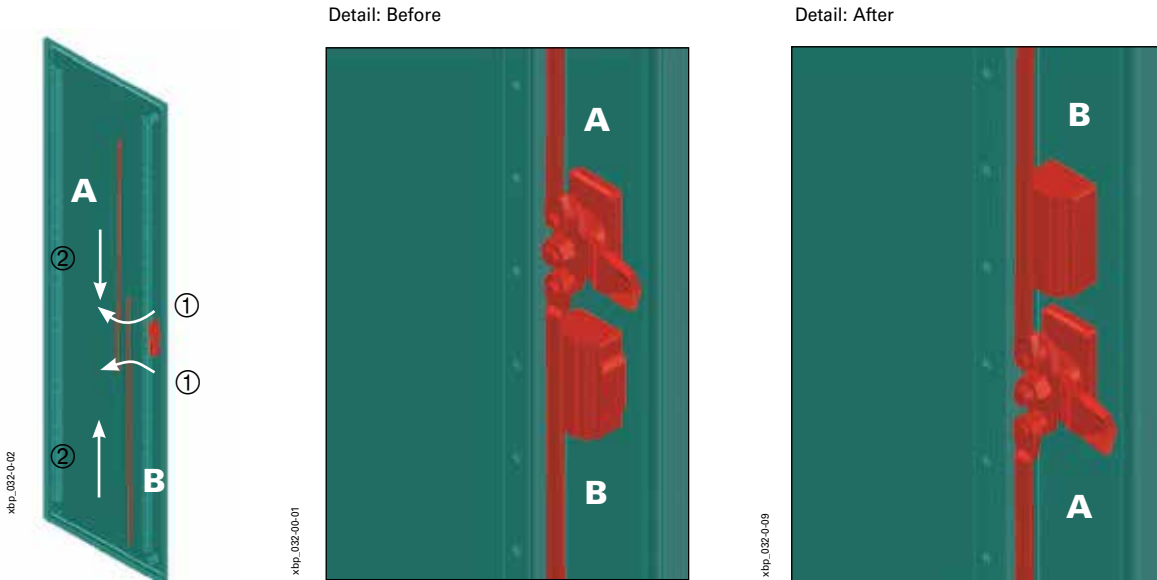


- ① 14x \varnothing 11 mm
- ② 8x \varnothing 15 mm
- ③ 2x \varnothing 28 mm

Type	Overall dimensions			Internal dimensions (front plate)		Wall mounting (Enclosure directly)		BPZ-MSW		BPZ-FPS			Pv [W] (ΔT 20K)	Pv [W] (ΔT 35K)
	Width B	Height H	Depth T	Width B1	Height H1	Width B2	Height H2	C1	C2	C1	C2	C3		
BP-F-400/17/3	400	1760	286.5	320	1650	135	1624	83	215	110	185	30	84	168
BP-F-400/17/3	400	2060	286.5	320	1950	135	1924	83	215	110	185	30	101	202
BP-F-600/17/3	600	1760	286.5	520	1650	335	1624	83	215	110	185	30	126	253
BP-F-600/17/3	600	2060	286.5	520	1950	335	1924	83	215	110	185	30	147	294
BP-F-800/17/3	800	1760	286.5	720	1650	535	1624	83	215	110	185	30	173	347
BP-F-800/17/3	800	2060	286.5	720	1950	535	1924	83	215	110	185	30	189	380
BP-F-1000/17/3	1000	1760	286.5	920	1650	735	1624	83	215	110	185	30	206	413
BP-F-1000/17/3	1000	2060	286.5	920	1950	735	1924	83	215	110	185	30	222	445
BP-F-1200/17/3	1200	1760	286.5	1120	1650	935	1624	83	215	110	185	30	237	474
BP-F-1200/17/3	1200	2060	286.5	1120	1950	935	1924	83	215	110	185	30	259	520
BP-F-400/20/2,5	400	2060	236.5	320	1950	135	1924	78	170	-	-	-	84	168
BP-F-600/20/2,5	600	2060	236.5	520	1950	335	1924	78	170	-	-	-	127	255
BP-F-800/20/2,5	800	2060	236.5	720	1950	535	1924	78	170	-	-	-	177	355
BP-F-1000/20/2,5	1000	2060	236.5	920	1950	735	1924	78	170	-	-	-	205	410
BP-F-1200/20/2,5	1200	2060	236.5	1120	1950	935	1924	78	170	-	-	-	240	481
BP-F-400/20/4	400	2060	386.5	320	1950	135	1924	98	300	-	-	30	128	258
BP-F-600/20/4	600	2060	386.5	520	1950	335	1924	98	300	-	-	30	183	367
BP-F-800/20/4	800	2060	386.5	720	1950	535	1924	98	300	-	-	30	217	435
BP-F-1000/20/4	1000	2060	386.5	920	1950	735	1924	98	300	-	-	30	257	515
BP-F-1200/20/4	1200	2060	386.5	1120	1950	935	1924	98	300	-	-	30	292	585

Change of clip down handle for change of direction of opening of door

1. Demounting of rods – removing from lock mechanism
2. Demounting of rods – taking out from fastening lugs



Sheet Steel Doors, BPZ-DS and Transparent Doors BPZ-DT

- Front-mounted
- Quick mounting and removing of the door
- Right or left hinged
- Opening angle ~160°
- 1-point lock through rotary lock, 3-point lock through clip-down handle
- Material: Sheet steel, powder-coated, RAL 7035 or RAL 9016
BPZ-DT: Sheet steel framework incl. ESG 4 mm

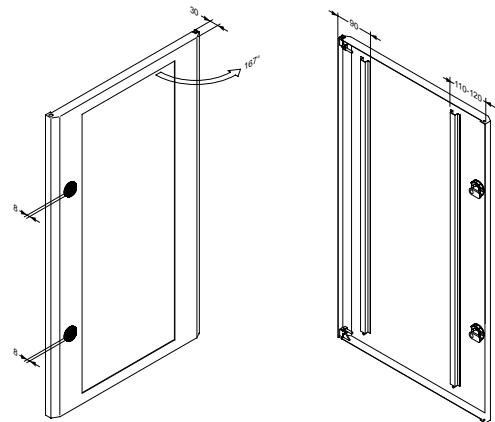
• Weight (kg) BPZ-DS:

Width (mm)	400	600	800	600+400	600+600
Height 1700	6,2	9	11,8	9+6,5	9+9,1
Height 2000	7,3	10,6	13,8	10,6+7,7	10,6+10,6

• Weight (kg) BPZ-DT:

Width (mm)	400	600	800	600+400	600+600
Height 1700	8,1	13,3	16	13,3+10,9	13,3+16,9
Height 2000	9,4	15,6	18,6	15,6+12,7	15,6+19,8

- Delivered as: 1 Door

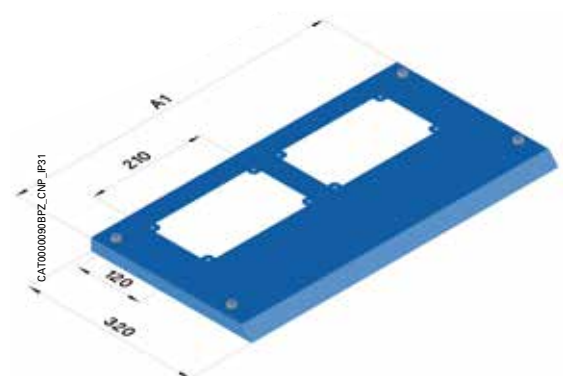


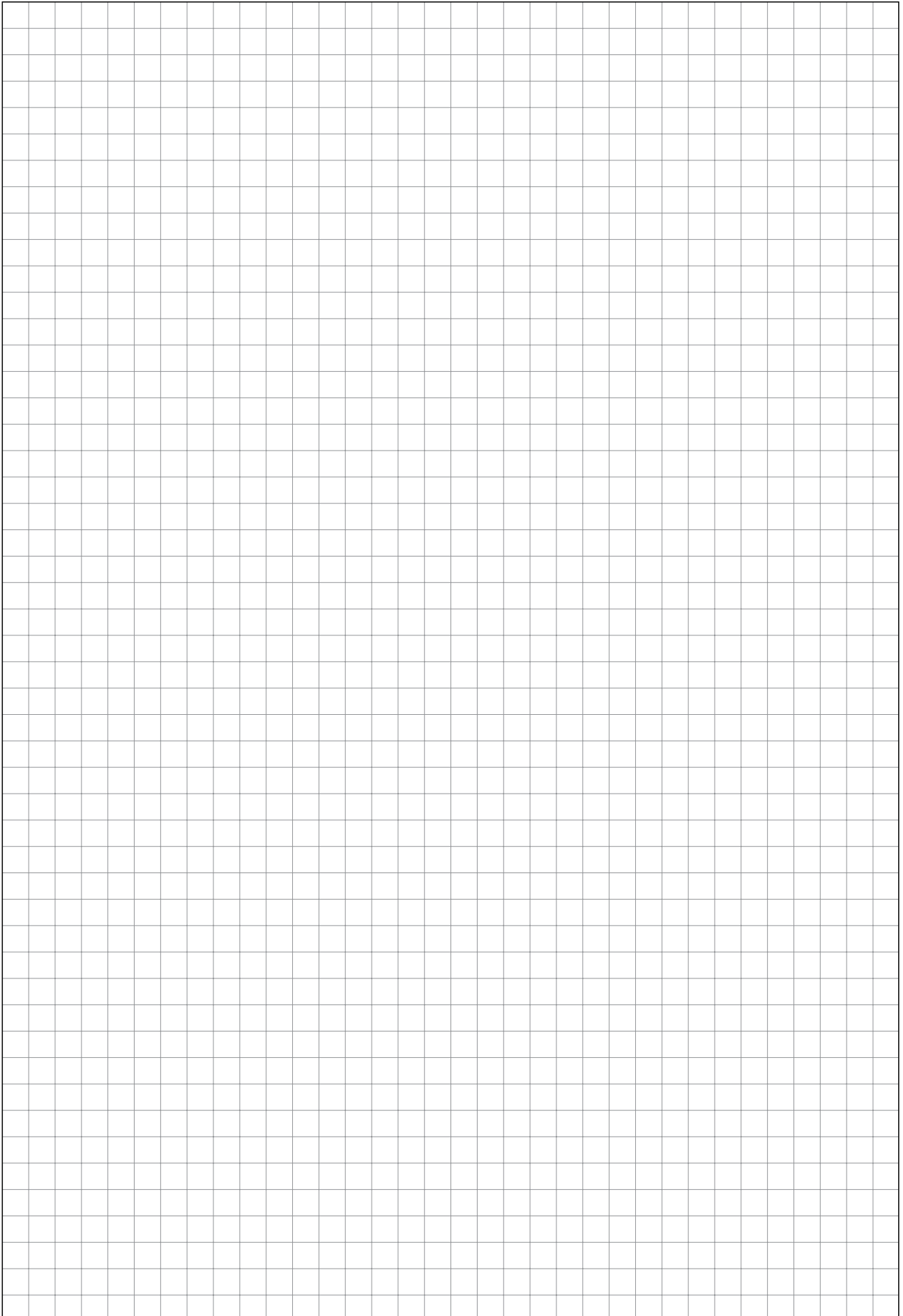
Add-on canopy for IP31 applications, BPZ-CNP

- Intended to be used for floor-standing distribution boards to upgrade from IP30 to IP31
- Possible for new installations as well as for retrofit in existing applications
- Material: Sheet steel, powder-coated, RAL 7035 or RAL 9016, thickness 1.25 mm
- Delivered as: 1 canopy, F3A-XP flanges, fixing material

Dimensions (mm)

Type	Outside width	incl. F3A-XP flange
	A1	
BP-TBP1-400-F3A-IP31	405	Yes (1 pc.)
BP-TBP1-600-F3A-IP31	605	Yes (2 pcs.)
BP-TBP1-800-F3A-IP31	805	Yes (3 pcs.)
BP-TBP1-1000-F3A-IP31	1005	Yes (3 pcs.)
BP-TBP1-1200-F3A-IP31	1205	Yes (4 pcs.)





5.7

xEnergy Distribution Boards

Distribution boards for special applications, BP-MN / BP-VF

wa_vt24013



vt06905, wa_vt51413



Width [mm]	Height [mm]	Height int. [mm]	Open distribution board depth 175 mm welded construction / IP2XC wall-mounted / floor-standing shift-back flange on top / bottom closed / without door incl. MSW mounting insert BPZ-MES	Open distribution board depth 175 mm welded construction / IP2XC wall-mounted / floor-standing shift-back flange on top / bottom closed / without door	Plinth 100 mm [Plinth 200 mm] Side parts 1 pair / Front cover
			RAL 7035 grey	RAL 7035 grey Empty	RAL 7035 grey
			Article No. per unit unit = 1 pc.	Article No. per unit unit = 1 pc.	Article No. per unit unit = 1 pc.

BP-MN-..., IP2XC - fully assembled

400 (13MU/ row)	700	650	-	-	-
	1000	950	-	-	-
	1200	1150	-	-	-
600 (24MU/ row)	400	350	BP-MN-MES-600/4-ST 143130	BP-MN-600/4/1,75 119197	BPZ-MN-SS/1/175 119214
	700	650	BP-MN-MES-600/7-ST 143133	BP-MN-600/7/1,75 119198	[BPZ-MN-SS/2/175] [119215]
	1000	950	BP-MN-MES-600/10-ST 143136	BP-MN-600/10/1,75 119199	BPZ-MN-FS-600/1 120685
	1200	1150	BP-MN-MES-600/12-ST 143139	BP-MN-600/12/1,75 119200	[BPZ-MN-FS-600/2] [120686]
	1500	1450	BP-MN-MES-600/15-ST 143142	BP-MN-600/15/1,75 119201	
	1700	1650	-	BP-MN-600/17/1,75 119202	
	2000	1950	-	BP-MN-600/20/1,75 119203	
800 (35MU/ row)	1000	950	BP-MN-MES-800/10-ST 143145	BP-MN-800/10/1,75 119204	BPZ-MN-SS/1/175 119214
	1200	1150	BP-MN-MES-800/12-ST 143148	BP-MN-800/12/1,75 119205	[BPZ-MN-SS/2/175] [119215]
	1500	1450	BP-MN-MES-800/15-ST 143151	BP-MN-800/15/1,75 119206	BPZ-MN-FS-800/1 120687
	1700	1650	-	BP-MN-800/17/1,75 119207	[BPZ-MN-FS-800/2] [120688]
	2000	1950	-	BP-MN-800/20/1,75 119208	
	1700	1650	-	-	
	2000	1950	-	-	

wa_v10814, wa_v11114



wa_v24113



Outdoor distribution board welded construction /
IP44/IK10 stand-alone application mounted on base A-KU
[applicable polyester base]

MSW mounting insert especially designed for BP-MN / BP-VF
incl. Front covers, DIN-rails (distance between rails mainly
150 mm)

RAL 7035 grey
Empty

Article No.
per unit
unit = 1 pc.

RAL 7035 grey
Empty

Article No.
per unit
unit = 1 pc.

-	-	BPZ-MES-400/7-ST 119307
BP-VF-400/10 125830	[A-KU3] [274823]	BPZ-MES-400/10-ST 119308
BP-VF-400/12 125833	[A-KU3] [274823]	BPZ-MES-400/12-ST 119309
-	-	BPZ-MES-600/4-ST 119310
-	-	BPZ-MES-600/7-ST 119311
BP-VF-600/10 125831	[A-KU3] [274823]	BPZ-MES-600/10-ST 119312
BP-VF-600/12 125834	[A-KU3] [274823]	BPZ-MES-600/12-ST 119313
-	-	BPZ-MES-600/15-ST 119314
-	-	BPZ-MES-600/17-ST 119315
-	-	BPZ-MES-600/20-ST 119316
BP-VF-800/10 125832	[A-KU3] [274823]	BPZ-MES-800/10-ST 119317
BP-VF-800/12 125835	[A-KU3] [274823]	BPZ-MES-800/12-ST 119318
-	-	BPZ-MES-800/15-ST 119319
-	-	BPZ-MES-800/17-ST 119320
-	-	BPZ-MES-800/20-ST 119321
-	-	BPZ-MES-1200/17-ST 119329
-	-	BPZ-MES-1200/20-ST 119330

5.7

xEnergy Distribution Boards

Distribution boards for special applications, BP-MN / BP-VF

wa_vt24013



vt06905, wa_vt51413



Width [mm]	Height [mm]	Height int. [mm]	Open distribution board depth 175 mm welded construction / IP2XC wall-mounted / floor-standing shift-back flange on top / bottom closed / without door	Open distribution board depth 175 mm welded construction / IP2XC wall-mounted / floor-standing shift-back flange on top / bottom closed / without door	Plinth 100 mm [Plinth 200 mm] Side parts 1 pair / Front cover
			BP-MN-..., IP2XC - incl. MSW mounting insert BPZ-MES		
			RAL 7035 grey	RAL 7035 grey Empty	RAL 7035 grey
			Article No. per unit unit = 1 pc.	Article No. per unit unit = 1 pc.	Article No. per unit unit = 1 pc.

BP-MN-..., IP2XC - fully assembled

1000 (46MU/ row)	1000	950	BP-MN-MES-1000/10-ST 143154	BP-MN-1000/10/1,75 119209	BPZ-MN-SS/1/175 119214
	1200	1150	BP-MN-MES-1000/12-ST 143157	BP-MN-1000/12/1,75 119210	[BPZ-MN-SS/2/175] [119215]
	1500	1450	BP-MN-MES-1000/15-ST 143160	BP-MN-1000/15/1,75 119211	BPZ-MN-FS-1000/1 120689
	1700	1650	-	BP-MN-1000/17/1,75 119212	[BPZ-MN-FS-1000/2] [120690]
	2000	1950	-	BP-MN-1000/20/1,75 119213	
1200 (57MU/ row)	1200	1150	-	-	-
	1500	1450	-	-	-
	1700	1650	-	-	-
	2000	1950	-	-	-

wa_vt10814, wa_vt11114



wa_vt24113



Outdoor distribution board welded construction /
IP44/IK10 stand-alone application mounted on base A-KU
(applicable polyester base)

MSW mounting insert especially designed for BP-MN / BP-VF
incl. Front covers, DIN-rails (distance between rails mainly
150 mm)

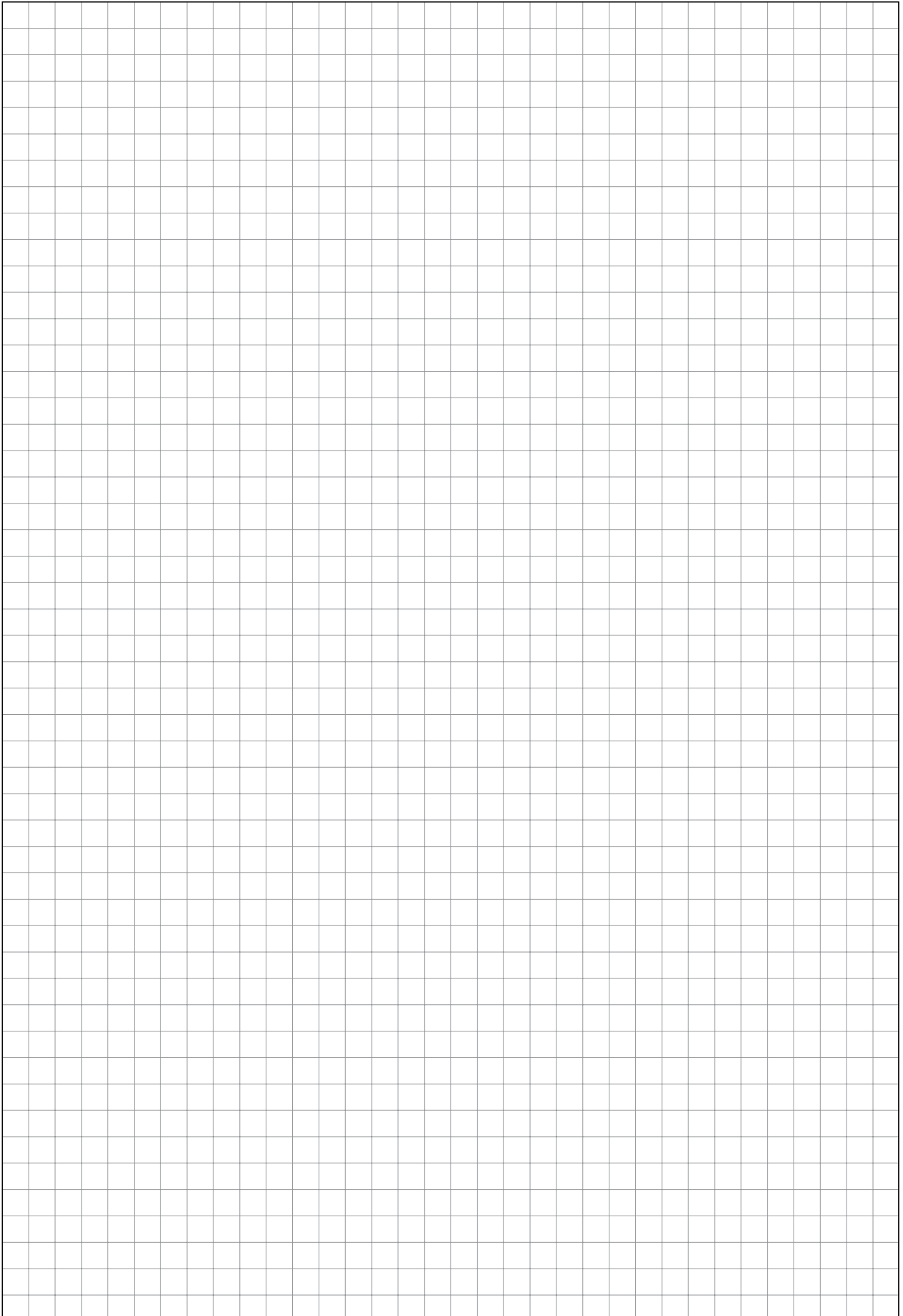
RAL 7035 grey
Empty

Article No.
per unit
unit = 1 pc.

RAL 7035 grey
Empty

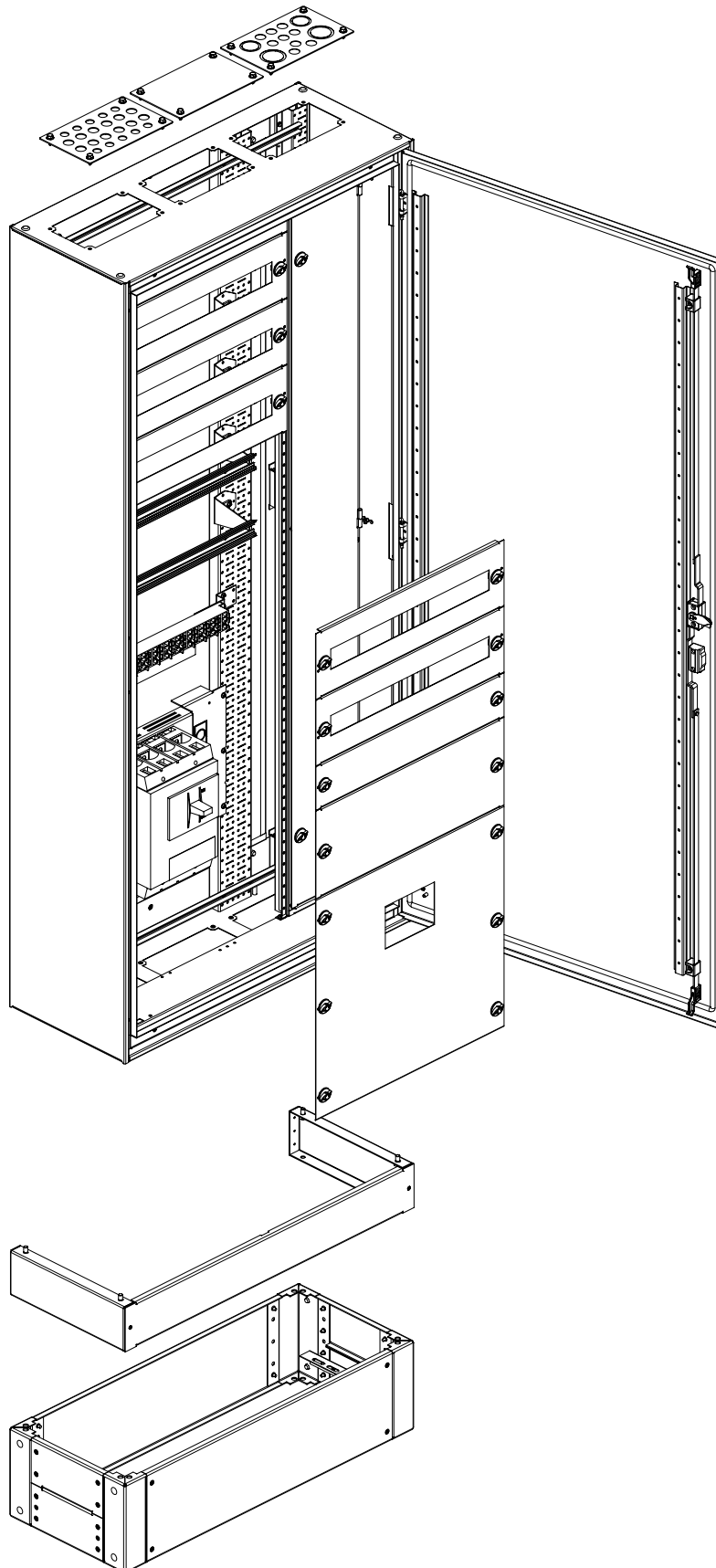
Article No.
per unit
unit = 1 pc.

	BPZ-MES-1000/10-ST 119322
	BPZ-MES-1000/12-ST 119323
	BPZ-MES-1000/15-ST 119324
	BPZ-MES-1000/17-ST 119325
	BPZ-MES-1000/20-ST 119326
	BPZ-MES-1200/12-ST 119327
	BPZ-MES-1200/15-ST 119328
	BPZ-MES-1200/17-ST 119329
	BPZ-MES-1200/20-ST 119330



System Overview

BPM-F-..., IP55



5.8

xEnergy Distribution Boards

Floor-standing distribution board BPM-F-..., IP55

v139317_r



wa_v103613



v140717



vt104514



Width [mm]	Height [mm]	Height int. [mm]	Pre-assembled configuration individual installation / Prepared for F3A-flanges on top/bottom / Door with clip-down handle BPZ-SH-L 7 Standard depth of 320 mm	Pre-assembled configuration installation back frame / Prepared for F3A-flanges on top/bottom / Door with clip-down handle BPZ-SH-L / Extended depth of 400 mm Dedicated as add-on connection cabinet	Pre-assembled configuration individual installation / Prepared for F3A-flanges on top/bottom / Without door / Standard depth of 320 mm
			RAL 7035 grey Empty	RAL 7035 grey Empty	RAL 7035 grey Empty
			Article No. per unit unit = 1 pc.	Article No. per unit unit = 1 pc.	

BPM-F-..., IP55 - fully assembled

400 (13MU/ row)	1760	1650	BPM-F-400/17-P 111047	BPM-F-400/17/4-P 193209	-
	2060	1950	BPM-F-400/20-P 111048	BPM-F-400/20/4-P 193210	-
600 (24MU/ row)	1760	1650	BPM-F-600/17-P 111049	BPM-F-600/17/4-P 193211	BPM-F-600/17-F 174362
	2060	1950	BPM-F-600/20-P 111050	BPM-F-600/20/4-P 193212	BPM-F-600/20-F 174363
800 (35MU/ row)	1760	1650	BPM-F-800/17-P 111051	BPM-F-800/17/4-P 193213	BPM-F-800/17-F 174367
	2060	1950	BPM-F-800/20-P 111052	BPM-F-800/20/4-P 193214	BPM-F-800/20-F 174368
1000 (46MU/ row)	1760	1650	BPM-F-1000/17-P 111053	BPM-F-1000/17/4-P 193215	BPM-F-1000/17-F 174370
	2060	1950	BPM-F-1000/20-P 111054	BPM-F-1000/20/4-P 193216	BPM-F-1000/20-F 174371
1200 (57MU/ row)	1760	1650	BPM-F-1200/17-P 111055	BPM-F-1200/17/4-P 193217	BPM-F-1200/17-F 193249
	2060	1950	BPM-F-1200/20-P 111056	BPM-F-1200/20/4-P 193218	BPM-F-1200/20-F 193250



Sheet metal door / Clip-down handle	Sheet metal door (transparent) / Clip-down handle	Cable arrangement / Plinth 100 mm / Cable strain-relief rail / Standard depth of 320 mm	Extended depth of 400 mm	Installation back frame / Frontplate support	MSW installation / Corner tower set / 2 pairs needed / Snap element set (1x)	Mounting side wall (MSW) / With SNAP-element BPZ-SNAP
RAL 7035 grey	RAL 7035 grey	RAL 7035 grey				
Article No. per unit unit = 1 pc.	Article No. per unit unit = 1 pc.	Article No. per unit unit = 1 pc.	Article No. per unit unit = 1 pc.	Article No. per unit unit = 1 pc.	Article No. per unit unit = 1 pc.	Article No. per unit unit = 1 pc.

		BPZ-KR41/320 116285	BPZ-KR41/400 193219	BPZ-FPS/17 106431	BPZ-CTS-S 106445	BPZ-MSW-17/SNAP 112289
		BPZ-KFS-400 116293	BPZ-KFS-400 116293	BPZ-FPS/20 106430	BPZ-SNAP-MSW-CTS 131559	BPZ-MSW-20/SNAP 112300
BPZ-DMS-600/17-P 174342	BPZ-DMT-600/17-P 173585	BPZ-KR61/320 116287	BPZ-KR61/400 193220	BPZ-FPS/17 106431	BPZ-CTS-S 106445	BPZ-MSW-17/SNAP 112289
BPZ-DMS-600/20-P 174343	BPZ-DMT-600/20-P 173586	BPZ-KFS-600 116294	BPZ-KFS-600 116294	BPZ-FPS/20 106430	BPZ-SNAP-MSW-CTS 131559	BPZ-MSW-20/SNAP 112300
BPZ-DMS-800/17-P 174347	BPZ-DMT-800/17-P 173592	BPZ-KR81/320 187910	BPZ-KR81/400 193221	BPZ-FPS/17 106431	BPZ-CTS-S 106445	BPZ-MSW-17/SNAP 112289
BPZ-DMS-800/20-P 174348	BPZ-DMT-800/20-P 173593	BPZ-KFS-800 187892	BPZ-KFS-800 187892	BPZ-FPS/20 106430	BPZ-SNAP-MSW-CTS 131559	BPZ-MSW-20/SNAP 112300
BPZ-DMS-400/17-L + BPZ-DMS-600/17-R-P 193251 + 193253	BPZ-DMT-400/17-L + BPZ-DMT-600/17-R-P 193257 + 193259	BPZ-KR101/320 187890	BPZ-KR101/400 193222	BPZ-FPS/17 106431	BPZ-CTS-S 106445	BPZ-MSW-17/SNAP 112289
BPZ-DMS-400/20-L + BPZ-DMS-600/20-R-P 193254 + 193256	BPZ-DMT-400/20-L + BPZ-DMT-600/20-R-P 193260 + 193262	BPZ-KFS-1000 187893	BPZ-KFS-1000 187893	BPZ-FPS/20 106430	BPZ-SNAP-MSW-CTS 131559	BPZ-MSW-20/SNAP 112300
BPZ-DMS-600/17-L + BPZ-DMS-600/17-R-P 193252 + 193253	BPZ-DMT-600/17-L + BPZ-DMT-600/17-R-P 193258 + 193259	BPZ-KR121/320 116291	BPZ-KR121/400 193223	BPZ-FPS/17 106431	BPZ-CTS-S 106445	BPZ-MSW-17/SNAP 112289
BPZ-DMS-600/20-L + BPZ-DMS-600/20-R-P 193255 + 193256	BPZ-DMT-600/20-L + BPZ-DMT-600/20-R-P 193261 + 193262	BPZ-KFS-1200 116296	BPZ-KFS-1200 116296	BPZ-FPS/20 106430	BPZ-SNAP-MSW-CTS 131559	BPZ-MSW-20/SNAP 112300

5.8

xEnergy Distribution Boards

Floor-standing distribution board BPM-F-..., IP55

vi39317_r



vi06905, wa_vt51413



vi02918, wa_vt51413



vi02918, wa_vt51413



Width [mm]	Height [mm]	Height int. [mm]	Plinth 100 mm Side parts 1 pair / Front cover	Plinth 100 mm Side parts 1 pair blind-open for cable guiding between the sections / Front cover	Plinth 100 mm Side parts 1 pair open-open for cable guiding between the sections / Front cover	Plinth 100 mm Side parts 1 pair open-open for cable guiding between the sections / Front cover	Plinth 100 mm Side parts 1 pair open-open for cable guiding between the sections / Front cover
			grey RAL 7035 standard depth of 320 mm	white RAL 9016	grey RAL 7035 standard depth of 320 mm	white RAL 9016	grey RAL 7035 standard depth of 320 mm
			Article No. per unit unit = 1 pc.	Article No. per unit unit = 1 pc.	Article No. per unit unit = 1 pc.	Article No. per unit unit = 1 pc.	Article No. per unit unit = 1 pc.

BPM-F-..., IP55 - fully assembled

400 (13MU/ row)	1760	1650	BPZ-SS-1/320 112348	BPZ-SS-1/320-W 112350	BPZ-SS-1/320/SET/BO 119179	BPZ-SS-1/320/SET/BO-W 119183	BPZ-SS-1/320/SET/OO 119180	BPZ-SS-1/320/SET/OO-W 119184
		2060	1950	BPZ-FS-400/1 293493	BPZ-FS-400/1-W 293494	BPZ-FS-400/1 293493	BPZ-FS-400/1-W 293494	BPZ-FS-400/1 293493
600 (24MU/ row)	1760	1650	BPZ-SS-1/320 112348	BPZ-SS-1/320-W 112350	BPZ-SS-1/320/SET/BO 119179	BPZ-SS-1/320/SET/BO-W 119183	BPZ-SS-1/320/SET/OO 119180	BPZ-SS-1/320/SET/OO-W 119184
		2060	1950	BPZ-FS-600/1 293497	BPZ-FS-600/1-W 293498	BPZ-FS-600/1 293497	BPZ-FS-600/1-W 293498	BPZ-FS-600/1 293497
800 (35MU/ row)	1760	1650	BPZ-SS-1/320 112348	BPZ-SS-1/320-W 112350	BPZ-SS-1/320/SET/BO 119179	BPZ-SS-1/320/SET/BO-W 119183	BPZ-SS-1/320/SET/OO 119180	BPZ-SS-1/320/SET/OO-W 119184
		2060	1950	BPZ-FS-800/1 293501	BPZ-FS-800/1-W 293502	BPZ-FS-800/1 293501	BPZ-FS-800/1-W 293502	BPZ-FS-800/1 293501
1000 (46MU/ row)	1760	1650	BPZ-SS-1/320 112348	BPZ-SS-1/320-W 112350	BPZ-SS-1/320/SET/BO 119179	BPZ-SS-1/320/SET/BO-W 119183	BPZ-SS-1/320/SET/OO 119180	BPZ-SS-1/320/SET/OO-W 119184
		2060	1950	BPZ-FS-1000/1 293505	BPZ-FS-1000/1-W 293506	BPZ-FS-1000/1 293505	BPZ-FS-1000/1-W 293506	BPZ-FS-1000/1 293505
1200 (57MU/ row)	1760	1650	BPZ-SS-1/320 112348	BPZ-SS-1/320-W 112350	BPZ-SS-1/320/SET/BO 119179	BPZ-SS-1/320/SET/BO-W 119183	BPZ-SS-1/320/SET/OO 119180	BPZ-SS-1/320/SET/OO-W 119184
		2060	1950	BPZ-FS-1200/1 293509	BPZ-FS-1200/1-W 293510	BPZ-FS-1200/1 293509	BPZ-FS-1200/1-W 293510	BPZ-FS-1200/1 293509

vt02818, vt02718



Plinth 200 mm
Side parts 1 pair /
Front cover

vt40217



Cable arrangement
plinth 200 mm /
cable strain-relief rail

vt104614



Internal cable duct as complete kit for shared composition
incl. mounting pillars, compartment door and protective cover

vt104714



grey RAL 7035
standard depth of 320 mm
Article No.
per unit
unit = 1 pc.

white RAL 9016
Article No.
per unit
unit = 1 pc.

grey RAL 7035
standard depth of 320 mm
Article No.
per unit
unit = 1 pc.

extended depth of 400 mm
Article No.
per unit
unit = 1 pc.

grey RAL 7035
compartment width 200 mm
Article No.
per unit
unit = 1 pc.

compartment width 400 mm
Article No.
per unit
unit = 1 pc.

BPZ-SS-2/320
112349
BPZ-FS-400/2
293495

BPZ-SS-2/320-W
112351
BPZ-FS-400/2-W
293496

BPZ-KR42/320
116286
BPZ-KFS-400
116293

BPZ-KR42/400
193224
BPZ-KFS-400
116293

BPZ-SS-2/320
112349
BPZ-FS-600/2
293499

BPZ-SS-2/320-W
112351
BPZ-FS-600/2-W
293500

BPZ-KR62/320
116288
BPZ-KFS-600
116294

BPZ-KR62/400
193225
BPZ-KFS-600
116294

BPZ-SS-2/320
112349
BPZ-FS-800/2
293503

BPZ-SS-2/320-W
112351
BPZ-FS-800/2-W
293504

BPZ-KR82/320
187911
BPZ-KFS-800
187892

BPZ-KR82/400
193226
BPZ-KFS-800
187892

BPZ-ICD-200/17
174354
BPZ-ICD-200/20
174355

BPZ-SS-2/320
112349
BPZ-FS-1000/2
293507

BPZ-SS-2/320-W
112351
BPZ-FS-1000/2-W
293508

BPZ-KR102/320
187891
BPZ-KFS-1000
187893

BPZ-KR102/400
193227
BPZ-KFS-1000
187893

BPZ-ICD-400/17
174388
BPZ-ICD-400/20
174389

BPZ-SS-2/320
112349
BPZ-FS-1200/2
293511

BPZ-SS-2/320-W
112351
BPZ-FS-1200/2-W
293512

BPZ-KR122/320
116292
BPZ-KFS-1200
116296

BPZ-KR122/400
193228
BPZ-KFS-1200
116296

Description

BPM-F-..., IP55, enclosure depth 320 / 400 mm

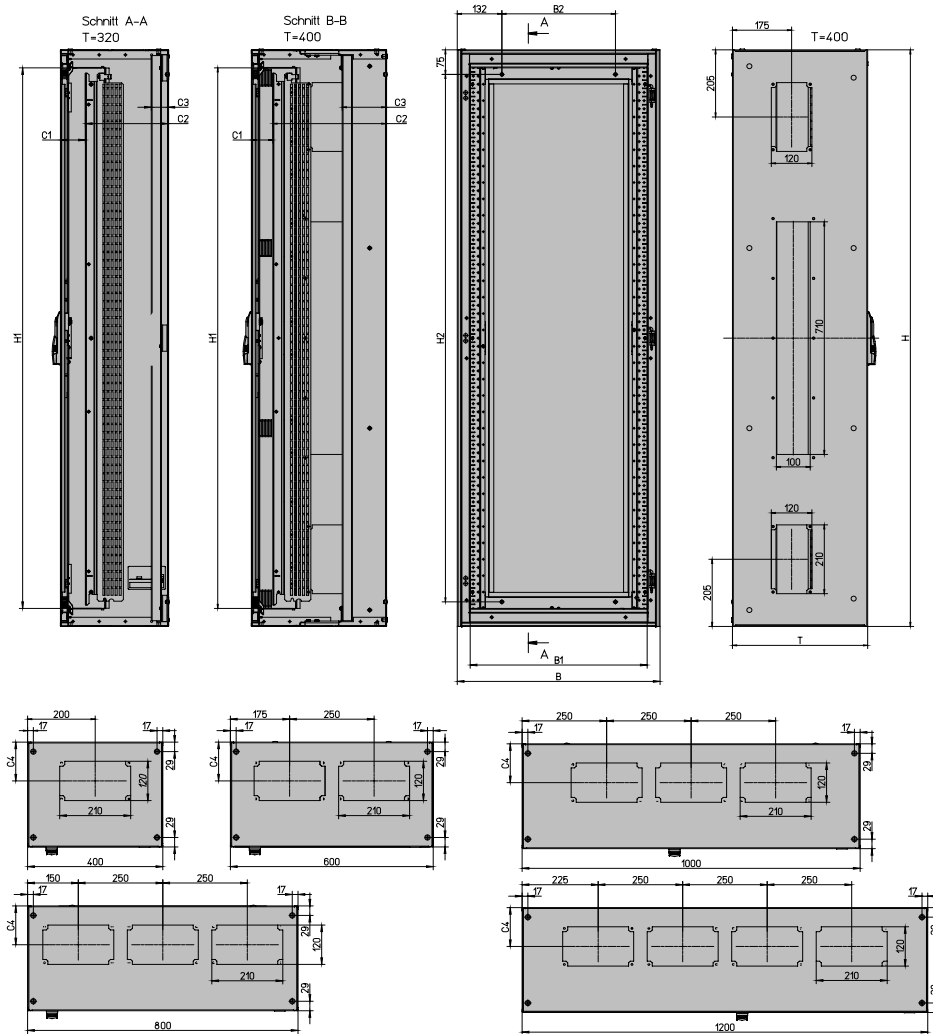
- Complete cabinets prepared for Profi+ installation system
- Degree of protection IP55
- Impact resistance IK10
- Protection class I (protective earth)
- Cable entry prepared for F3A flange
- Quick and easy change of the hinge direction, door opening angle ~100°
- Two-way key bit or rotary lever
- Additional wall fixing to avoid tilting
- Enclosure made from powder-coated sheet steel, RAL 7035 / RAL 9016
- Add-on connection at depth 400 mm provided
- Variable interior fitting either with "Mounting base frame" or "Mounting side panel" (MSW)

Technical data

	BPM-F-...
Electrical	
Type conforms to	IEC/EN 62208
Protection class	I (protective earth)
Degree of protection	IP55 (closed version with door/flansche) IP2XC (door open, user access level has to be closed properly with front covers)
Impact resistance	IK10
Rated operational voltage	415 VAC / 50 Hz
Rated current	Max. 630 A (depending on the type of incoming circuit breaker or the busbar system being used)
Earthing concept for the enclosure	
Main earthing	By means of M8 welding bolts
Door earthing	By means of M6 welding bolts
The permissible temperature increases for switchgear assemblies with a rated current of up to 630 A can be evaluated in accordance with section 10.10.4.2 of IEC/EN 61439-1.	
For the maximum permissible heat dissipation for all devices inside the distribution board at an ambient temperature of 35° C and ΔT of 20 K / 35 K at an enclosure height of 75 %, please refer to the table on enclosure dimensions; (calculation method acc.to IEC/TR 60890).	
Mechanical	
Enclosure	Excellent stability thanks to the welded construction
Material	Sheet steel 1.25 mm, phosphated and polyester powder coated (structured) with corrosion protection
Colour	Traffic white, RAL 9016 / Light grey RAL 7035
Door	With encircling foamed sealing, hinges on the inside, door opening angle ~100° Doors with transparent window individually configurable, hinged either left or right width 1000 / 1200 mm in double-wing design
Type	Flexible interior fitting with installation units Profi+ on base frame or „mounting side panel“ (MSW) Mounting base frame: multi-layer construction, installation directly in the enclosure, robust and structured Mounting side panel (MSW): removable mounting insert, external installation, fast and reliable
Locking mechanism	Three-point standard locking with two-way key bit (metal) Three-point locking mechanism with rotary lever and rod drive (optional lock cylinder as accessory)
Cable entry	Open, prepared for F3A flanges on both sides (top+bottom) Lateral F3A cut-outs (top+bottom) for additional cable entry or cross-wiring at a depth of 400 mm
Busbar system	Prepared for incorporating a continuous busbar system over several sections with depth 400 mm Generous cut-outs left/right (closed with blind plates when delivered)
Ambient condition	Indoor installation (Assembly with/without plinth with additional fixing to a wall, „stand-alone“ not recommended) Max. ambient temperature +40° C Min. ambient temperature -5° C
Halogen-free, RoHS	< 1%, yes
Accessories	Several base versions or cable arrangement plinths with height 100 / 200mm, other locking mechanism for door closing, transparent doors, wall fixing brackets
Delivered as	Complete cabinet prepared for „Mounting base frame“ or „MSW“ (depending on interior fitting all corresponding parts for „Mounting base frame“ respectively „MSW“ have to be ordered separately)

Dimensions (mm)

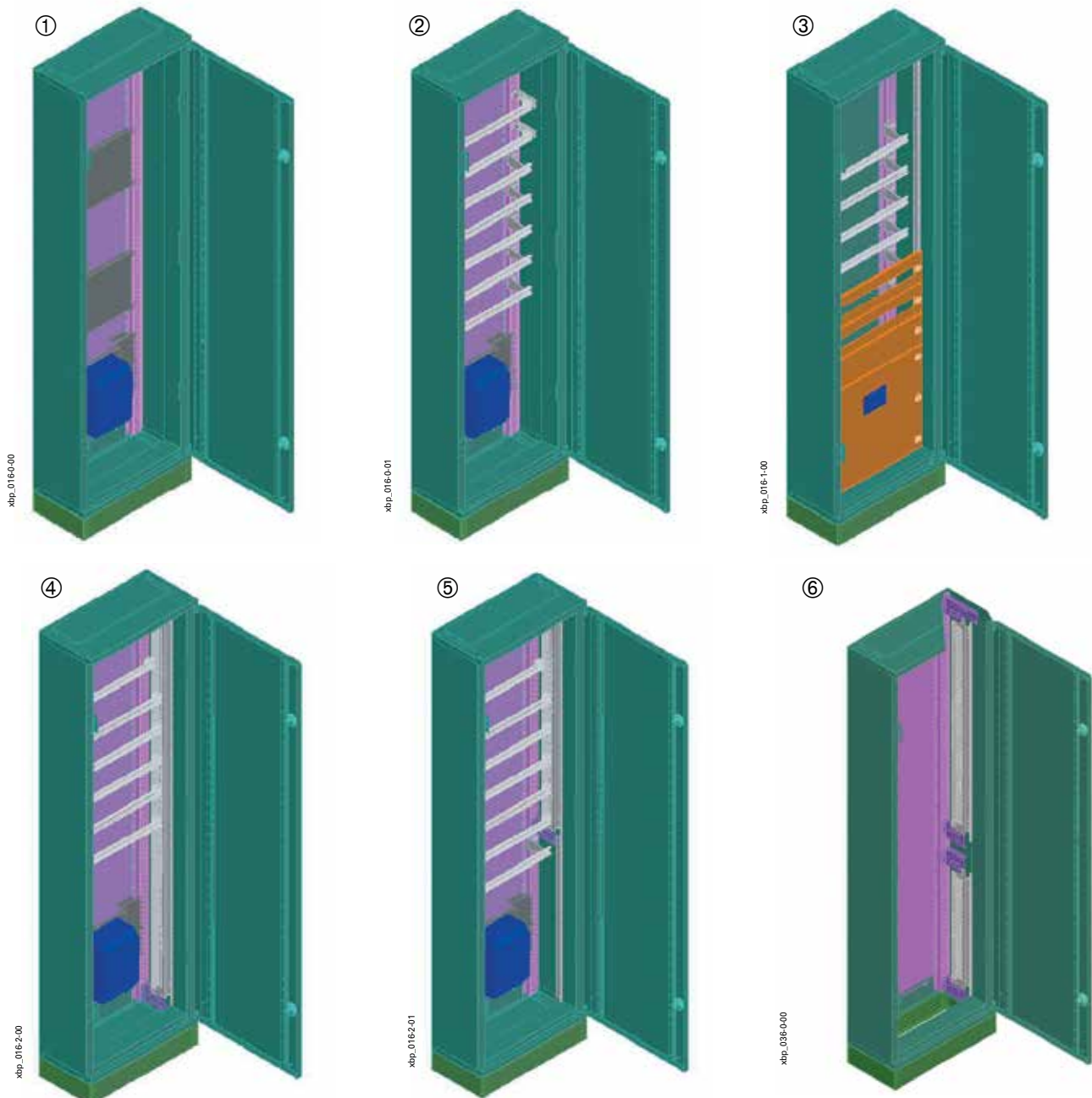
BPM-F-..., IP55, enclosure depth 320 / 400 mm



Type	Overall dimensions			Internal dimensions (front plate)		Wall mounting (Enclosure directly)		BPZ-MSW		BPZ-FPS				Pv [W] (ΔT 20K)	Pv [W] (ΔT 35K)
	Width B	Height H	Depth T	Width B1	Height H1	Width B2	Height H2	C1	C2	C1	C2	C3	C4		
BPM-F-400/17	400	1760	320	320	1650	136	1610	62-92	225-255	112	205	49	118	91	182
BPM-F-400/20	400	2060	320	320	1950	136	1910	62-92	225-255	112	205	49	118	106	213
BPM-F-600/17	600	1760	320	520	1650	336	1610	62-92	225-255	112	205	49	118	132	264
BPM-F-600/20	600	2060	320	520	1950	336	1910	62-92	225-255	112	205	49	118	155	311
BPM-F-800/17	800	1760	320	720	1650	536	1610	62-92	225-255	112	205	49	118	183	367
BPM-F-800/20	800	2060	320	720	1950	536	1910	62-92	225-255	112	205	49	118	195	391
BPM-F-1000/17	1000	1760	320	920	1650	736	1610	62-92	225-255	112	205	49	118	212	425
BPM-F-1000/20	1000	2060	320	920	1950	736	1910	62-92	225-255	112	205	49	118	229	459
BPM-F-1200/17	1200	1760	320	1120	1650	936	1610	62-92	225-255	112	205	49	118	244	489
BPM-F-1200/20	1200	2060	320	1120	1950	936	1910	62-92	225-255	112	205	49	118	269	539
BPM-F-400/17/4-P	400	1760	400	320	1650	136	1610	62-87	310-335	62-112	335-285	130-180	100	114	228
BPM-F-400/20/4-P	400	2060	400	320	1950	136	1910	62-87	310-335	62-112	335-285	130-180	100	128	258
BPM-F-600/17/4-P	600	1760	400	520	1650	336	1610	62-87	310-335	62-112	335-285	130-180	100	158	318
BPM-F-600/20/4-P	600	2060	400	520	1950	336	1910	62-87	310-335	62-112	335-285	130-180	100	183	367
BPM-F-800/17/4-P	800	1760	400	720	1650	536	1610	62-87	310-335	62-112	335-285	130-180	100	203	408
BPM-F-800/20/4-P	800	2060	400	720	1950	536	1910	62-87	310-335	62-112	335-285	130-180	100	217	435
BPM-F-1000/17/4-P	1000	1760	400	920	1650	736	1610	62-87	310-335	62-112	335-285	130-180	100	237	476
BPM-F-1000/20/4-P	1000	2060	400	920	1950	736	1910	62-87	310-335	62-112	335-285	130-180	100	257	515
BPM-F-1200/17/4-P	1200	1760	400	1120	1650	936	1610	62-87	310-335	62-112	335-285	130-180	100	276	554
BPM-F-1200/20/4-P	1200	2060	400	1120	1950	936	1910	62-87	310-335	62-112	335-285	130-180	100	292	585

Possible variants of inside configuration of BP(M)-F

- Installation of inside equipment is identical for both versions BP-F with IP30 and BPM-F with IP55
- 1. Installation of mounting plates BPZ-MPL and mounting sets (e.g. BPZ-NZM) directly onto rear frame. Frontplates can be equipped by means of supports BPZ-FPS.
- 2. Simultaneous installation of mounting plates BPZ-MPL or mounting sets (e.g. BPZ-NZM) and device rails directly onto rear frame. Device rails can be fitted either with towers BPZ-TF/2 (set with rail BPZ-DINR13-...-B) for standard depth or directly onto rear frame for maximum depth. The other depths between these two utmost ones can be reached with towers BPZ-TA/2 (set with rail BPZ-DINR13-...-T). For this tower, the device rail is fitted by means of fastening elements BEL.
- 3. Example of mounting of frontplates by means of support BPZ-FPS.
- 4. Application of mounting side walls BPZ-MSW. Device rails are mounted onto BPZ-MSW by means of fastening elements BEL. Mounting plates and device rails can be fitted directly onto rear frame, as well. Front plates are fastened onto side walls BPZ-MSW for whole board height. Installation of the mounting frame BPZ-MSW is the same as for surface mounting board, i.e. by means of corner towers BPZ-CTS-L. Corner towers BPZ-CTS-L are not in scope of delivery of the board itself.
- 5. Application of mounting side walls BPZ-MSW for partial height of the board. Suitable e.g. for combination of input power section and installation section in a single board. Short side walls BPZ-MSW are mounted by means of towers BPZ-CTS-L in the corners and towers BPZ-CTS-S in the middle of the board. The towers are not in a scope of delivery of the board. Frontplates are mounted onto BPZ-MSW in the installation section. If the frontplates are asked also for power section, support BPZ-FPS with appropriate length is used for their fixing.
- 6. Application of mounting side walls BPZ-MSW for more sections. Suitable e.g. for easier mounting of heavy equipment, for splitting up into heavy current and weak current section etc. It is necessary to pay attention to correct position of the tower BPZ-CTS-S (the cutout has to be located at the opposite side to BPZ-MSW).



Mounting Inserts, BPZ-MES

- Overview of all available inserts with front plates. Insert fits in Wall-mounting-, Flush-mounting- and Open distribution boards. With MSW application.

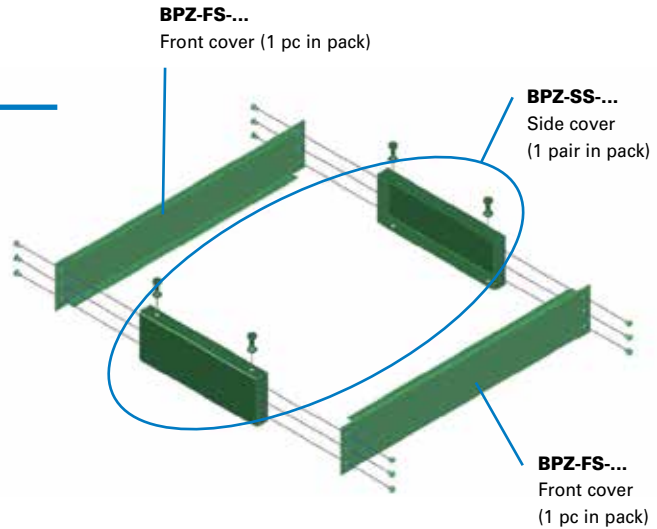
	 <p>BPZ-MES-600/4</p> <p>48 MU</p>			
 <p>BPZ-MES-400/7</p> <p>52 MU</p>	 <p>BPZ-MES-600/7</p> <p>96 MU</p>			
 <p>BPZ-MES-400/10</p> <p>65 MU</p>	 <p>BPZ-MES-600/10</p> <p>120 MU</p>	 <p>BPZ-MES-800/10</p> <p>175 MU</p>	 <p>BPZ-MES-1000/10</p> <p>230 MU</p>	
 <p>BPZ-MES-400/12</p> <p>78 MU</p>	 <p>BPZ-MES-600/12</p> <p>144 MU</p>	 <p>BPZ-MES-800/12</p> <p>210 MU</p>	 <p>BPZ-MES-1000/12</p> <p>276 MU</p>	 <p>BPZ-MES-1200/12</p> <p>342 MU</p>
	 <p>BPZ-MES-600/15</p> <p>168 MU</p>	 <p>BPZ-MES-800/15</p> <p>245 MU</p>	 <p>BPZ-MES-1000/15</p> <p>322 MU</p>	 <p>BPZ-MES-1200/15</p> <p>399 MU</p>
	 <p>BPZ-MES-600/17</p> <p>192 MU</p>	 <p>BPZ-MES-800/17</p> <p>280 MU</p>	 <p>BPZ-MES-1000/17</p> <p>368 MU</p>	 <p>BPZ-MES-1200/17</p> <p>456 MU</p>
	 <p>BPZ-MES-600/20</p> <p>216 MU</p>	 <p>BPZ-MES-800/20</p> <p>315 MU</p>	 <p>BPZ-MES-1000/20</p> <p>414 MU</p>	 <p>BPZ-MES-1200/20</p> <p>513 MU</p>

Front cover for base, BPZ-FS-..

- Height: 100 mm or 200 mm
- Material: Sheet steel, powder-coated, RAL 7035 and RAL 9016
- Scope of delivery: 1 Front cover, fixing material

Side cover for base, BPZ-SS-..

- Height: 100 mm or 200 mm
- Material: Sheet steel, powder-coated, RAL 7035 and RAL 9016
- Scope of delivery: 2 Side covers, fixing material

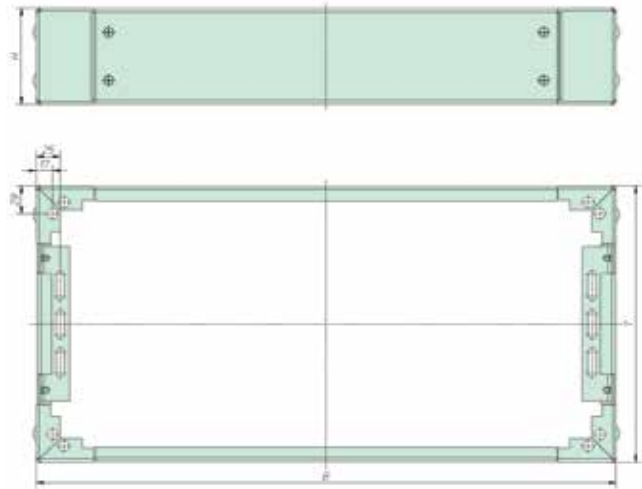


Cable Interconnect Frame, BPZ-KR...

- Height: 75, 100 or 200 mm
- Material: Sheet steel, powder-coated, RAL 7035 or RAL 9016 (BPZ-KR.../300-W)
 - Scope of delivery: 1 Cable interconnect frame including fixing material without cable strain-relief rail

Dimensions (mm)

Type	W	H	D
BPZ-KR3.5x/...	350	75/100/200	250/400
BPZ-KR4x/...	400	100/200	300/320/400
BPZ-KR6x/...	600	75/100/200	250/300/320/400
BPZ-KR8x/...	800	100/200	300/320/400
BPZ-KR8.5x/...	850	75/100/200	250/400
BPZ-KR10x/...	1000	100/200	300/320/400
BPZ-KR11x/...	1100	75/100/200	250/400
BPZ-KR12x/...	1200	100/200	300/320/400
BPZ-KR13x/...	1350	75/100/200	250/400

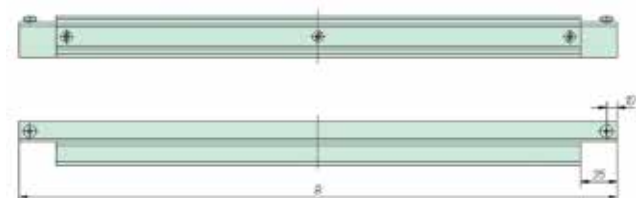


Cable Strain-Relief Rail, BPZ-KFS, BPZ-KFS

- Material: Sheet steel, galvanized
- C-Profile 16 mm, for hammerfoot yoke clamps
- Scope of delivery: 1 Cable strain-relief rail incl. fixing material

Dimensions (mm)

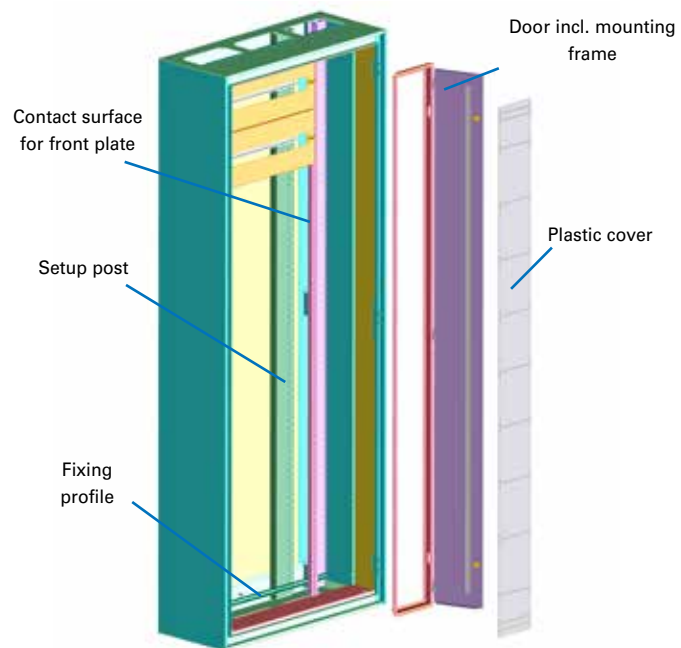
Type	B
BPZ-KFS400	370
BPZ-KFS600	570
BPZ-KFS800	770
BPZ-KFS1000	970
BPZ-KFS1200	1170



Set for Internal Cable Area available as a Complete Kit, BPZ-ICD-..

- Suitable for wall-mounted (height 15) and floor-standing enclosures, each of them can be realised in a width of 800 and 1000 mm
- The cable area can either be mounted on the left or on the right side of the enclosure
- The door is right-hinged and pivoting, removable when necessary
- The metal door makes contact with the enclosure
- The plastic cover serves as an additional protection when the door to the cable area is open
- Material
 - Fixing profiles: Sheet steel (2 mm), galvanized
 - Setup post: Sheet steel (1.5 mm), galvanized
 - Contact surface for front plate: Sheet steel (1.5 mm), galvanized
 - Door/frame: Sheet steel (1.5 mm), powder-coated, RAL 7035
 - Plastic cover: 2 mm PVC, transparent
- Scope of delivery: 2 Fixing profiles (for top and bottom), 1 setup post, 1 contact surface for front plate, 1 door incl. mounting frame, 1 plastic cover, mounting accessories

Example of application (floor-standing enclosure IP55 in a width of 800 mm incl. cable area of 200 mm)



A large grid area for taking notes, consisting of a 20x30 grid of small squares. The grid is empty and occupies the majority of the page.

System Overview

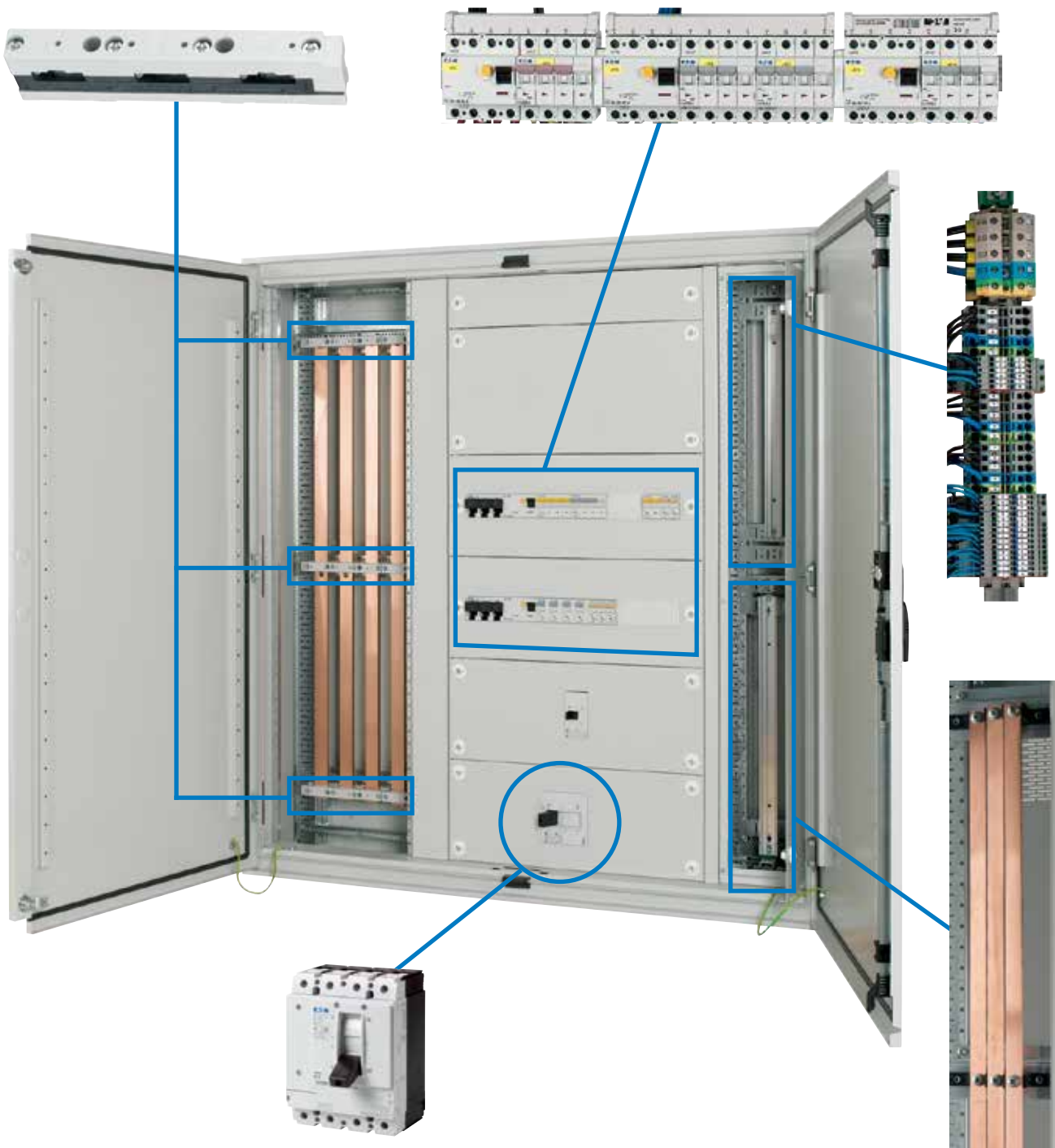
Shared compartment inside xEnergy Basic

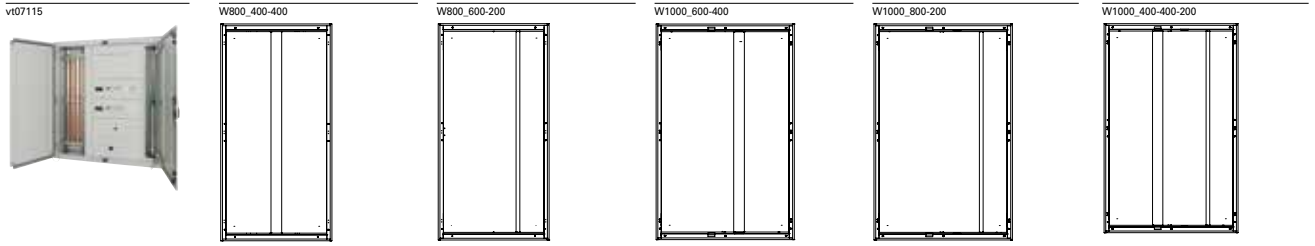
The construction of the xEnergy Basic enables a very flexible partition from 1 to max. 3 different sections inside one distribution board! Typically 200mm compartments are used for separate cable connection room and the 400 mm wide section can be used e.g. for vertical busbar system up to 630A. The arrangement and division of the interior is completely arbitrary and is mainly up to the installation behavior from the panel builder / installer.

Example for illustration:

xEnergy Basic type BPM-O-1200/12-P divided into

- 400 mm busbar compartment (with SASY 60i busbar system)
- 600 mm section for installing circuit breakers (MCBs, MCCBs)
- 200 mm cable room for placing outgoing terminals / auxiliary wiring





Height [mm]	Height int. [mm]	Compartment arrangement installation back frame consists of separation frame, front plate support and horizontal fixing profile (just needed for BP-O/BPM-O)				
		400/400 mm split-up	600/200 mm split-up*)	600/400 mm split-up*)	800/200 mm split-up*)	400/400/200 mm split-up*)
		RAL 7035 grey [RAL 9016 white]	RAL 7035 grey [RAL 9016 white]	RAL 7035 grey [RAL 9016 white]	RAL 7035 grey [RAL 9016 white]	RAL 7035 grey [RAL 9016 white]
		Article No. per unit unit = 1 pc.	Article No. per unit unit = 1 pc.	Article No. per unit unit = 1 pc.	Article No. per unit unit = 1 pc.	Article No. per unit unit = 1 pc.

Basic surface-mounted and floor-standing cabinets (IP30 / IP55)

460	350	-	BPZ-SFB-800 + BPZ-FPS/350 173633 + 112343 BPZ-SF-200/4 [BPZ-SF-200/4-W] 173628 [EP-500564]		-	-	-
760	650	-	BPZ-SFB-800 + BPZ-FPS/650 173633 + 112344 BPZ-SF-200/7 [BPZ-SF-200/7-W] 173629 [EP-500565]		-	-	-
1060	950	BPZ-SFB-800 + BPZ-FPS/950 173633 + 112345 BPZ-SF-10 [BPZ-SF-10-W] 173625 [EP-500562]	BPZ-SFB-800 + BPZ-FPS/950 173633 + 112345 BPZ-SF-200/10 [BPZ-SF-200/10-W] 173630 [EP-500566]	BPZ-SFB-1000 + BPZ-FPS/950 173634 + 112345 BPZ-SF-10 [BPZ-SF-10-W] 173625 [EP-500562]	BPZ-SFB-1000 + BPZ-FPS/950 173634 + 112345 BPZ-SF-200/10 [BPZ-SF-200/10-W] 173630 [EP-500566]	BPZ-SFB-1000 + BPZ-FPS/950 (2x) 173634 + 112345 (2x) BPZ-SF-10 + BPZ-SF-200/10 (**) 173625 + 173630	
1260	1150	BPZ-SFB-800 + BPZ-FPS/1150 173633 + 112346 BPZ-SF-12 [BPZ-SF-12-W] 173626 [188239]	BPZ-SFB-800 + BPZ-FPS/1150 173633 + 112346 BPZ-SF-200/12 [BPZ-SF-200/12-W] 173631 [EP-500567]	BPZ-SFB-1000 + BPZ-FPS/1150 173634 + 112346 BPZ-SF-12 [BPZ-SF-12-W] 173626 [188239]	BPZ-SFB-1000 + BPZ-FPS/1150 173634 + 112346 BPZ-SF-200/12 [BPZ-SF-200/12-W] 173631 [EP-500567]	BPZ-SFB-1000 + BPZ-FPS/1150 (2x) 173634 + 112346 (2x) BPZ-SF-12 + BPZ-SF-200/12 (**) 173626 + 173631	
1560	1450	BPZ-SFB-800 + BPZ-FPS/1450 173633 + 112347 BPZ-SF-15 [BPZ-SF-15-W] 173627 [EP-500563]	BPZ-SFB-800 + BPZ-FPS/1450 173633 + 112347 BPZ-SF-200/15 [BPZ-SF-200/15-W] 173632 [EP-500568]	BPZ-SFB-1000 + BPZ-FPS/1450 173634 + 112347 BPZ-SF-15 [BPZ-SF-15-W] 173627 [EP-500563]	BPZ-SFB-1000 + BPZ-FPS/1450 173634 + 112347 BPZ-SF-200/15 [BPZ-SF-200/15-W] 173632 [EP-500568]	BPZ-SFB-1000 + BPZ-FPS/1450 (2x) 173634 + 112347 (2x) BPZ-SF-15 + BPZ-SF-200/15 (**) 173627 + 173632	
1760	1650	BPZ-SFB-800 + BPZ-FPS/17 173633 + 106431 BPZ-SF-17 [BPZ-SF-17-W] 108374 [108376]	-	BPZ-FPS/17 106431 BPZ-SF-17 [BPZ-SF-17-W] 108374 [108376]	-	-	
2060	1950	BPZ-SFB-800 + BPZ-FPS/20 173633 + 106430 BPZ-SF-20 [BPZ-SF-20-W] 108375 [108377]	-	BPZ-FPS/20 106430 BPZ-SF-20 [BPZ-SF-20-W] 108375 [108377]	-	-	

*) The line-up can be realized in reverse order as well.

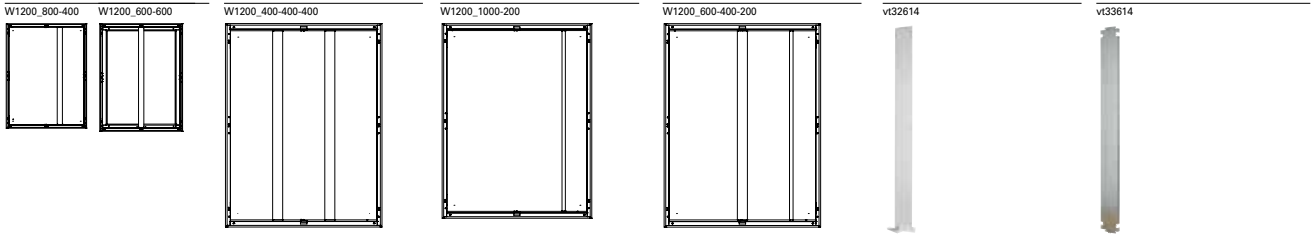
***) This combination can also be realized with the adjacent articles in RAL 9016 (white).

Width [mm]	Dividing plate horizontal / Installation back frame	Width [mm]	Dividing plate horizontal / Installation back frame
	Article No. per unit unit = 1 pc.		Article No. per unit unit = 1 pc.

Separation Main Frame, BPZ-ASMF

200	BPZ-ASMF-200 188221	800	BPZ-ASMF-800 120724
400	BPZ-ASMF-400 120722	1000	BPZ-ASMF-1000 120725
600	BPZ-ASMF-600 120723	1200	BPZ-ASMF-1200 120726

Shared compartments inside distribution boards BP(M)-O, BP(M)-F



Compartment arrangement installation back frame consists of separation frame, front plate support and horizontal fixing profile (just needed for BP-O/BPM-O) Compartment door 200mm /Dividing plate full height / Installation back frame

800/400 mm or 600/600 mm split-up*)	400/400/400 mm split-up	1000/200 mm split-up*)	600/400/200 mm split-up*)		/Dividing plate full height / Installation back frame / Vertical partition
RAL 7035 grey [RAL 9016 white]	RAL 7035 grey [RAL 9016 white]	RAL 7035 grey [RAL 9016 white]	RAL 7035 grey [RAL 9016 white]	RAL 7035 grey [RAL 9016 white]	Individual plates for different compartment heights see next page!
Article No. per unit unit = 1 pc.	Article No. per unit unit = 1 pc.	Article No. per unit unit = 1 pc.	Article No. per unit unit = 1 pc.	Article No. per unit unit = 1 pc.	Article No. per unit unit = 1 pc.

-	-	-	-	BPZ-CD-200/4 173644 [BPZ-CD-200/4-W] [EP-500569]	BPZ-SF-DP-4 173636
-	-	-	-	BPZ-CD-200/7 173645 [BPZ-CD-200/7-W] [EP-500570]	BPZ-SF-DP-7 173637
-	-	-	-	BPZ-CD-200/10 173646 [BPZ-CD-200/10-W] [EP-500571]	BPZ-SF-DP-10 173638
BPZ-SFB-1200 + BPZ-FPS/1150 173635 + 112346 BPZ-SF-12 [BPZ-SF-12-W] 173626 [188239]	BPZ-SFB-1200 + BPZ-FPS/1150 (2x) 173635 + 112346 (2x) BPZ-SF-12 [BPZ-SF-12-W] (2x) 173626 [188239] (2x)	BPZ-SFB-1200 + BPZ-FPS/1150 173635 + 112346 BPZ-SF-200/12 [BPZ-SF-200/12-W] 173631 [EP-500567]	BPZ-SFB-1200 + BPZ-FPS/1150 (2x) 173635 + 112346 (2x) BPZ-SF-12 + BPZ-SF-200/12 **) 173626 + 173631	BPZ-CD-200/12 173647 [BPZ-CD-200/12-W] [EP-500572]	BPZ-SF-DP-12 173639
BPZ-SFB-1200 + BPZ-FPS/1450 173635 + 112347 BPZ-SF-15 [BPZ-SF-15-W] 173627 [EP-500563]	BPZ-SFB-1200 + BPZ-FPS/1450 (2x) 173635 + 112347 (2x) BPZ-SF-15 [BPZ-SF-15-W] (2x) 173627 [EP-500563] (2x)	BPZ-SFB-1200 + BPZ-FPS/1450 173635 + 112347 BPZ-SF-200/15 [BPZ-SF-200/15-W] 173632 [EP-500568]	BPZ-SFB-1200 + BPZ-FPS/1450 (2x) 173635 + 112347 (2x) BPZ-SF-15 + BPZ-SF-200/15 **) 173627 + 173632	BPZ-CD-200/15 173648 [BPZ-CD-200/15-W] [EP-500573]	BPZ-SF-DP-15 173640
BPZ-FPS/17 106431 BPZ-SF-17 [BPZ-SF-17-W] 108374 [108376]	BPZ-FPS/17 (2x) 106431 (2x) BPZ-SF-17 [BPZ-SF-17-W] (2x) 108374 [108376] (2x)	-	-	-	BPZ-SF-DP-17 152617
BPZ-FPS/20 106430 BPZ-SF-20 [BPZ-SF-20-W] 108375 [108377]	BPZ-FPS/20 (2x) 106430 (2x) BPZ-SF-20 [BPZ-SF-20-W] (2x) 108375 [108377] (2x)	-	-	-	BPZ-SF-DP-20 152618

Vertical Division in a Surface-Mounted Installation DB as of 800 mm width, IP30 and IP55

- The interior layout can be divided into different sub-divisional widths by using vertical profiles
- Not suitable for a layout including a mounting side-panel (BPZ-MSW)
- In addition, there is also a possibility to use partitions between these individual compartments
- Vertical division in a wall-mounted distribution board is possible as of a width of 800 mm, in a floor-standing distribution board of a width of 1000 or 1200 mm only

Fixing Profile for Divided Set-up in a Wall-mounted Distribution Board, BPZ-SFB

- This profile can directly be fixed at the frame and serves as an element for fixing the other setup posts at the rear
- When used in an IP30 enclosure, the bar must be shortened on both ends
- Material: Sheet steel (2 mm), galvanized
- Scope of delivery: 2 Fixing profiles (for top and bottom), fixing accessories

Set for Divided Setup, BPZ-SF

- For setting up the divided sections required in the enclosure
- Set consisting of setup posts (rear-mounted) and cover frame (front-mounted)
- An overview of all layout types possible is provided on the next page
- Material
 - Setup posts: Sheet steel (1.5 mm), galvanized
 - Front cover: Sheet steel (1 mm), powder-coated, RAL 7035
- Scope of delivery: Depending on the type with either 1 or 2 setup posts, 1 cover frame, fixing accessories

Sheet-Steel Door as a Front Cover for the 200 mm Compartment in a Divided Setup, BPZ-CD-200/..

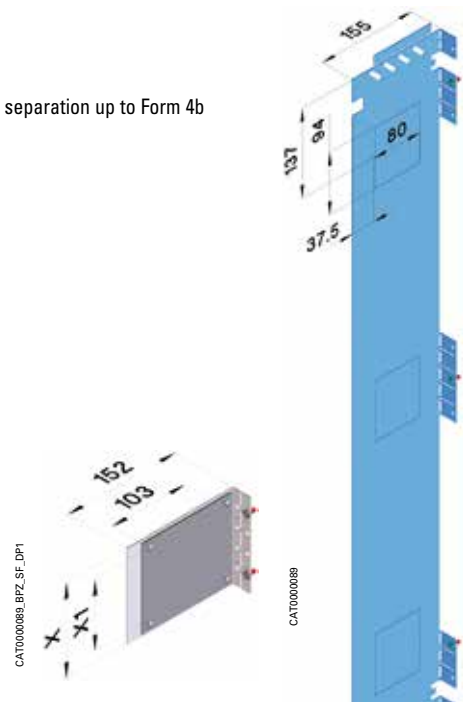
- To protect the 200 mm compartment from unauthorized access
- The door is right-hinged, pivoting and removable when necessary
- Metal door to make contact with the enclosure
- Material: Sheet steel (1.5 mm), powder-coated, RAL 7035
- Scope of delivery: 1 Door incl. mounting frame, fixing accessories

Partition for Divided Setup, BPZ-SF-DP-..

- For vertical partition between 2 sub-sections within one enclosure
- Section-high partition plates for continuous shared compartments, incl. rectangular perforations
- Various partitions from 100 mm up to 800 mm for sealing off prepared compartments / mounting kits, incl. plastic inserts for better accessibility of cable entries etc.
- In combination with horizontal separation main frame BPZ-ASMF it's possible to achieve internal form of separation up to Form 4b
- Mounted on main frame in the back
- Material: Sheet steel (1.5 mm), galvanized
- Scope of delivery: 1 partition plate, mounting accessories

Dimensions (mm)

Type	X	X1	Cutout
BPZ-SF-DP-100	93	63	63x103
BPZ-SF-DP-125	118	88	88x103
BPZ-SF-DP-150	143	113	113x103
BPZ-SF-DP-175	168	138	138x103
BPZ-SF-DP-200	193	163	163x103
BPZ-SF-DP-250	243	213	213x103
BPZ-SF-DP-300	293	263	263x103
BPZ-SF-DP-350	343	313	313x103
BPZ-SF-DP-400	393	363	363x103
BPZ-SF-DP-500	493	463	463x103
BPZ-SF-DP-600	593	563	563x103
BPZ-SF-DP-800	793	763	763x103

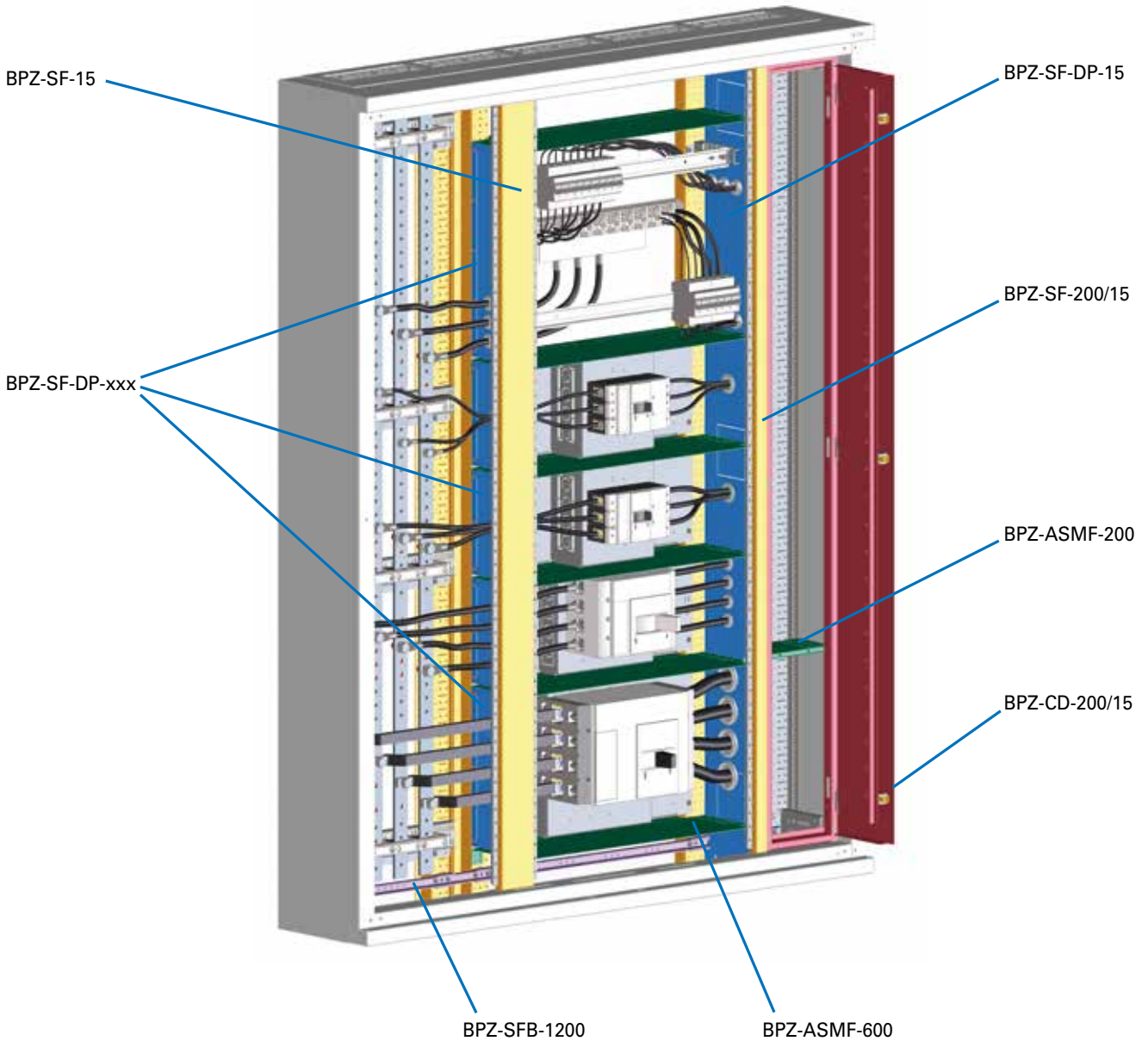


Separation Main Frame, BPZ-ASMF

- Mounted on main frame
- For creating a horizontal section within the board
- Mounted horizontal with knock-outs
- Material: Sheet steel (1.25 mm), zinc-coated
- Scope of delivery: 1 Partition, hitch screw

Possible Variants for Vertical Division in a Surface-Mounted Installation Distribution Board IP30 and IP55

Type / Enclosure width [mm]	Compartment Width [mm]					Parts required depending on division of the enclosure		
	1000	800	600	400	200	Fixing profile	BPZ-SF	BPZ-SF-200
Wall-mounted enclosure 800 mm	-	-	-	2x	-	BPZ-SFB-800	1x	-
Wall-mounted enclosure 800 mm	-	-	1x	-	1x	BPZ-SFB-800	-	1x
Wall-mounted enclosure 1000 mm	-	-	-	2x	1x	BPZ-SFB-1000	1x	1x
Wall-mounted enclosure 1000 mm	-	-	1x	1x	-	BPZ-SFB-1000	1x	-
Wall-mounted enclosure 1000 mm	-	1x	-	-	1x	BPZ-SFB-1000	-	1x
Wall-mounted enclosure 1200 mm	-	-	-	3x	-	BPZ-SFB-1200	2x	-
Wall-mounted enclosure 1200 mm	-	-	1x	1x	1x	BPZ-SFB-1200	1x	1x
Wall-mounted enclosure 1200 mm	-	-	2x	-	-	BPZ-SFB-1200	1x	-
Wall-mounted enclosure 1200 mm	-	1x	-	1x	-	BPZ-SFB-1200	1x	-
Wall-mounted enclosure 1200 mm	1x	-	-	-	1x	BPZ-SFB-1200	-	1x
Floor-standing enclosure 1000 mm	-	-	1x	1x	-	-	1x	-
Floor-standing enclosure 1200 mm	-	-	-	3x	-	-	2x	-
Floor-standing enclosure 1200 mm	-	-	2x	-	-	-	1x	-
Floor-standing enclosure 1200 mm	-	1x	-	1x	-	-	1x	-



wa_v01318, v07115, v110319



Distribution Boards

Distribution Boards

• Chapter 0	
Table of Contents	Page 1
• Chapter 1	
Field distribution boards protection class II	Page 2
1.1 Surface-mounted field distribution board EWK-G., IP31	Page 3
• Chapter 2	
Enclosures / switchgear cabinets for installation system EP	Page 6
2.1 Surface-mounted distribution board BP-O-...-EP-W, IP31	Page 8
2.2 Surface-mounted distribution board BPM-O-...-EP, IP55	Page 12
2.3 Floor-standing distribution board BPM-F-...-EP, IP55	Page 17
• Chapter 3	
EP installation system - standard modules / mounting kits	Page 22
3.1 EP installation system - standard modules / Fitting-kits, Width 250 mm	Page 24
3.2 EP installation system - standard modules / Fitting-kits, Width 500 mm	Page 28
3.3 EP installation system - standard modules / Fitting-kits, Width 750 mm	Page 32
3.4 EP installation system - standard modules / Fitting-kits, Technical data	Page 34
• Chapter 4	
EP installation system - general accessories	Page 41
• Chapter 5	
Enclosures / switchgear cabinets for installation system Profi+	Page 54
5.1 Surface-mounted distribution board BP-O-..., IP30 (pre-assembled)	Page 56
5.2 Surface-mounted distribution board BP-O-..., IP30 (flat-pack, grey)	Page 60
5.3 Surface-mounted distribution board BP-O-..., IP30 (flat-pack, white)	Page 64
5.4 Surface-mounted distribution board BPM-O-..., IP55	Page 87
5.5 Flush-mounted distribution board BP(A/M)-U-3S-..., IP30/IP43/IP54	Page 97
5.6 Floor-standing distribution board BP-F-..., IP30	Page 111
5.7 Distribution boards for special applications, BP-MN / BP-VF	Page 122
5.8 Floor-standing distribution board BPM-F-..., IP55	Page 127
5.9 Shared compartments inside distribution boards BP(M)-O, BP(M)-F	Page 139
• Chapter 6	
Profi+ installation system - components for interior fitting	Page 144
6.1 Front plates, blind and with 45mm cut-out for DIN-rail devices	Page 146
6.2 Mounting kits for Moulded Case Circuit Breaker	Page 154
6.3 Mounting kits for Fuse Switch Disconnectors	Page 172
6.4 Mounting kits for BZM, Dumeco and QSA	Page 178
6.5 Mounting kits for Earthing and Neutral conductors	Page 179
6.6 Mounting plates for universal fixing of different components	Page 182
6.7 Mounting kits for Energy Meters and various metering equipment	Page 190
• Chapter 7	
Profi+ installation system - general accessories	Page 197
• Chapter 8	
General accessories xEnergy Basic	Page 218
• Chapter 9	
Overall technical data xEnergy Basic	Page 238
• Chapter 10	
Verification of temperature rise by testing - selection of reference examples	Page 243

System Overview

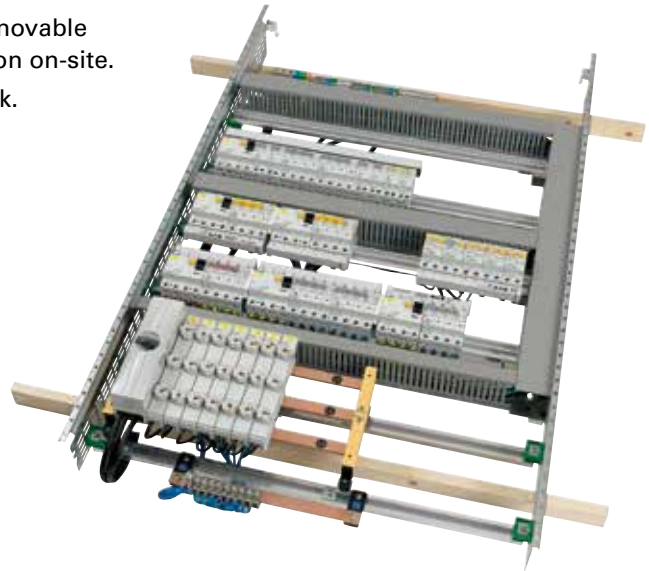
Different ways of assembling the interior fitting

Option 1: using "MSW" for simple wiring in the workshop

Efficient pre-installation in the workshop thanks to our removable mounting insert (BPZ-MSW) guarantees smooth connection on-site. All connection points are fully accessible and easy to check.

Benefits:

- Fast and reliable
- Time-saving solution
- Easy access from 360° view
- No housing around the insert



Option 2: using fixed installation material for direct mounting inside the enclosure

Well-considered cabling and connection work directly in the enclosure thanks to different components for a clear and structured "multilayer" assembling.

All interior parts are directly linked to the installation profiles on the back side of the enclosure.

Benefits:

- Robust design
- Multilayer assembling possible
- Internal connection to separate cable room / busbar compartment
- Mounting kits for multiple MCCB installation available



6.1

xEnergy Distribution Boards

Front plates, blind and with 45 mm cut-out for DIN-rail devices



Width [mm]	Height [mm]	Front plate (blind), Powder-coated steel-sheet / Self-earthing fasteners enable continuous conductivity of the protective earthing concept		Front plate (blind) / Powder-coated steel-sheet / Screwed variant by using self-tapping / Screws incl. sealing option (without plastic fastener)		Front plate (blind) / Powder-coated steel-sheet with plastic insert (PVC) / Self-earthing fasteners enable continuous conductivity of the protective earthing concept. / Sealable front plate possible by using sealing screw BPZ-S	
		Sealable front plate possible by using sealing screw BPZ-S incl. sealing screw BPZ-S					
		Material thickness 1.25 mm	Material thickness 1.25 mm	Material thickness 1.25 mm	Material thickness 1.25 mm	Material thickness 1.25 mm (sheet metal) / 2mm (PVC)	
		RAL 7035 grey	RAL 9016 white	RAL 7035 grey	RAL 7035 grey Empty	RAL 7035 grey	
		Article No. per unit unit = 1 pc.	Article No. per unit unit = 1 pc.	Article No. per unit unit = 1 pc.	Article No. per unit unit = 1 pc.	Article No. per unit unit = 1 pc.	

Front plates, blind and with 45mm cut-out for DIN-rail devices, BPZ-(VZ)FP(P)-...

400 (13MU/row)	50	BPZ-FP-400/050-BL 286675	BPZ-FP-400/050-BL-W 292397	BPZ-VZFP-400/050-BL 152591	BPZ-FP-S-400/050-BL 193921	-	-
	100	BPZ-FP-400/100-BL 286676	BPZ-FP-400/100-BL-W 292398	BPZ-VZFP-400/100-BL 152592	BPZ-FP-S-400/100-BL 193922	-	-
	125	BPZ-FP-400/125-BL 151252	-	-	-	-	-
	150	BPZ-FP-400/150-BL 286677	BPZ-FP-400/150-BL-W 292399	-	BPZ-FP-S-400/150-BL 193923	-	BPZ-FPP-400/150-BL 120732
	175	BPZ-FP-400/175-BL 151257	-	-	-	-	-
	200	BPZ-FP-400/200-BL 286679	BPZ-FP-400/200-BL-W 292401	-	BPZ-FP-S-400/200-BL 193924	-	-
	250	BPZ-FP-400/250-BL 108389	BPZ-FP-400/250-BL-W 108399	-	-	-	-
	300	BPZ-FP-400/300-BL 108390	BPZ-FP-400/300-BL-W 108400	BPZ-VZFP-400/300-BL 152593	BPZ-FP-S-400/300-BL 193925	-	BPZ-FPP-400/300-BL 108291
	350	BPZ-FP-400/350-BL 119229	BPZ-FP-400/350-BL-W 119245	-	-	-	-
	400	BPZ-FP-400/400-BL 119230	BPZ-FP-400/400-BL-W 119246	-	-	-	-
600 (24MU/row)	50	BPZ-FP-600/050-BL 286681	BPZ-FP-600/050-BL-W 292403	BPZ-VZFP-600/050-BL 152594	BPZ-FP-S-600/050-BL 193926	-	-
	100	BPZ-FP-600/100-BL 286682	BPZ-FP-600/100-BL-W 292404	BPZ-VZFP-600/100-BL 152595	BPZ-FP-S-600/100-BL 193927	-	-
	125	BPZ-FP-600/125-BL 151253	-	-	-	-	-
	150	BPZ-FP-600/150-BL 286683	BPZ-FP-600/150-BL-W 292405	BPZ-VZFP-600/150-BL 152596	BPZ-FP-S-600/150-BL 193928	-	BPZ-FPP-600/150-BL 120733
	175	BPZ-FP-600/175-BL 151258	-	-	-	-	-
	200	BPZ-FP-600/200-BL 286685	BPZ-FP-600/200-BL-W 292407	-	BPZ-FP-S-600/200-BL 193929	-	-
	250	BPZ-FP-600/250-BL 108391	BPZ-FP-600/250-BL-W 108401	BPZ-VZFP-600/250-BL 152597	-	-	-
	300	BPZ-FP-600/300-BL 108392	BPZ-FP-600/300-BL-W 108402	BPZ-VZFP-600/300-BL 152598	BPZ-FP-S-600/300-BL 193930	-	BPZ-FPP-600/300-BL 108292
	350	BPZ-FP-600/350-BL 119233	BPZ-FP-600/350-BL-W 119249	BPZ-VZFP-600/350-BL 152599	-	-	-
	400	BPZ-FP-600/400-BL 119234	BPZ-FP-600/400-BL-W 119250	BPZ-VZFP-600/400-BL 152600	-	-	-
500	BPZ-FP-600/500-BL 119235	BPZ-FP-600/500-BL-W 119251	-	-	-	BPZ-FPP-600/500-BL 108293	
800	BPZ-FP-600/800-BL 119236	BPZ-FP-600/800-BL-W 119252	-	-	-	-	

*) intended for use with MSW installation

Front plates, blind and with 45 mm cut-out for DIN-rail devices

VT00405, VT02805



vt14118



VT25506



Front plate (45mm cut-out) / Powder-coated steel-sheet / Self-earthing fasteners enable continuous conductivity of the protective earthing concept	Sealable front plate possible by using sealing screw BPZ-S Material thickness 1.25 mm RAL 7035 grey Article No. per unit unit = 1 pc.	Incl. sealing screw BPZ-S Material thickness 1.25mm RAL 7035 grey Article No. per unit unit = 1 pc.	Front plate (45mm cut-out) / Powder-coated steel-sheet / Screwed variant by using self-tapping screws Incl. sealing option (without plastic fastener) Material thickness 1.25mm RAL 7035 grey Article No. per unit unit = 1 pc.	Front plate with prepared openings for command devices RMQ-Titan / Powder-coated steel-sheet / Self-earthing fasteners enable continuous conductivity of the protective earthing concept / Sealable front plate possible by using sealing screw BPZ-S Material thickness 1.25mm RAL 7035 grey Article No. per unit unit = 1 pc.	RAL 9016 grey Article No. per unit unit = 1 pc.
--	--	--	---	--	--

-	-	-	-	-	-
-	-	-	-	BPZ-FP-400/100-RMQ 108370	BPZ-FP-400/100-RMQ-W 108372
BPZ-FP/MSW-400/125-45 *) 120783	-	BPZ-VZFP-400/125-45 152572	-	-	-
BPZ-FP-400/150-45 286678	BPZ-FP-400/150-45-W 292400	BPZ-VZFP-400/150-45 152573	BPZ-FP-S-400/150-45 193946	-	-
BPZ-FP/MSW-400/175-45 *) 120784	-	BPZ-VZFP-400/175-45 152574	-	-	-
BPZ-FP-400/200-45 286680	BPZ-FP-400/200-45-W 292402	-	-	-	-
-	-	-	-	-	-
-	-	-	-	-	-
-	-	-	-	-	-
-	-	-	-	-	-
-	-	-	-	-	-
-	-	-	-	-	-
-	-	-	-	-	-
-	-	-	-	-	-
-	-	-	-	-	-
-	-	-	-	-	-
-	-	-	-	BPZ-FP-600/100-RMQ 108371	BPZ-FP-600/100-RMQ-W 108373
BPZ-FP/MSW-600/125-45 *) 120785	-	BPZ-VZFP-600/125-45 152575	-	-	-
BPZ-FP-600/150-45 286684	BPZ-FP-600/150-45-W 292406	BPZ-VZFP-600/150-45 152576	BPZ-FP-S-600/150-45 193947	-	-
BPZ-FP/MSW-600/175-45 *) 120786	-	BPZ-VZFP-600/175-45 152577	-	-	-
BPZ-FP-600/200-45 286686	BPZ-FP-600/200-45-W 292408	BPZ-VZFP-600/200-45 152578	-	-	-
-	-	-	-	-	-
-	-	-	-	-	-
-	-	-	-	-	-
-	-	-	-	-	-
-	-	-	-	-	-
-	-	-	-	-	-
-	-	-	-	-	-
-	-	-	-	-	-
-	-	-	-	-	-

6.1

xEnergy Distribution Boards

Front plates, blind and with 45 mm cut-out for DIN-rail devices



Width [mm]	Height [mm]	Front plate (blind), Powder-coated steel-sheet / Self-earthing fasteners enable continuous conductivity of the protective earthing concept		Front plate (blind) / Powder-coated steel-sheet / Screwed variant by using self-tapping / Screws incl. sealing option (without plastic fastener)		Front plate (blind) / Powder-coated steel-sheet with plastic insert (PVC) / Self-earthing fasteners enable continuous conductivity of the protective earthing concept. / Sealable front plate possible by using sealing screw BPZ-S	
		Sealable front plate possible by using sealing screw BPZ-S incl. sealing screw BPZ-S					
		Material thickness 1.25 mm RAL 7035 grey	RAL 9016 white	Material thickness 1.25 mm RAL 7035 grey	Material thickness 1.25 mm RAL 7035 grey Empty	Material thickness 1.25 mm (sheet metal) / 2mm (PVC RAL 7035 grey)	
		Article No. per unit unit = 1 pc.	Article No. per unit unit = 1 pc.	Article No. per unit unit = 1 pc.	Article No. per unit unit = 1 pc.	Article No. per unit unit = 1 pc.	

Front plates, blind and with 45mm cut-out for DIN-rail devices, BPZ-(VZ)FP(P)-...

800 (35MU/ row)	50	BPZ-FP-800/050-BL 286687	BPZ-FP-800/050-BL-W 292409	BPZ-VZFP-800/050-BL 152601	BPZ-FP-S-800/050-BL 193931	-	-
	100	BPZ-FP-800/100-BL 286688	BPZ-FP-800/100-BL-W 292410	BPZ-VZFP-800/100-BL 152602	BPZ-FP-S-800/100-BL 193932	-	-
	125	BPZ-FP-800/125-BL 151254	-	-	-	-	-
	150	BPZ-FP-800/150-BL 286689	BPZ-FP-800/150-BL-W 292411	BPZ-VZFP-800/150-BL 152603	BPZ-FP-S-800/150-BL 193933	-	BPZ-FPP-800/150-BL 120734
	175	BPZ-FP-800/175-BL 151259	-	-	-	-	-
	200	BPZ-FP-800/200-BL 286691	BPZ-FP-800/200-BL-W 292413	BPZ-VZFP-800/200-BL 152604	BPZ-FP-S-800/200-BL 193934	-	-
	250	BPZ-FP-800/250-BL 108393	BPZ-FP-800/250-BL-W 108403	BPZ-VZFP-800/250-BL 152605	-	-	-
	300	BPZ-FP-800/300-BL 108394	BPZ-FP-800/300-BL-W 108404	BPZ-VZFP-800/300-BL 152606	BPZ-FP-S-800/300-BL 193935	-	BPZ-FPP-800/300-BL 108294
	350	BPZ-FP-800/350-BL 119237	BPZ-FP-800/350-BL-W 119253	BPZ-VZFP-800/350-BL 152607	-	-	-
	400	BPZ-FP-800/400-BL 119238	BPZ-FP-800/400-BL-W 119254	BPZ-VZFP-800/400-BL 152608	-	-	-
1000 (46MU/ row)	50	BPZ-FP-1000/050-BL 293526	BPZ-FP-1000/050-BL-W 293527	-	BPZ-FP-S-1000/050-BL 193936	-	-
	100	BPZ-FP-1000/100-BL 293528	BPZ-FP-1000/100-BL-W 293529	BPZ-VZFP-1000/100-BL 152609	BPZ-FP-S-1000/100-BL 193937	-	-
	125	BPZ-FP-1000/125-BL 151255	-	-	-	-	-
	150	BPZ-FP-1000/150-BL 293530	BPZ-FP-1000/150-BL-W 293531	-	BPZ-FP-S-1000/150-BL 193938	-	BPZ-FPP-1000/150-BL 120735
	175	BPZ-FP-1000/175-BL 151730	-	-	-	-	-
	200	BPZ-FP-1000/200-BL 293534	BPZ-FP-1000/200-BL-W 293535	-	BPZ-FP-S-1000/200-BL 193939	-	-
	250	BPZ-FP-1000/250-BL 108395	BPZ-FP-1000/250-BL-W 108405	BPZ-VZFP-1000/250-BL 152610	-	-	-
	300	BPZ-FP-1000/300-BL 108396	BPZ-FP-1000/300-BL-W 108406	BPZ-VZFP-1000/300-BL 152611	BPZ-FP-S-1000/300-BL 193940	-	BPZ-FPP-1000/300-BL 134202
	350	BPZ-FP-1000/350-BL 119241	BPZ-FP-1000/350-BL-W 119257	BPZ-VZFP-1000/350-BL 152612	-	-	-
	400	BPZ-FP-1000/400-BL 119242	BPZ-FP-1000/400-BL-W 119258	-	-	-	-
500	BPZ-FP-1000/500-BL 119243	BPZ-FP-1000/500-BL-W 119259	-	-	-	BPZ-FPP-1000/500-BL 134203	
800	BPZ-FP-1000/800-BL 119244	BPZ-FP-1000/800-BL-W 119260	-	-	-	-	

*) intended for use with MSW installation

Front plates, blind and with 45 mm cut-out for DIN-rail devices

VT00405, VT02805



vt14118



VT25506



Front plate (45mm cut-out) / Powder-coated steel-sheet / Self-earthing fasteners enable continuous conductivity of the protective earthing concept

Sealable front plate possible by using sealing screw BPZ-S

Material thickness 1.25 mm
RAL 7035 grey

Article No.
per unit
unit = 1 pc.

Incl. sealing screw BPZ-S

Material thickness 1.25mm
RAL 7035 grey

Article No.
per unit
unit = 1 pc.

Front plate (45mm cut-out) / Powder-coated steel-sheet / Screwed variant by using self-tapping screws

Incl. sealing option (without plastic fastener)

Material thickness 1.25mm
RAL 7035 grey

Article No.
per unit
unit = 1 pc.

Front plate with prepared openings for command devices RMQ-Titan / Powder-coated steel-sheet / Self-earthing fasteners enable continuous conductivity of the protective earthing concept /

Sealable front plate possible by using sealing screw BPZ-S

Material thickness 1.25mm
RAL 7035 grey

Article No.
per unit
unit = 1 pc.

Material thickness 1.25mm
RAL 9016 grey

Article No.
per unit
unit = 1 pc.

-	-	-	-	-	-
-	-	-	-	-	-
BPZ-FP/MSW-800/125-45 *) -	-	BPZ-VZFP-800/125-45 *) -	-	-	-
120787	-	152579	-	-	-
BPZ-FP-800/150-45	BPZ-FP-800/150-45-W	BPZ-VZFP-800/150-45	BPZ-FP-S-800/150-45	-	-
286690	292412	152580	193948	-	-
BPZ-FP/MSW-800/175-45 *) -	-	BPZ-VZFP-800/175-45 *) -	-	-	-
120788	-	152581	-	-	-
BPZ-FP-800/200-45	BPZ-FP-800/200-45-W	BPZ-VZFP-800/200-45	-	-	-
286692	292414	152582	-	-	-
-	-	-	-	-	-
-	-	-	-	-	-
-	-	-	-	-	-
-	-	-	-	-	-
-	-	-	-	-	-
-	-	-	-	-	-
-	-	-	-	-	-
-	-	-	-	-	-
-	-	-	-	-	-
-	-	-	-	-	-
-	-	-	-	-	-
-	-	-	-	-	-
-	-	-	-	-	-
-	-	-	-	-	-
-	-	-	-	-	-
BPZ-FP/MSW-1000/125-45 *) -	-	BPZ-VZFP-1000/125-45 *) -	-	-	-
120789	-	152583	-	-	-
BPZ-FP-1000/150-45	BPZ-FP-1000/150-45-W	BPZ-VZFP-1000/150-45	BPZ-FP-S-1000/150-45	-	-
293532	293533	152584	193949	-	-
BPZ-FP/MSW-1000/175-45 *) -	-	BPZ-VZFP-1000/175-45 *) -	-	-	-
120790	-	152585	-	-	-
BPZ-FP-1000/200-45	BPZ-FP-1000/200-45-W	BPZ-VZFP-1000/200-45	-	-	-
293536	293537	152586	-	-	-
-	-	-	-	-	-
-	-	-	-	-	-
-	-	-	-	-	-
-	-	-	-	-	-
-	-	-	-	-	-
-	-	-	-	-	-
-	-	-	-	-	-
-	-	-	-	-	-
-	-	-	-	-	-
-	-	-	-	-	-
-	-	-	-	-	-
-	-	-	-	-	-
-	-	-	-	-	-
-	-	-	-	-	-

6.1

xEnergy Distribution Boards

Front plates, blind and with 45 mm cut-out for DIN-rail devices



Width [mm]	Height [mm]	Front plate (blind), Powder-coated steel-sheet / Self-earthing fasteners enable continuous conductivity of the protective earthing concept	Front plate (blind) / Powder-coated steel-sheet / Screws incl. sealing option	Front plate (blind) / Powder-coated steel-sheet with plastic insert (PVC) / Self-earthing fasteners enable continuous conductivity of the protective earthing concept / Sealable front plate possible by using sealing screw BPZ-S
		Sealable front plate possible by using sealing screw BPZ-S	Incl. sealing screw BPZ-S (without plastic fastener)	
		Material thickness 1.25 mm RAL 7035 grey	Material thickness 1.25 mm RAL 7035 grey	Material thickness 1.25 mm (sheet metal) / 2mm (PVC) RAL 7035 grey
		Article No. per unit unit = 1 pc.	Article No. per unit unit = 1 pc.	Article No. per unit unit = 1 pc.

Front plates, blind and with 45mm cut-out for DIN-rail devices, BPZ-(VZ)FP(P)-...

Width [mm]	Height [mm]	BPZ-FP-1200/050-BL	BPZ-FP-1200/050-BL-W	BPZ-VZFP-1200/050-BL	BPZ-FP-S-1200/050-BL	BPZ-FPP-1200/050-BL
1200 (57MU/row)	50	293538	293539	-	193941	-
	100	293540	293541	152613	193942	-
	125	151256	-	-	-	-
	150	293542	293543	-	193943	120736
	175	151731	-	-	-	-
	200	293546	293547	-	193944	-
	250	108397	108407	152614	-	-
	300	108398	108408	152615	193945	134204
	350	144884	-	152616	-	-
	400	144885	-	-	-	-
	500	152516	152518	-	-	134205
	800	152517	152519	-	-	-

*) intended for use with MSW installation

Front plates, blind and with 45 mm cut-out for DIN-rail devices

VT00405, VT02805



vt14118



VT25506



Front plate (45mm cut-out) / Powder-coated steel-sheet / Self-earthing fasteners enable continuous conductivity of the protective earthing concept

Front plate (45mm cut-out) / Powder-coated steel-sheet / Screwed variant by using self-tapping screws

Front plate with prepared openings for command devices RMQ-Titan / Powder-coated steel-sheet / Self-earthing fasteners enable continuous conductivity of the protective earthing concept /

Sealable front plate possible by using sealing screw BPZ-S

incl. sealing screw BPZ-S

incl. sealing option (without plastic fastener)

Sealable front plate possible by using sealing screw BPZ-S

Material thickness 1.25 mm
RAL 7035 grey

RAL 9016 grey

Material thickness 1.25mm
RAL 7035 grey

Material thickness 1.25mm
RAL 7035 grey

RAL 9016 grey

Material thickness 1.25mm
RAL 7035 grey

RAL 9016 grey

Article No.
per unit
unit = 1 pc.

Article No.
per unit
unit = 1 pc.

Article No.
per unit
unit = 1 pc.

Article No.
per unit
unit = 1 pc.

Article No.
per unit
unit = 1 pc.

Article No.
per unit
unit = 1 pc.

Article No.
per unit
unit = 1 pc.

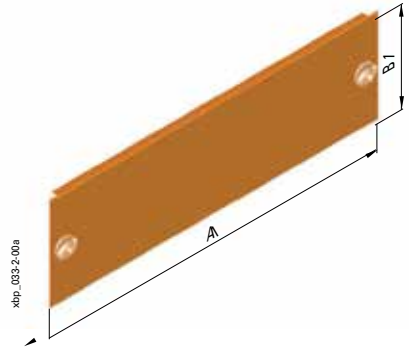
-	-	-	-	-	-	-
-	-	-	-	-	-	-
BPZ-FP/MSW-1200/125-45 *) - 120791		BPZ-VZFP-1200/125-45 *) - 152587				
BPZ-FP-1200/150-45 293544	BPZ-FP-1200/150-45-W 293545	BPZ-VZFP-1200/150-45 152588	BPZ-FP-S-1200/150-45 193950	BPZ-FP-S-1200/150-45-W - 193980		-
BPZ-FP/MSW-1200/175-45 *) - 120792		BPZ-VZFP-1200/175-45 *) - 152589				
BPZ-FP-1200/200-45 293548	BPZ-FP-1200/200-45-W 293549	BPZ-VZFP-1200/200-45 152590				
-	-	-	-	-	-	-
-	-	-	-	-	-	-
-	-	-	-	-	-	-
-	-	-	-	-	-	-
-	-	-	-	-	-	-
-	-	-	-	-	-	-
-	-	-	-	-	-	-

Front plates blind, BPZ-FP-...-BL

- To cover spare areas or to protect areas in use
- Material: sheet steel, powder-coated, RAL 7035 or RAL 9016
- Metal front plates with automatic connection to the enclosure
- Scope of delivery: 1 front plate

Dimensions (mm)

Type	Outside dimensions	
	Width	Height
	A1	B1
BPZ-FP-400/...-BL	320	50, 100, 150, 200, 250, 300
BPZ-FP-600/...-BL	520	50, 100, 150, 200, 250, 300
BPZ-FP-800/...-BL	720	50, 100, 150, 200, 250, 300
BPZ-FP-1000/...-BL	920	50, 100, 150, 200, 250, 300
BPZ-FP-1200/...-BL	1120	50, 100, 150, 200, 250, 300

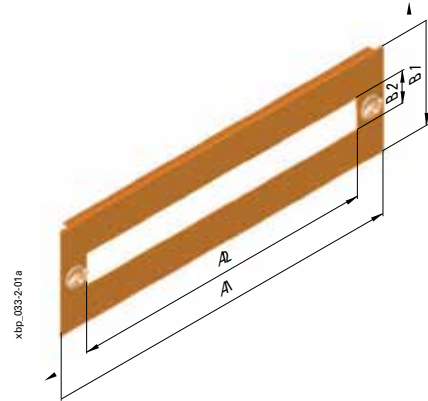


Front plates with 45 mm device cutout, BPZ-FP-...-45

- To cover areas accommodating switchgear
- Material: sheet steel, powder-coated, RAL 7035 or RAL 9016
- Metal front plates with automatic connection to the enclosure
- Scope of delivery: 1 front plate

Dimensions (mm)

Type	Outside dimensions		Inside dimensions		
	Width	Height	Width	Height	TE
	A1	B1	A2	B2	
BPZ-FP-400/...-45	320	150, 200	238	46	13
BPZ-FP-600/...-45	520	150, 200	438	46	24
BPZ-FP-800/...-45	720	150, 200	638	46	35
BPZ-FP-1000/...-45	920	150, 200	838	46	46
BPZ-FP-1200/...-45	1120	150, 200	1038	46	57

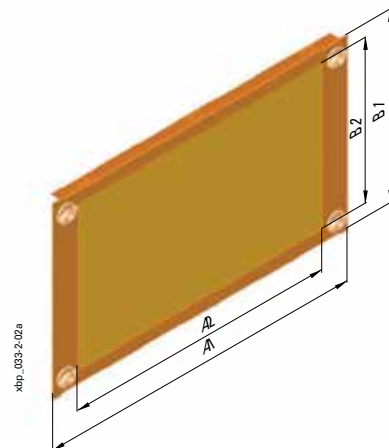


Front plates sheet steel with plastic insert, BPZ-FPP-...-BL

- Material: sheet steel, powder-coated, RAL 7035 or RAL 9016
- Metal front plates with automatic connection to the enclosure
- Material of plastic insert: 2 mm PVC, similar to RAL 7035
- Scope of delivery: 1 front plate

Dimensions (mm)

Type	Outside dimensions		Inside dimensions	
	Width	Height	Width	Height
	A1	B1	A2	B2
BPZ-FPP-400/150-BL	320	150	230	90
BPZ-FPP-400/300-BL	320	300	230	254
BPZ-FPP-600/150-BL	520	150	430	90
BPZ-FPP-600/300-BL	520	300	430	254
BPZ-FPP-600/500-BL	520	500	430	454
BPZ-FPP-800/150-BL	720	150	630	90
BPZ-FPP-800/300-BL	720	300	630	254
BPZ-FPP-800/500-BL	720	500	630	454
BPZ-FPP-1000/150-BL	920	150	830	90
BPZ-FPP-1000/300-BL	920	300	830	254
BPZ-FPP-1000/500-BL	920	500	830	454
BPZ-FPP-1200/150-BL	1120	150	1030	90
BPZ-FPP-1200/300-BL	1120	300	1030	254
BPZ-FPP-1200/500-BL	1120	500	1030	454

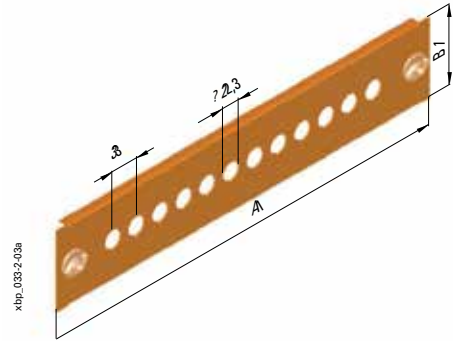


Front plates for command devices RMQ-Titan, BPZ-FP-...-RMQ

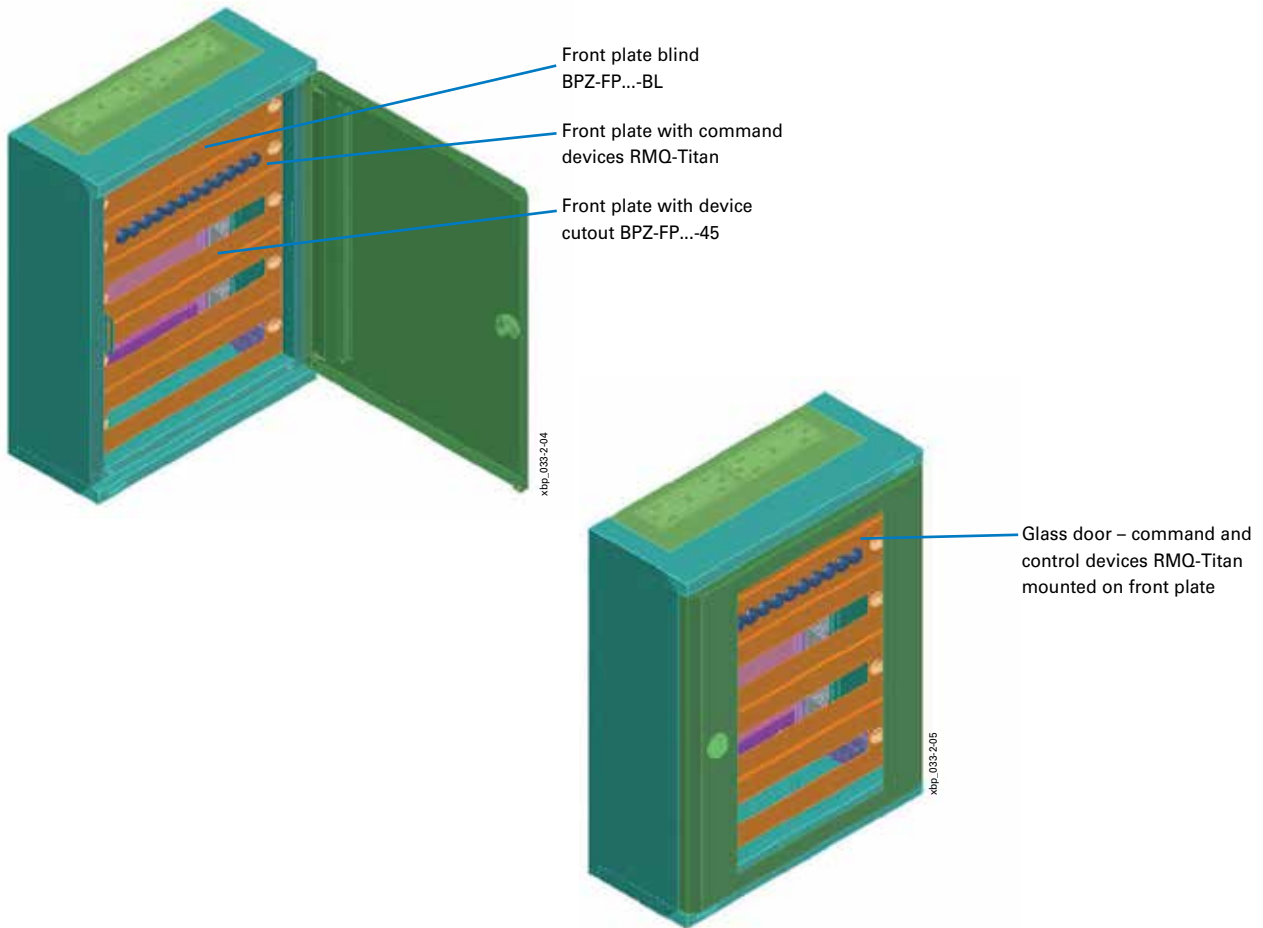
- Material: sheet steel, powder-coated, RAL 7035 or RAL 9016
- Metal front plates with automatic connection to the enclosure
- Scope of delivery: 1 front plate

Dimensions (mm)

Type	Outside dimensions		Amount of supports for RMQ
	Width A1	Height B1	
BPZ-FP-400/100-RMQ	320	100	7
BPZ-FP-600/100-RMQ	520	100	12



Examples of application of front plates



Detail



Rear view of self-earthing seal.
Conductive connection of the front plates
with frame is type tested.



6.2

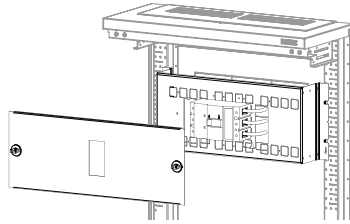
xEnergy Distribution Boards

Mounting kits for Moulded Case Circuit Breaker

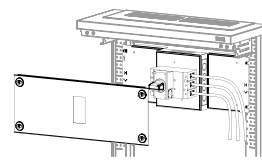
vt11419 Symbolphoto



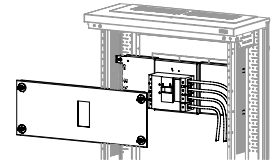
CAT0000059



CAT0000060



CAT0000061

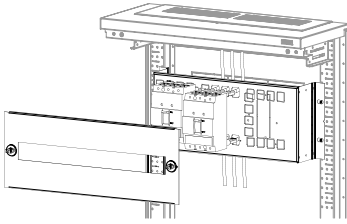


Width [mm]	Installation back frame			Mounting side wall (MSW)
	NZM1 single Toggle operation Rear connection	Side connection	Rotary door handle / direct rotary handle	NZM1 single Toggle operation
	RAL 7035 grey	RAL 7035 grey [RAL 9016 white]	RAL 7035 grey [RAL 9016 white]	RAL 7035 grey [RAL 9016 white]
	Article No. per unit unit = 1 pc.	Article No. per unit unit = 1 pc.	Article No. per unit unit = 1 pc.	Article No. per unit unit = 1 pc.

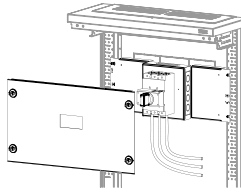
Mounting kits for Moulded Case Circuit Breaker, frame size 1, NZM1/LZM1 (horizontal configuration)

400	-	BPZ-NZM1-400-MH 173601 [BPZ-NZM1-400-MH-W] [190039]	-	-
600	BPZ-MPL-NZM1X-600-MX 174390 BPZ-FP/S-NZM1-600-MH 174408	BPZ-NZM1-600-MH 286760 [BPZ-NZM1-600-MH-W] [292476]	BPZ-NZM1-600-MH-RH 116686 [BPZ-NZM1-600-MH-RH-W] [105523]	BPZ-NZM1/MSW-600-MH 116935 [BPZ-NZM1/MSW-600-MH-W] 116939]
800	BPZ-MPL-NZM1X-800-MX 174399 BPZ-FP/S-NZM1-800-MH 174376	BPZ-NZM1-800-MH 293599 [BPZ-NZM1-800-MH-W] [293600]	BPZ-NZM1-800-MH-RH 116688 [BPZ-NZM1-800-MH-RH-W] [105525]	BPZ-NZM1/MSW-800-MH 116937 [BPZ-NZM1/MSW-800-MH-W] [116941]
1000	-	-	-	-
1200	-	-	-	-

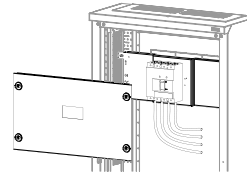
CAT0000062



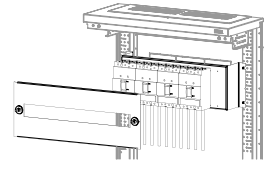
CAT0000063



CAT0000064



CAT0000065



Installation back frame NZM1 single (+XF1 module) or NZM1 multiple	NZM1 single	Rotary door handle / direct rotary handle	Mounting side wall (MSW) NZM1 single	Installation back frame NZM1 multiple
Toggle operation		Toggle operation		Toggle operation
Rear connection	Top/bottom connection	Top/bottom connection	Top/bottom connection	Top/bottom connection
RAL 7035 grey	RAL 7035 grey [RAL 9016 white]	RAL 7035 grey [RAL 9016 white]	RAL 7035 grey [RAL 9016 white]	RAL 7035 grey
Article No. per unit unit = 1 pc.	Article No. per unit unit = 1 pc.	Article No. per unit unit = 1 pc.	Article No. per unit unit = 1 pc.	Article No. per unit unit = 1 pc.

Mounting kits for Moulded Case Circuit Breaker, frame size 1, NZM1/LZM1 (vertical configuration)

	BPZ-NZM1-400-MV 286757 [BPZ-NZM1-400-MV-W] [292473]	BPZ-NZM1-400-MV-RH 116679 [BPZ-NZM1-400-MV-RH-W] [105217]	BPZ-NZM1/MSW-400-MV 116923 [BPZ-NZM1/MSW-400-MV-W] [116929]	BPZ-MPL-NZM1X-400-MV 120742 BPZ-FP-NZM1X-2/2-400-MV 195392 (up to 2xNZM1-3p / 2xNZM1-4p)
BPZ-MPL-NZM1X-600-MX 174390 BPZ-FP/S-NZM1X-3/3-600-MV 195393 (up to 3xNZM1-4p)	BPZ-NZM1-600-MV 286762 [BPZ-NZM1-600-MV-W] [292478]	BPZ-NZM1-600-MV-RH 116682 [BPZ-NZM1-600-MV-RH-W] [105219]	BPZ-NZM1/MSW-600-MV 116925 [BPZ-NZM1/MSW-600-MV-W] [116931]	BPZ-MPL-NZM1X-600-MV 120743 BPZ-FP/S-NZM1X-3/3-600-MV 195393 (up to 4xNZM1-3p / 3xNZM1-4p)
BPZ-MPL-NZM1X-800-MX 174399 BPZ-FP/S-NZM1X-4/4-800-MV 195394 (up to 4xNZM1-4p)	BPZ-NZM1-800-MV 293603 [BPZ-NZM1-800-MV-W] [293604]	BPZ-NZM1-800-MV-RH 116684 [BPZ-NZM1-800-MV-RH-W] [105521]	BPZ-NZM1/MSW-800-MV 116927 [BPZ-NZM1/MSW-800-MV-W] [116933]	BPZ-MPL-NZM1X-800-MV 120744 BPZ-FP/S-NZM1X-4/4-800-MV 195394 (up to 7xNZM1-3p / 5xNZM1-4p)
				BPZ-MPL-NZM1X-1000-MV 173619 BPZ-FP/S-NZM1X-5/5-1000-MV 195395 (up to 9xNZM1-3p / 6xNZM1-4p)
				BPZ-MPL-NZM1X-1200-MV 173620 BPZ-FP/S-NZM1X-6/6-1200-MV 195396 (up to 11xNZM1-3p / 8xNZM1-4p)

6.2

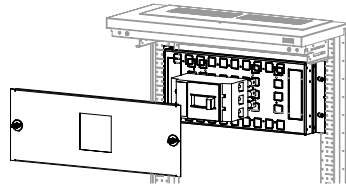
xEnergy Distribution Boards

Mounting kits for Moulded Case Circuit Breaker

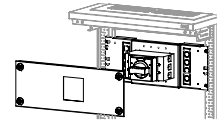
vt11419 Symbolphoto



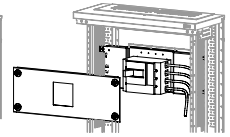
CAT0000066



CAT0000067



CAT0000068

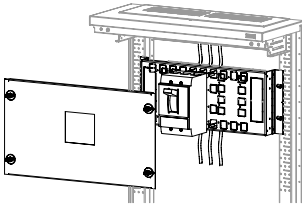


Width [mm]	Installation back frame		Rotary door handle / direct rotary handle		Mounting side wall (MSW)
	NZM2 + XFI module	NZM2 single	Side connection	Side connection	
	Toggle operation				Toggle operation
	Rear connection		Side connection	Side connection	Side connection
	RAL 7035 grey	RAL 7035 grey	RAL 7035 grey [RAL 9016 white]	RAL 7035 grey [RAL 9016 white]	RAL 7035 grey [RAL 9016 white]
	Article No. per unit unit = 1 pc.	Article No. per unit unit = 1 pc.	Article No. per unit unit = 1 pc.	Article No. per unit unit = 1 pc.	Article No. per unit unit = 1 pc.

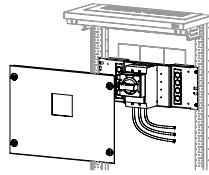
Mounting kits for Moulded Case Circuit Breaker, frame size 2, NZM2/LZM2 (horizontal configuration)

400	-	-	BPZ-NZM2-400-MH 173602 [BPZ-NZM2-400-MH-W] [190040]	-	-
600	BPZ-MPL-NZM2X-600-MX 174391 BPZ-FP/S-NZM2-XFI-600-MH 174410	BPZ-MPL-NZM2X-600-MX 174391 BPZ-FP/S-NZM2-600-MH 174409	BPZ-NZM2-600-MH 286761 [BPZ-NZM2-600-MH-W] [292477]	BPZ-NZM2-600-MH-RH 116687 [BPZ-NZM2-600-MH-RH-W] [105524]	BPZ-NZM2/MSW-600-MH 116936 [BPZ-NZM2/MSW-600-MH-W] [116940]
800	BPZ-MPL-NZM2X-800-MX 174400 BPZ-FP/S-NZM2-XFI-800-MH 174378	BPZ-MPL-NZM2X-800-MX 174400 BPZ-FP/S-NZM2-800-MH 174377	BPZ-NZM2-800-MH 293601 [BPZ-NZM2-800-MH-W] [293602]	BPZ-NZM2-800-MH-RH 116689 [BPZ-NZM2-800-MH-RH-W] [105526]	BPZ-NZM2/MSW-800-MH 116938 [BPZ-NZM2/MSW-800-MH-W] [116942]
1000	-	-	-	-	-
1200	-	-	-	-	-

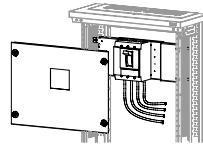
CAT0000069



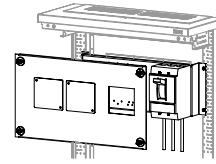
CAT0000070



CAT0000071



CAT0000072



Installation back frame NZM2 single [NZM2 single + XFI module] NZM2 single		Mounting side wall (MSW) NZM2 single		Installation back frame NZM2 multiple	
Toggle operation		Rotary door handle /direct rotary handle		Toggle operation	
Rear connection	Top/bottom connection	Top/bottom connection	Top/bottom connection	Top/bottom connection	Rear connection
RAL 7035 grey [RAL 9016 white]	RAL 7035 grey [RAL 9016 white]	RAL 7035 grey [RAL 9016 white]	RAL 7035 grey [RAL 9016 white]	RAL 7035 grey	RAL 7035 grey
Article No. per unit unit = 1 pc.	Article No. per unit unit = 1 pc.	Article No. per unit unit = 1 pc.	Article No. per unit unit = 1 pc.	Article No. per unit unit = 1 pc.	

Mounting kits for Moulded Case Circuit Breaker, frame size 2, NZM2/LZM2 (vertical configuration)

	BPZ-NZM2-400-MV 286758 [BPZ-NZM2-400-MV-W] [292474]	BPZ-NZM2-400-MV-RH 116680 [BPZ-NZM2-400-MV-RH-W] [105218]	BPZ-NZM2/MSW-400-MV 116924 [BPZ-NZM2/MSW-400-MV-W] [116930]	BPZ-MPL-NZM2X-400-MV - 120745 BPZ-FP-NZM2X-2/0-400-MV 173607 (up to 2xNZM2-3p)	
BPZ-MPL-NZM2X-600-MX 174391	BPZ-NZM2-600-MV 286763 [BPZ-NZM2-600-MV-W] [292479]	BPZ-NZM2-600-MV-RH 116683 [BPZ-NZM2-600-MV-RH-W] [105520]	BPZ-NZM2/MSW-600-MV 116926 [BPZ-NZM2/MSW-600-MV-W] [116932]	BPZ-MPL-NZM2X-600-MV 120746 BPZ-FP-NZM2X-3/2-600-MV 173608 (up to 3xNZM2-3p / 2xNZM2-4p)	BPZ-MPL-NZM2X-600-MX 174391 BPZ-FP/S-NZM2X-2/2-600-MV 174393 (up to 2xNZM2-4p)
BPZ-MPL-NZM2X-800-MX 174400	BPZ-NZM2-800-MV 293605 [BPZ-NZM2-800-MV-W] [293606]	BPZ-NZM2-800-MV-RH 116685 [BPZ-NZM2-800-MV-RH-W] [105522]	BPZ-NZM2/MSW-800-MV 116928 [BPZ-NZM2/MSW-800-MV-W] [116934]	BPZ-MPL-NZM2X-800-MV 120747 BPZ-FP-NZM2X-4/4-800-MV 173609 (up to 4xNZM2-3p / 4xNZM2-4p)	BPZ-MPL-NZM2X-800-MX 174400 BPZ-FP/S-NZM2X-3/3-800-MV 174402 (up to 3xNZM2-4p)
				BPZ-MPL-NZM2X-1000-MV - 173621 BPZ-FP-NZM2X-4/4-1000-MV 173610 (up to 4xNZM2-3p / 4xNZM2-4p)	
				BPZ-MPL-NZM2X-1200-MV - 173622 BPZ-FP-NZM2X-4/4-1200-MV 173611 (up to 4xNZM2-3p / 4xNZM2-4p)	

6.2

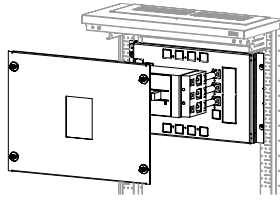
xEnergy Distribution Boards

Mounting kits for Moulded Case Circuit Breaker

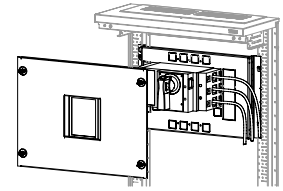
v11419 Symbolphoto



CAT0000073



CAT0000074

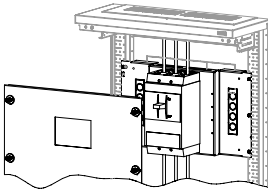


Width [mm]	Installation back frame			
	NZM3 single			
	Toggle operation			
	Rear connection	Side connection		Rotary door handle / direct rotary handle
	RAL 7035 grey	RAL 7035 grey	RAL 9016 white	Side connection
				RAL 7035 grey
	Article No. per unit unit = 1 pc.	Article No. per unit unit = 1 pc.	Article No. per unit unit = 1 pc.	Article No. per unit unit = 1 pc.

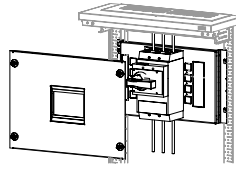
Mounting kits for Moulded Case Circuit Breaker, frame size 3, NZM3/LZM3 (horizontal configuration)

400	-	-	-	-
600	BPZ-MPL-NZM3-600-MX 174395 BPZ-FP/S-NZM3-600-MH 174411	BPZ-NZM3-600-MH 120750	BPZ-NZM3-600-MH-W 120752	BPZ-MPL-NZM3-600-MX 174395 BPZ-FP/S-NZM3-XDV-600-MH 177331
800	BPZ-MPL-NZM3-800-MX 174404 BPZ-FP/S-NZM3-800-MH 174379	BPZ-NZM3-800-MH 120751	BPZ-NZM3-800-MH-W 120753	BPZ-MPL-NZM3-800-MX 174404 BPZ-FP/S-NZM3-XDV-800-MH 177333
1000	-	-	-	-
1200	-	-	-	-

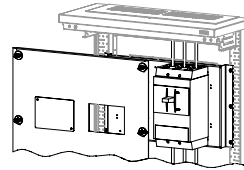
CAT0000075



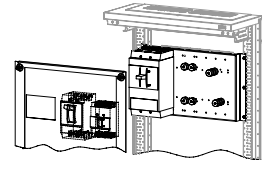
CAT0000076



CAT0000077



CAT0000078



Installation back frame				
NZM3 single			NZM3 multiple	Combination of different frame sizes
Toggle operation		Rotary door handle /direct rotary handle	Toggle operation	Toggle operation
Rear connection	Top/bottom connection	Top/bottom connection	Top/bottom connection	Top/bottom connection
RAL 7035 grey	RAL 7035 grey [RAL 9016 white]	RAL 7035 grey [RAL 9016 white]	RAL 7035 grey	RAL 7035 grey [RAL 9016 white]
Article No. per unit unit = 1 pc.	Article No. per unit unit = 1 pc.	Article No. per unit unit = 1 pc.	Article No. per unit unit = 1 pc.	Article No. per unit unit = 1 pc.

Mounting kits for Moulded Case Circuit Breaker, frame size 3, NZM3/LZM3 (vertical configuration)

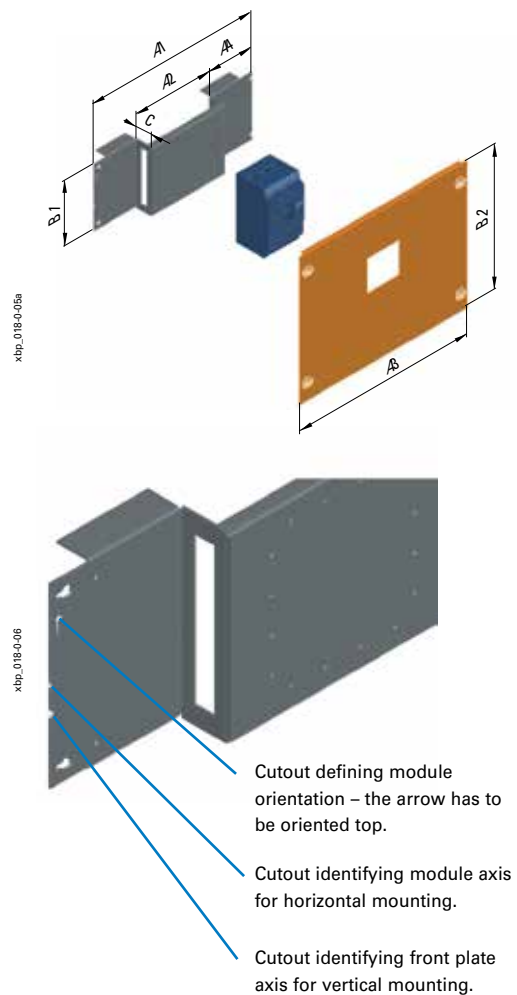
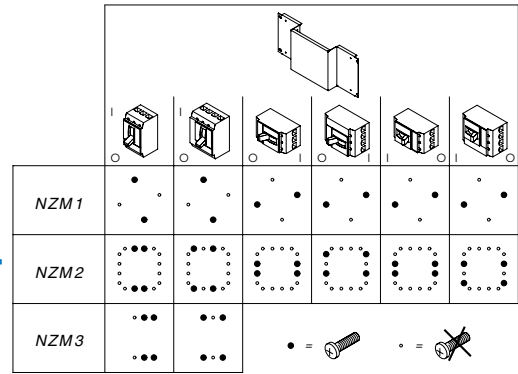
	BPZ-NZM3-400-MV 286759 [BPZ-NZM3-400-MV-W] [292475]	BPZ-NZM3-400-MV-RH 116681 [BPZ-NZM3-400-MV-RH-W] [105527]		
BPZ-MPL-NZM3-600-MX 174395	BPZ-NZM3-600-MV 286764	BPZ-MPL-NZM3-600-MX 174395	BPZ-MPL-NZM3X-600-MV 120748	BPZ-MPL-NZM3X-600-MV 120748
BPZ-FP/S-NZM3-600-MV 174396	[BPZ-NZM3-600-MV-W] [292480]	BPZ-FP/S-NZM3-XDV-600-MV 177327	BPZ-FP-NZM3X-2/2-600-MV 173612 (up to 2xNZM3-3p / 2xNZM3-4p)	BPZ-FPP-600/500-BL 108293 [BPZ-FPP-600/500-BL-W] [108298]
BPZ-MPL-NZM3-800-MX 174404	BPZ-NZM3-800-MV 293607	BPZ-MPL-NZM3-800-MX 174404	BPZ-MPL-NZM3X-800-MV 120749	BPZ-MPL-NZM3X-800-MV 120749
BPZ-FP/S-NZM3-800-MV 174405	[BPZ-NZM3-800-MV-W] [293608]	BPZ-FP/S-NZM3-XDV-800-MV 177329	BPZ-FP-NZM3X-3/3-800-MV 173613 (up to 3xNZM3-3p / 3xNZM3-4p)	BPZ-FPP-800/500-BL 108295 [BPZ-FPP-800/500-BL-W] [108330]
			BPZ-MPL-NZM3X-1000-MV 173623	BPZ-MPL-NZM3X-1000-MV 173623
			BPZ-FP-NZM3X-3/3-1000-MV 173614 (up to 3xNZM3-3p / 3xNZM3-4p)	BPZ-FPP-1000/500-BL 134203 [BPZ-FPP-1000/500-BL-W] [134207]
			BPZ-MPL-NZM3X-1200-MV 173624	BPZ-MPL-NZM3X-1200-MV 173624
			BPZ-FP-NZM3X-3/3-1200-MV 173615 (up to 3xNZM3-3p / 3xNZM3-4p)	BPZ-FPP-1200/500-BL 134205 [BPZ-FPP-1200/500-BL-W] [134209]

Mounting sets BPZ-NZM for circuit breakers NZM

- Mounting sets BPZ-NZM... for mounting NZM1-3 circuit breakers (position of the breaker vertical or horizontal) for surface-mounted or floor-standing boards
- Material
Front plate: sheet steel, powder-coated, RAL 7035 or RAL 9016
Mounting plate: sheet steel (2 mm), zinc-coated
- Metal front plates with automatic connection to the enclosure
- Design ...-RH for breakers equipped with rotary door handle, suitable only for surface-mounted or floor-standing boards
- Scope of delivery: 1 mounting plate, 1 front plate, fixing material

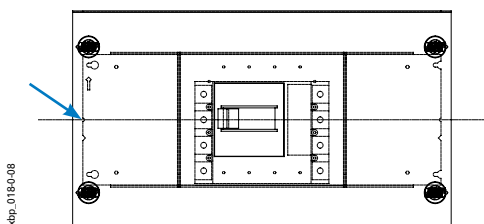
Dimensions (mm)

Type	Front plate Outside dimensions		Mounting plate Outside dimensions				
	Width	Height	Width	Height	A2	A4	C
	A3	B2	A1	B1			
BPZ-NZM1-400-MV	320	299	292	179	174	61	89.5
BPZ-NZM2-400-MV	320	399	292	179	230	33	54.5
BPZ-NZM3-400-MV	320	499	292	279	244	26	37
BPZ-NZM1-600-MV	520	299	492	179	174	161	89.5
BPZ-NZM2-600-MV	520	399	492	179	230	133	54.5
BPZ-NZM3-600-MV	520	499	492	279	244	126	37
BPZ-NZM1-800-MV	720	299	692	179	174	261	89.5
BPZ-NZM2-800-MV	720	399	692	179	230	233	54.5
BPZ-NZM3-800-MV	720	499	692	279	244	226	37
BPZ-NZM1-400-MH	320	199	292	179	74	61	89.5
BPZ-NZM2-400-MH	320	199	292	179	230	33	54.5
BPZ-NZM1-600-MH	520	199	492	179	174	161	89.5
BPZ-NZM2-600-MH	520	199	492	179	230	133	54.5
BPZ-NZM1-800-MH	720	199	692	179	174	261	89.5
BPZ-NZM2-800-MH	720	199	692	179	230	233	54.5
BPZ-NZM1/MSW-400-MV	320	299	288	185	174	57	16.5
BPZ-NZM2/MSW-400-MV	320	399	288	185	226	31	-18.5
BPZ-NZM1/MSW-600-MV	520	299	488	185	174	157	16.5
BPZ-NZM2/MSW-600-MV	520	399	488	185	226	131	-18.5
BPZ-NZM1/MSW-800-MV	720	299	688	185	174	257	16.5
BPZ-NZM2/MSW-800-MV	720	399	688	185	226	231	-18.5
BPZ-NZM1/MSW-600-MH	520	199	488	185	174	157	16.5
BPZ-NZM2/MSW-600-MH	520	199	488	185	226	131	-18.5
BPZ-NZM1/MSW-800-MH	720	199	688	185	174	257	16.5
BPZ-NZM2/MSW-800-MH	720	199	688	185	226	231	-18.5
BPZ-NZM1-400-MV-RH	320	299	292	179	174	61	54.5
BPZ-NZM2-400-MV-RH	320	399	292	179	230	33	19.5
BPZ-NZM3-400-MV-RH	320	499	292	279	244	26	0
BPZ-NZM1-600-MV-RH	520	299	492	179	174	161	54.5
BPZ-NZM2-600-MV-RH	520	399	492	179	230	133	19.5
BPZ-NZM1-800-MV-RH	720	299	692	179	174	261	54.5
BPZ-NZM2-800-MV-RH	720	399	692	179	230	233	19.5
BPZ-NZM1-600-MH-RH	520	199	492	179	174	161	54.5
BPZ-NZM2-600-MH-RH	520	199	492	179	230	133	19.5
BPZ-NZM1-800-MH-RH	720	199	692	179	174	261	54.5
BPZ-NZM2-800-MH-RH	720	199	692	179	230	233	19.5



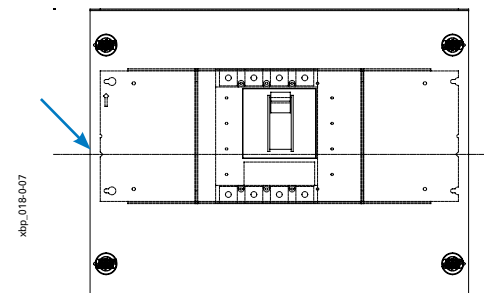
Round cutout:

- identifies axis of the device module
- Identifies front plate axis for horizontal mounting



Sharp cutout:

- identifies front plate axis for vertical mounting (position of the mounting plate is defined by the axis of the front plate)

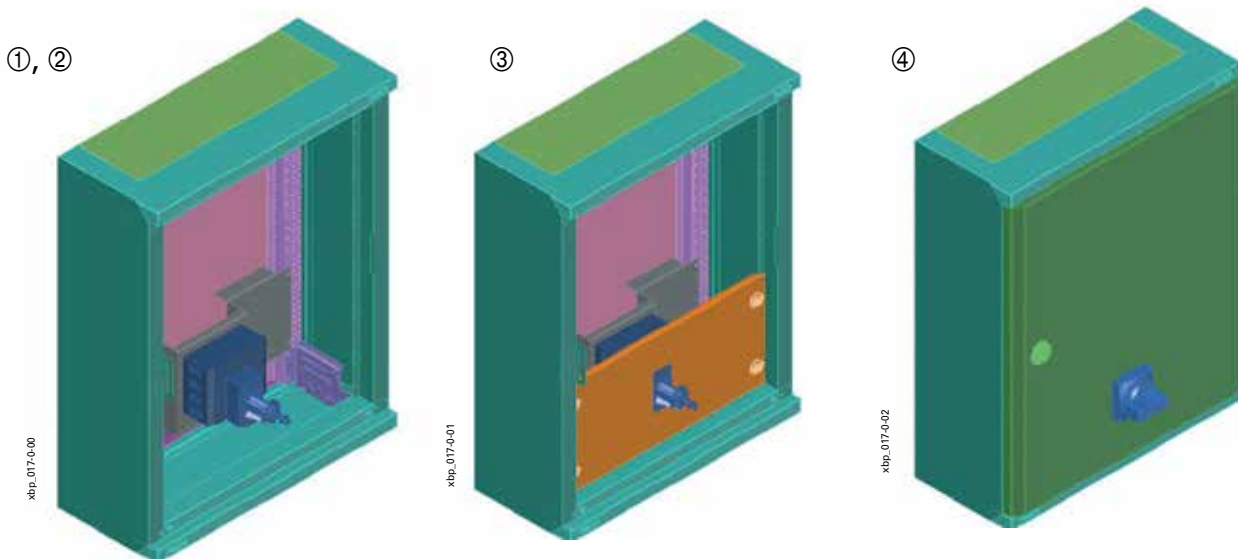


Applications of mounting sets BPZ-NZM...-RH

- Example of utilisation in a surface-mounted board (can be used for floor-standing boards as well)

Mounting process

1. Fixing of a breaker onto mounting plate from the set
2. Installation of the mounting plate with the breaker into board
3. Fixing of the front plate
4. Mounting of the door coupling and rotary handle



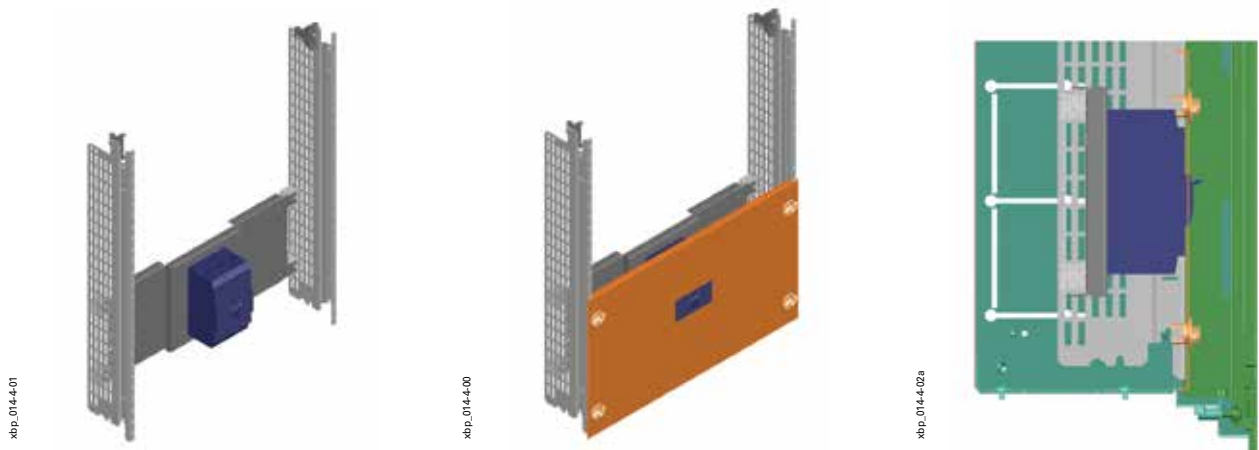
Applications of mounting sets BPZ-NZM...-MSW

- For NZM breakers of type size 1 and 2
- Vertical or horizontal orientation of the breaker
- Mounting on to side walls BPZ-MSW by means of fastening elements BEL

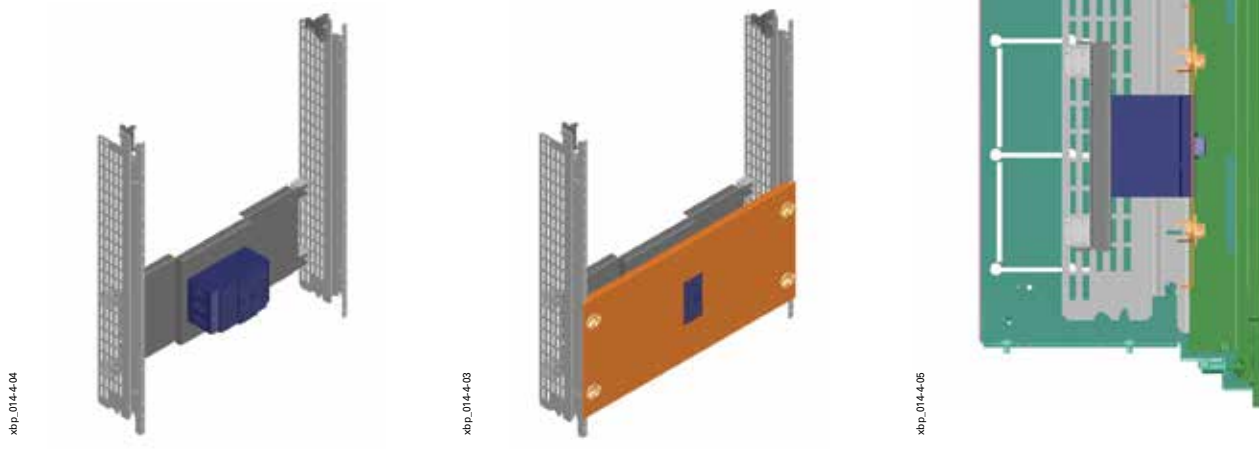
Mounting process:

1. Fixing of a breaker onto mounting plate from the set
2. Installation of the mounting plate with the breaker into board by means of fastening elements BEL
3. Fixing of the front plate

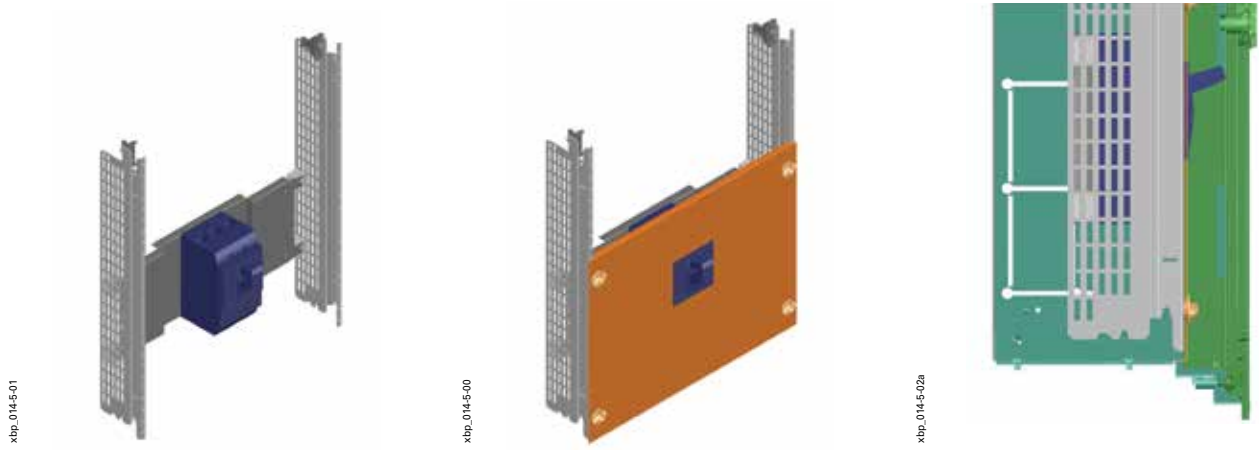
NZM1 breaker, horizontal orientation



NZM2 breaker, vertical orientation



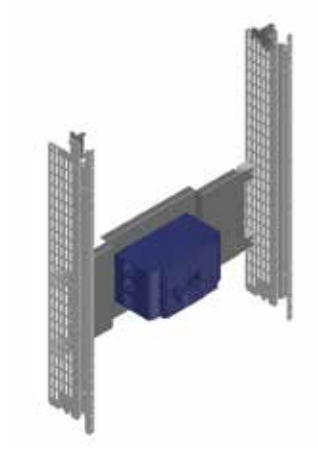
NZM2 breaker, vertical orientation



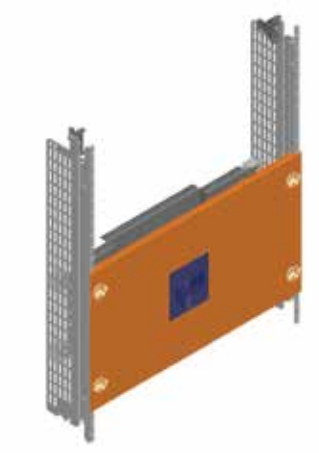
Applications of mounting sets BPZ-NZM...-MSW

NZM1 breaker, horizontal orientation

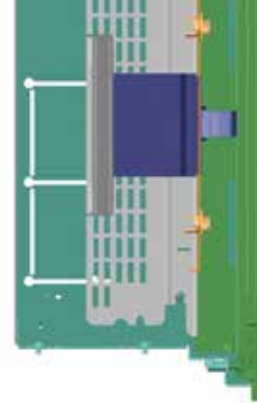
xbp_014-5-04



xbp_014-5-03



xbp_014-5-05



Mounting Plate for Several Devices such as NZM, BPZ-MPL-NZM...-...-MV

- For mounting one or several NZM devices in a vertical position
- Suitable for wall-mounted and floor-standing enclosures with Profi+ mounting frame
- Material: Sheet steel (2 mm), galvanized
- Scope of delivery: 1 Mounting plate, mounting accessories

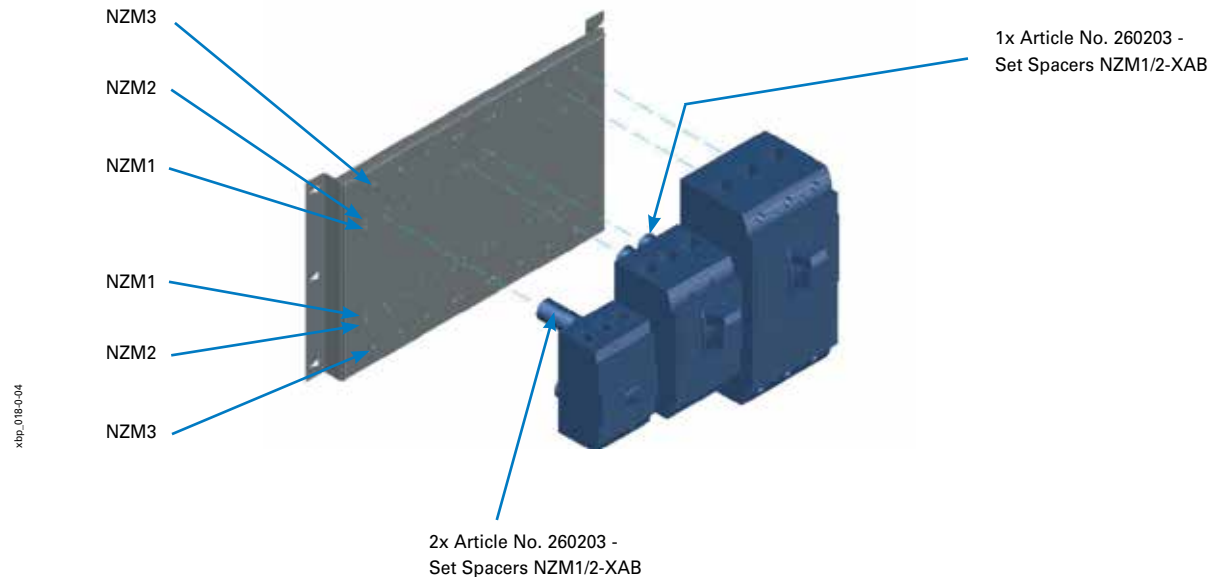
Dimensions (mm)

Type	Max. number of 3-/4-pole NZMs *)	A1	A2	B1
BPZ-MPL-NZM1X-400-MV	2x NZM1 / 2x NZM1	292	232	160
BPZ-MPL-NZM1X-600-MV	4x NZM1 / 3x NZM1	492	432	160
BPZ-MPL-NZM1X-800-MV	7x NZM1 / 5x NZM1	692	632	160
BPZ-MPL-NZM1X-1000-MV	9x NZM1 / 6x NZM1	892	832	160
BPZ-MPL-NZM1X-1200-MV	11x NZM1 / 8x NZM1	1092	1032	160
BPZ-MPL-NZM2X-400-MV	2x NZM2 / -	292	232	185
BPZ-MPL-NZM2X-600-MV	3x NZM2 / 2x NZM2	492	432	185
BPZ-MPL-NZM2X-800-MV	4x NZM2 / 4x NZM2	692	632	185
BPZ-MPL-NZM2X-1000-MV	4x NZM2 / 4x NZM2	892	832	185
BPZ-MPL-NZM2X-1200-MV	4x NZM2 / 4x NZM2	1092	1032	185
BPZ-MPL-NZM3X-600-MV	2x NZM3 / 2x NZM3	492	432	285
BPZ-MPL-NZM3X-800-MV	3x NZM3 / 3x NZM3	692	632	285
BPZ-MPL-NZM3X-1000-MV	3x NZM3 / 3x NZM3	892	832	285
BPZ-MPL-NZM3X-1200-MV	3x NZM3 / 3x NZM3	1092	1032	285

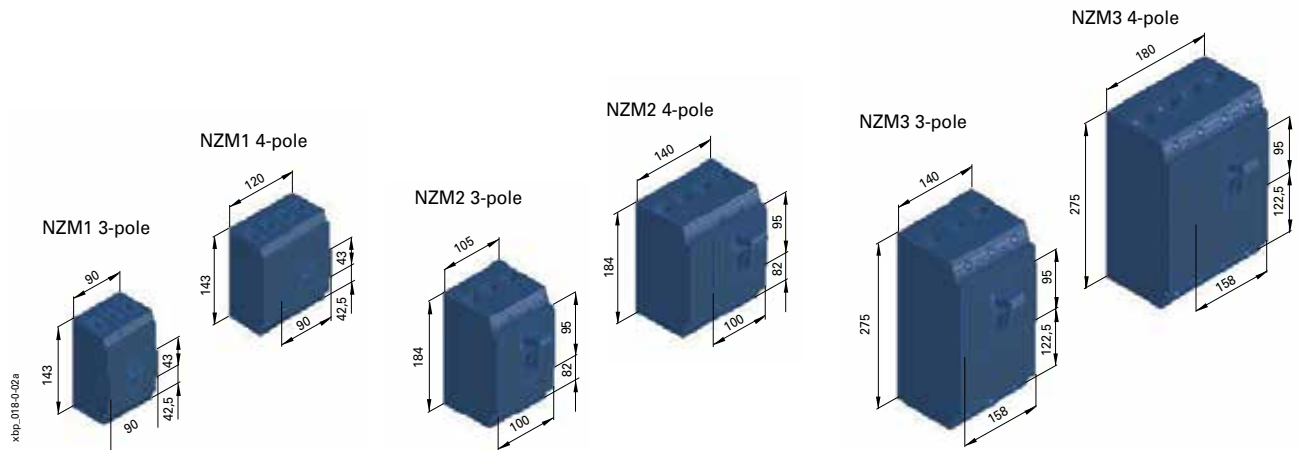
*) Max. number depending on availability of suitable front plates

Placing of the mounting holes for particular type sizes of the circuit breakers (BPZ-MPL-NZM3X-...)

- In case that circuit breakers of different type sizes are mounted onto a single mounting plate it is necessary to put spacers NZM1/2-XAB under the smaller size breaker. The matching front plate with plastic insert BPZ-FPP have to be prepared individual (no cuttings existing).



Basic dimensions of the circuit breakers NZM

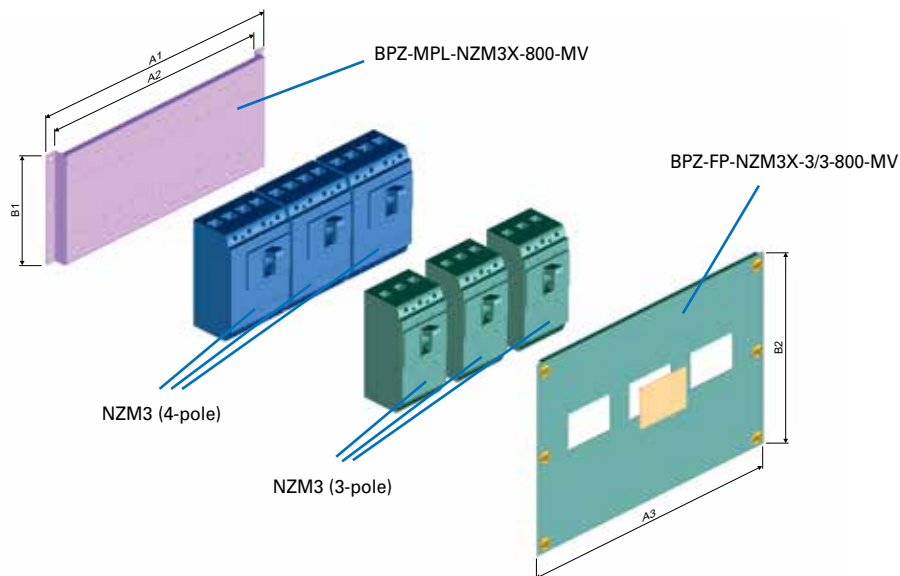


Front Plate for Several Devices such as NZM, BPZ-FP

- To cover the areas occupied by circuit breakers
- Metal front plates making contact with the enclosure
- Material: Sheet steel, powder-coated, RAL 7035
- Scope of delivery: 1 Front plate incl. empty-space cover (with NZM2, NZM3 and NZM4)

Dimensions (mm)

Type	Max. number of 3-/4-pole NZMs	A3	B2	Number of empty-space covers
BPZ-FP-NZM1X-2/2-400-MV	2x NZM1 / 2x NZM1	320	199	1x NZM1 Cover plate
BPZ-FP/S-NZM1X-3/3-600-MV	3x NZM1 / 3x NZM1	520	199	2x NZM1 Cover plates
BPZ-FP/S-NZM1X-4/4-800-MV	4x NZM1 / 4x NZM1	720	199	3x NZM1 Cover plates
BPZ-FP/S-NZM1X-5/5-1000-MV	5x NZM1 / 5x NZM1	920	199	4x NZM1 Cover plates
BPZ-FP/S-NZM1X-6/6-1200-MV	6x NZM1 / 6x NZM1	1120	199	5x NZM1 Cover plates
BPZ-FP-NZM2X-2/0-400-MV	2x NZM2 / -	320	299	1x NZM2 Cover plate
BPZ-FP-NZM2X-3/2-600-MV	3x NZM2 / 2x NZM2	520	299	2x NZM2 Cover plates
BPZ-FP-NZM2X-4/4-800-MV	4x NZM2 / 4x NZM2	720	299	3x NZM2 Cover plates
BPZ-FP-NZM2X-4/4-1000-MV	4x NZM2 / 4x NZM2	920	299	3x NZM2 Cover plates
BPZ-FP-NZM2X-4/4-1200-MV	4x NZM2 / 4x NZM2	1120	299	3x NZM2 Cover plates
BPZ-FP-NZM3X-2/2-600-MV	2x NZM3 / 2x NZM3	520	499	1x NZM3 Cover plate
BPZ-FP-NZM3X-3/3-800-MV	3x NZM3 / 3x NZM3	720	499	2x NZM3 Cover plates
BPZ-FP-NZM3X-3/3-1000-MV	3x NZM3 / 3x NZM3	920	499	2x NZM3 Cover plates
BPZ-FP-NZM3X-3/3-1200-MV	3x NZM3 / 3x NZM3	1120	499	2x NZM3 Cover plates



Mounting Plate for NZM symmetrical, BPZ-MPL-NZM...-MX

- For mounting one NZM in horizontal position or several NZMs in vertical position
- Connecting the NZM circuit breakers can be done from the rear (cut-outs are prepared)
- Suitable for wall-mounted or floor-standing enclosures with Profi+ mounting frame
- Material: Sheet steel (2 mm), galvanized
- Scope of delivery: 1 Mounting plate, mounting accessories

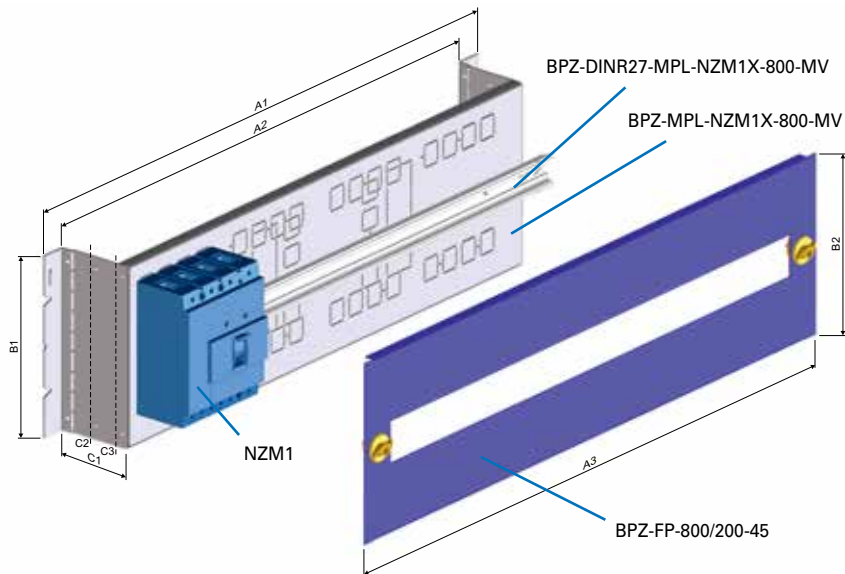
Dimensions (mm)

Type	Max. number of 3-/4-pole NZMs	A1	A2	B1	C1
BPZ-MPL-NZM1X-600-MX	3x NZM1 / 3x NZM1	492	432	199	87
BPZ-MPL-NZM1X-800-MX	4x NZM1 / 4x NZM1	692	632	199	87
BPZ-MPL-NZM2X-600-MX	2x NZM2 / 2x NZM2	492	432	199	52
BPZ-MPL-NZM2X-800-MX	3x NZM2 / 3x NZM3	692	632	199	52
BPZ-MPL-NZM3-600-MX	1x NZM3 / 1x NZM3	492	432	299	34
BPZ-MPL-NZM3-800-MX	1x NZM3 / 1x NZM3	692	632	299	34

DIN Rail for Mounting Plate NZM1 symmetrical, BPZ-DINR

- For mounting installation devices next to 1x NZM1 (vertical) on the same level
- For mounting plate 600 mm: 1x BPZ-DINR17-MPL-NZM1X-600-MV
- For mounting plate 800 mm: 1x BPZ-DINR27-MPL-NZM1X-800-MV
- Material: Aluminium
- Scope of delivery: 1 DIN rail, mounting accessories

Example of application



Fixing Set for max. Installation Depth of the NZM symmetrical Mounting Plate, BPZ-KIT-MPL-NZMX-XDV/XMV/XR-XVTL

- For mounting an NZM circuit breaker with rotary handle (NZM.-XDV), with mechanical lock (NZM.-XMV) or remote operation (NZM.-XR...)
- Depending on the application, the fixing straps and/or the mounting plate need to be shortened accordingly
- Due to the installation depth, the set in combination with the mounting plate can only be used in xE Light distribution boards
- Material: Sheet steel (2 mm), galvanized
- Scope of delivery: 4 Fixing straps, mounting accessories

Examples of application for the fixing set BPZ-KIT-MPL-NZMX-XDV/XMV/XR-XVTL

Application	Type of mounting plate (Width = 800 mm)	Fixing set required?	Notes
NZM1 with standard toggle	BPZ-MPL-NZM1X-800-MX	NO	Mounting plate in standard depth (C1)
NZM1 with rotary handle on circuit breaker (XDV)	BPZ-MPL-NZM1X-800-MX	NO	Fix mounting plate in C2 position
NZM1 with mechanical lock (XMV)	BPZ-MPL-NZM1X-800-MX	NO	Fix mounting plate in C3 position
NZM2 with standard toggle	BPZ-MPL-NZM2X-800-MX	NO	Mounting plate in standard depth (C1)
NZM2 with rotary handle on circuit breaker (XDV)	BPZ-MPL-NZM2X-800-MX	NO	Fix mounting plate in C3 position
NZM2 with mechanical lock (XMV)	BPZ-MPL-NZM2X-800-MX	Yes	Setup acc. to assembly instructions
NZM2 with remote operation (XR)	BPZ-MPL-NZM2X-800-MX	Yes	Setup acc. to assembly instructions
NZM3 with standard toggle	BPZ-MPL-NZM3-800-MX	NO	Mounting plate in standard depth (C1)
NZM3 with rotary handle on circuit breaker (XDV)	BPZ-MPL-NZM3-800-MX	Yes	Setup acc. to assembly instructions
NZM3 with mechanical lock (XMV)	BPZ-MPL-NZM3-800-MX	Yes	Setup acc. to assembly instructions
NZM3 with remote operation (XR)	BPZ-MPL-NZM3-800-MX	Yes	Setup acc. to assembly instructions
NZM4 with standard toggle	BPZ-MPL-NZM4-800-MX-XVTL	NO	Mounting plate in standard depth (C1)
NZM4 with rotary handle on circuit breaker (XDV)	BPZ-MPL-NZM4-800-MX-XVTL	Yes	Setup acc. to assembly instructions
NZM4 with remote operation (XR)	BPZ-MPL-NZM4-800-MX-XVTL	NO	Order 2x XBBB085-1 + 2x XSFS06-1

Front Plate NZM symmetrical, BPZ-FP/S

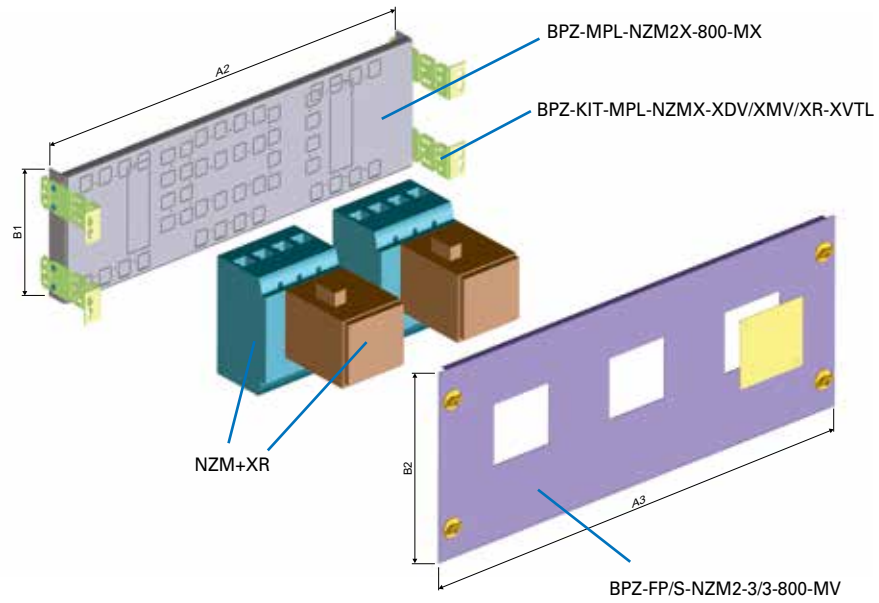
- To cover the areas occupied by circuit breakers
- Metal front plates making contact with the enclosure
- Material: Sheet steel, powder-coated, RAL 7035
- Scope of delivery: 1 Front plate (with empty-space cover where applicable)

Dimensions (mm)

Application	Max. number of 4-pole NZMs	A3	B2	Number of empty-space cover plates
BPZ-FP/S-NZM1X-3/3-600-MV	3x NZM1 (vertical)	520	199	2x NZM1 Cover plate
BPZ-FP/S-NZM1X-3/3-600-MV	1x NZM1+XF1 (vertical)	520	199	2x NZM1 Cover plate
BPZ-FP/S-NZM1-600-MH	1x NZM1 (horizontal)	520	199	-
BPZ-FP/S-NZM1X-4/4-800-MV	4x NZM1 (vertical)	720	199	3x NZM1 Cover plate
BPZ-FP/S-NZM1X-4/4-800-MV	2x NZM1+XF1 (vertical)	720	199	3x NZM1 Cover plate
BPZ-FP/S-NZM1-800-MH	1x NZM1 (horizontal)	720	199	-
BPZ-FP/S-NZM2-600-MV	1x NZM2 (vertical)	520	299	-
BPZ-FP/S-NZM2X-2/2-600-MV	2x NZM2 (vertical)	520	299	1x NZM2 Cover plate
BPZ-FP/S-NZM2-XF1-600-MV	1x NZM2+XF1 (vertical)	520	399	-
BPZ-FP/S-NZM2-600-MH	1x NZM2 (horizontal)	520	199	-
BPZ-FP/S-NZM2-XF1-600-MH	1x NZM2+XF1 (horizontal)	520	199	-
BPZ-FP/S-NZM2-800-MV	1x NZM2 (vertical)	720	299	-
BPZ-FP/S-NZM2X-3/3-800-MV	3x NZM2 (vertical)	720	299	2x NZM2 Cover plate
BPZ-FP/S-NZM2-XF1-800-MV	1x NZM2+XF1 (vertical)	720	399	-
BPZ-FP/S-NZM2-800-MH	1x NZM2 (horizontal)	720	199	-
BPZ-FP/S-NZM2-XF1-800-MH	1x NZM2+XF1 (horizontal)	720	199	-
BPZ-FP/S-NZM3-600-MV	1x NZM3 (vertical)	520	399	-
BPZ-FP/S-NZM3-XDV-600-MV	1x NZM3+XDV (vertical)	520	399	-
BPZ-FP/S-NZM3-600-MH	1x NZM3 (horizontal)	520	399	-
BPZ-FP/S-NZM3-XDV-600-MH	1x NZM3+XDV (horizontal)	520	399	-
BPZ-FP/S-NZM3-800-MV	1x NZM3 (vertical)	720	399	-
BPZ-FP/S-NZM3-XDV-800-MV	1x NZM3+XDV (vertical)	720	399	-
BPZ-FP/S-NZM3-800-MH	1x NZM3 (horizontal)	720	399	-
BPZ-FP/S-NZM3-XDV-800-MH	1x NZM3+XDV (horizontal)	720	399	-

Front plate NZM symmetrisch, BPZ-FP/S

Example of application



6.2

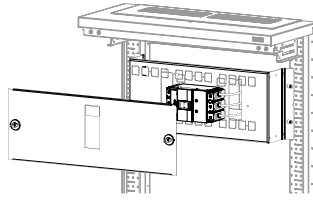
xEnergy Distribution Boards

Mounting kits for Moulded Case Circuit Breaker

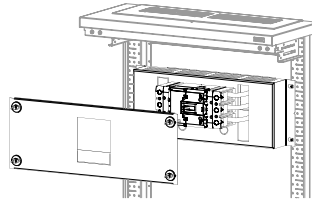
vt11519, vt11619



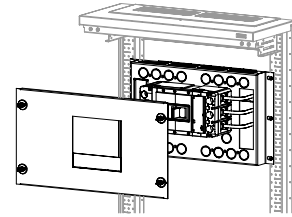
CAT0000102



CAT0000103



CAT0000104

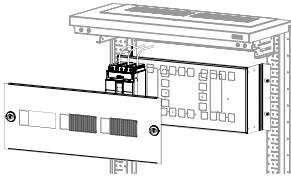


Width [mm]	Installation back frame PDE1 single Toggle operation Rear connection (except PDE1 width 400 mm) RAL 7035 grey	PDE2 single	PDE3 single
	Article No. per unit unit = 1 pc.	Article No. per unit unit = 1 pc.	Article No. per unit unit = 1 pc.

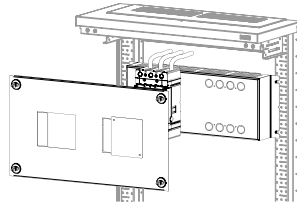
Mounting kits for Moulded Case Circuit Breaker, Power Defense 3-/4-pole, frame size 1-3 (horizontal configuration)

400	BPZ-PD1-400-MH 195794	BPZ-PD2-400-MH 195804	-
600	BPZ-PD1-600-MH 195795	BPZ-PD2-600-MH 195805	BPZ-PD3-600-MH 195810
800	BPZ-PD1-800-MH 195796	BPZ-PD2-800-MH 195806	BPZ-PD3-800-MH 195811
1000	-	-	-

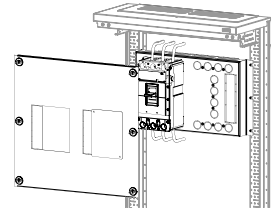
CAT0000105



CAT0000106



CAT0000107



Installation back frame
PDE1 multiple
Toggle operation
Rear or top/bottom connection
RAL 7035 grey

Mounting side wall (MSW)

Installation back frame
PDE2 multiple (except width 400 mm)

Mounting side wall (MSW)

Installation back frame
PDE3 multiple
(except width 400 mm)

Article No.
per unit
unit = 1 pc.

Article No.
per unit
unit = 1 pc.

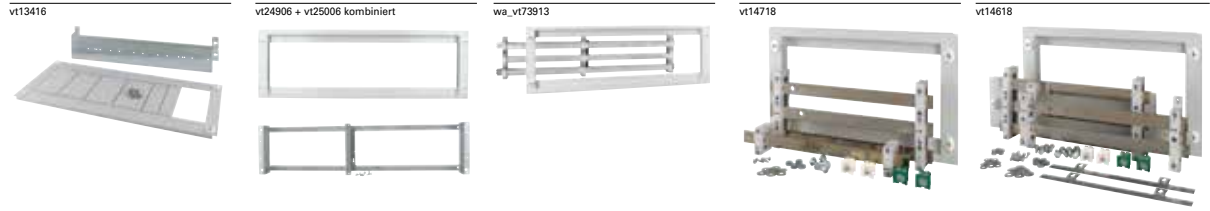
Article No.
per unit
unit = 1 pc.

Article No.
per unit
unit = 1 pc.

Article No.
per unit
unit = 1 pc.

Mounting kits for Moulded Case Circuit Breaker, Power Defense 3-/4-pole, frame size 1-3 (vertical configuration)

BPZ-PD1X-2/2-400-MV 195787 (up to 2x PDE1)	BPZ-PD1X/MSW-2/2-400-MV 195791 (up to 2x PDE1)	BPZ-PD2-400-MV 195797	BPZ-PD2/MSW-400-MV 195801	BPZ-PD3-400-MV 195807
BPZ-PD1X-3/3-600-MV 195788 (up to 3x PDE1)	BPZ-PD1X/MSW-3/3-600-MV 195792 (up to 3x PDE1)	BPZ-PD2X-2/2-600-MV 195798 (up to 2x PDE2)	BPZ-PD2X/MSW-2/2-600-MV 195802 (up to 2x PDE2)	BPZ-PD3X-2/2-600-MV 195808 (up to 2x PDE3)
BPZ-PD1X-4/4-800-MV 195789 (up to 4x PDE1)	BPZ-PD1X/MSW-4/4-800-MV 195793 (up to 4x PDE1)	BPZ-PD2X-3/3-800-MV 195799 (up to 3x PDE2)	BPZ-PD2X/MSW-3/3-800-MV 195803 (up to 3x PDE2)	BPZ-PD3X-3/3-800-MV 195809 (up to 3x PDE3)
BPZ-PD1X-5/5-1000-MV 195790 (up to 5x PDE1)	-	BPZ-PD2X-4/4-1000-MV 195800 (up to 4x PDE2)	-	-



Width [mm]	Installation back frame XNH00 or mounting fuse sockets multiple	Mounting side wall (MSW) XNH00 or mounting fuse sockets multiple			
	Panel mounting incl. prepared mounting plate RAL 7035 grey [RAL 9016 white]	3-pole busbar mounting (SASY60i) without busbar system RAL 7035 grey	3-pole busbar mounting (SASY60i) incl. 3-pole busbar system RAL 7035 grey	incl. 3P+N busbar system (4-pole)	incl. 3P+N/PE busbar system (5-pole)
	Article No. per unit unit = 1 pc.	Article No. per unit unit = 1 pc.	Article No. per unit unit = 1 pc.	Article No. per unit unit = 1 pc.	Article No. per unit unit = 1 pc.

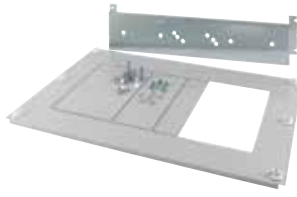
Mounting kits for Fuse Switch Disconnectors, frame size 00, XNH00 and mounting fuse

400	BPZ-XNH00X-2/1-400-MV 184548 [BPZ-XNH00X-2/1-400-MV-W] [184559] (up to 2xXNH00-3p / 1xXNH00-4p)	BPZ-BR/SASY/H-400 108378 (up to 2xXNH00-3p)	BPZ-BR/SASY/MSW/H-3/400 120704 (up to 2xXNH00-3p)	BPZ-BR/SASY/MSW/H-4/400 120709 (up to 2xXNH00-3p)	BPZ-BR/SASY/MSW/H-5/400 120714 (up to 2xXNH00-3p)
600	BPZ-XNH00X-4/1-600-MV 184549 [BPZ-XNH00X-4/1-600-MV-W] [184560] (up to 4xXNH00-3p / 1xXNH00-4p)	BPZ-BR/SASY/H-600 108379 (up to 4xXNH00-3p)	BPZ-BR/SASY/MSW/H-3/600 120705 (up to 4xXNH00-3p)	BPZ-BR/SASY/MSW/H-4/600 120710 (up to 4xXNH00-3p)	BPZ-BR/SASY/MSW/H-5/600 120715 (up to 4xXNH00-3p)
800	BPZ-XNH00X-6/1-800-MV 184550 BPZ-XNH00X-6/1-800-MV-W 184561 (up to 6xXNH00-3p / 1xXNH00-4p)	BPZ-BR/SASY/H-800 108380 (up to 5xXNH00-3p)	BPZ-BR/SASY/MSW/H-3/800 120706 (up to 5xXNH00-3p)	BPZ-BR/SASY/MSW/H-4/800 120711 (up to 5xXNH00-3p)	BPZ-BR/SASY/MSW/H-5/800 120716 (up to 5xXNH00-3p)
1000	-	BPZ-BR/SASY/H-1000 108381 (up to 6xXNH00-3p)	BPZ-BR/SASY/MSW/H-3/1000 120707 (up to 6xXNH00-3p)	BPZ-BR/SASY/MSW/H-4/1000 120712 (up to 6xXNH00-3p)	BPZ-BR/SASY/MSW/H-5/1000 120717 (up to 6xXNH00-3p)
1200	-	BPZ-BR/SASY/H-1200 108382 (up to 8xXNH00-3p)	BPZ-BR/SASY/MSW/H-3/1200 120708 (up to 8xXNH00-3p)	BPZ-BR/SASY/MSW/H-4/1200 120713 (up to 8xXNH00-3p)	BPZ-BR/SASY/MSW/H-5/1200 120718 (up to 8xXNH00-3p)

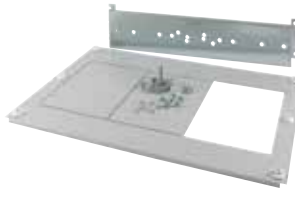
wa_vt04316



vt13216



vt13116



vt13316



Installation back frame XNH1/2/3 - individual assembly	Installation back frame		
3-pole busbar mounting (SASY60i) without busbar system RAL 7035 grey	XNH1 single or multiple Panel mounting incl. prepared mounting plate RAL 7035 grey [RAL 9016 white]	XNH2 single or multiple	XNH3 single or multiple
Article No. per unit unit = 1 pc.	Article No. per unit unit = 1 pc.	Article No. per unit unit = 1 pc.	Article No. per unit unit = 1 pc.

Mounting kits for Fuse Switch Disconnectors, frame size 1/2/3, XNH1/2/3

BPZ-FP-XNH1/2/SASY-400-MV 184522 (up to 1xXNH1 / 1xXNH2)	BPZ-XNH1-1/0-400-MV 184551 [BPZ-XNH1-1/0-400-MV-W] [184562] (up to 1xXNH1-3p)	BPZ-XNH2-1/X-400-MV 184554 [BPZ-XNH2-1/X-400-MV-W] [184565] (up to 1xXNH2-3p)	
BPZ-FP-XNH1/2/3/SASY-600-MV 184523 (up to 2xXNH1 / 2xXNH2 / 1xXNH3)	BPZ-XNH1X-2/1-600-MV 184552 [BPZ-XNH1X-2/1-600-MV-W] [184563] (up to 2xXNH1-3p / 1xXNH1-4p)	BPZ-XNH2X-2/X-600-MV 184555 [BPZ-XNH2X-2/X-600-MV-W] [184566] (up to 2xXNH2-3p)	BPZ-XNH3-1/0-600-MV 184557 [BPZ-XNH3-1/0-600-MV-W] [184520] (up to 1xXNH3-3p)
BPZ-FP-XNH1/2/3/SASY-800-MV 184524 (up to 3xXNH1 / 3xXNH2 / 2xXNH3)	BPZ-XNH1X-3/1-800-MV 184553 [BPZ-XNH1X-3/1-800-MV-W] [184564] (up to 3xXNH1-3p / 1xXNH1-4p)	BPZ-XNH2X-3/X-800-MV 184556 [BPZ-XNH2X-3/X-800-MV-W] [184519] (up to 3xXNH2-3p)	BPZ-XNH3X-2/1-800-MV 184558 [BPZ-XNH3X-2/1-800-MV-W] [184521] (up to 2xXNH3-3p / 1xXNH3-4p)

Mounting Set for NH Fuse Disconnecter Switches XNH, BPZ-XNH

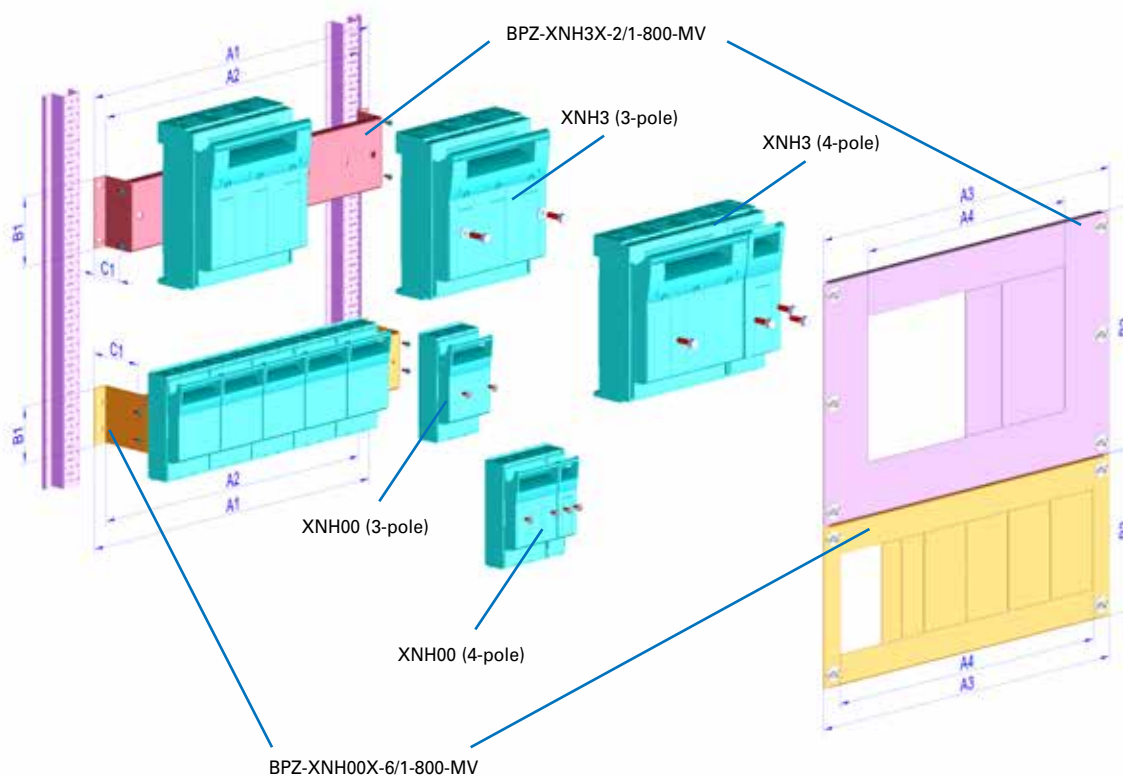
- Mounting set for fixing XNH fuse disconnecter switches on a mounting plate
- Sizes (rated operating current)
XNH00 (160 A), XNH1 (250 A), XNH2 (400 A), XNH3 (630 A)
- Front panel is prepared for mounting a 3-pole device, additional perforations for multiple mounting are prepared and can be knocked out according to your requirements by means of a suitable tool
- Finger-safe finish is guaranteed even without using an additional empty-space cover
- Suitable for both wall-mounted and floor-standing cabinets with Profi+ mounting frame (no set-up on MSW mounting-side-panel possible)
- Material
Mounting plate: Steel sheet (2 mm), galvanized
Front panel: Steel sheet, powder-coated, RAL 7035 or RAL 9016
- Scope of delivery: 1 Mounting plate, 1 front panel, fixing material

Dimensions (mm)

Type	Max. number of 3-/4-pole XNH	A1	A2	A3	A4	B1	B2	C1
BPZ-XNH00X-2/1-400-MV(-W)	2x XNH00 / 1x XNH00 *)	292	236	320	212	105	299	110
BPZ-XNH00X-4/1-600-MV(-W)	4x XNH00 / 1x XNH00 *)	492	436	520	425	105	299	110
BPZ-XNH00X-6/1-800-MV(-W)	6x XNH00 / 1x XNH00 *)	692	636	720	638	105	299	110
BPZ-XNH1-1/0-400-MV(-W)	1x XNH1 / —	292	236	320	180	130	449	85
BPZ-XNH1X-2/1-600-MV(-W)	2x XNH1 / 1x XNH1 *)	492	436	520	365	130	449	85
BPZ-XNH1X-3/1-800-MV(-W)	3x XNH1 / 1x XNH1 *)	692	636	720	550	130	449	85
BPZ-XNH2-1/X-400-MV(-W)	1x XNH2 / —	292	236	320	206	130	449	65
BPZ-XNH2X-2/X-600-MV(-W)	2x XNH2 / —	492	436	520	417	130	449	65
BPZ-XNH2X-3/X-800-MV(-W)	3x XNH2 / —	692	636	720	628	130	449	65
BPZ-XNH3-1/0-600-MV(-W)	1x XNH3 / —	492	436	520	246	130	449	65
BPZ-XNH3X-2/1-800-MV(-W)	2x XNH3 / 1x XNH3 *)	692	636	720	497	130	449	65

*) Where necessary, it is possible to install several 4-pole devices, but the cut-out will then need to be adjusted accordingly.

Example of application



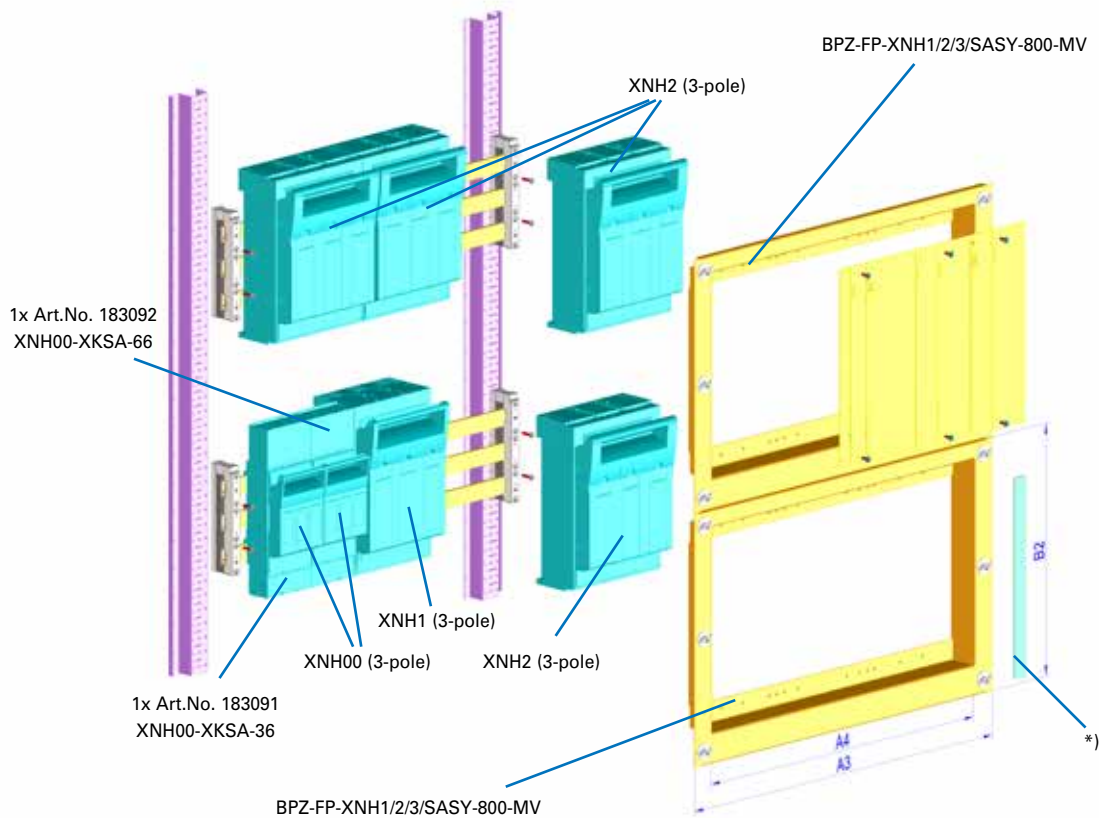
Front Panel for NH Fuse Disconnecter Switches XNH when installed on a busbar of 60 mm (SASY 60i) at the base frame

- When XNH devices are used for a 60 mm busbar system
- Sizes (rated operating current)
XNH1 (250 A), XNH2 (400 A), XNH3 (630 A)
XNH00 (160 A) – when using a cover for the connection area
XNH00-XKSA-36 (at the bottom) or XNH00-XKSA-66 (at the top)
- The busbar system (SASY 60i) can directly be fixed at the base frame without using any mounting brackets
- If devices of the same size (except XNH00) are installed, the empty-space cover included in the delivery complies with all requirements. It only needs to be adjusted to the number available.
- The front panel adjusts itself to the required level of the devices. It is also possible to install devices of different sizes next to each other (in this case it is not possible to use the empty-space cover).
- Suitable for wall-mounted and floor-standing cabinets with a Profi+ mounting frame
- Material: Sheet steel, powder-coated, RAL 7035
- Scope of delivery: 1 Front panel, 1 empty-space cover

Dimensions (mm)

Type	Max. number of 3-pole XNH (same size)	Max. number of 3-pole XNH00 with cover for connection area	A3	A4	B2
BPZ-FP-XNH1/2/SASY-400-MV	1x XNH1 / 1x XNH2	2x XNH00	320	234	449
BPZ-FP-XNH1/2/3/SASY-600-MV	2x XNH1 / 2x XNH2 / 1x XNH3	4x XNH00	520	434	449
BPZ-FP-XNH1/2/3/SASY-800-MV	3x XNH1 / 3x XNH2 / 2x XNH3	5x XNH00	720	634	449

Example of application



*) Individual cover strip made of insulation material to be used when installing devices of different size (depending on the requirements - to be prepared by the customer)

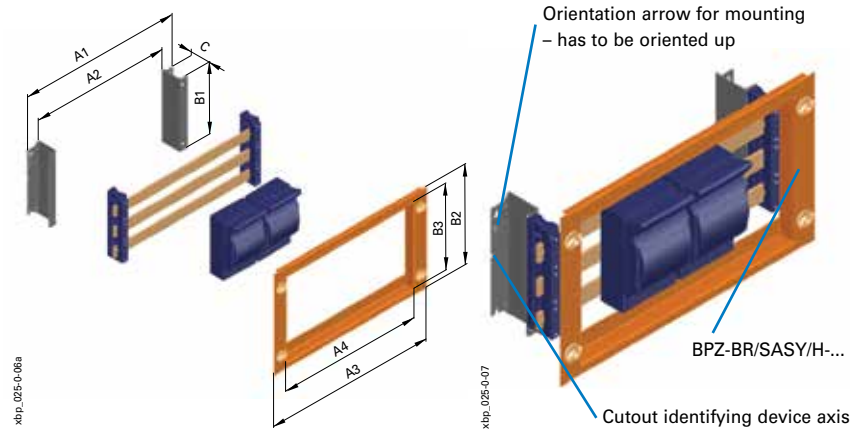
Mounting sets for 3-pole IEC busbar support 630A SASY60i, BPZ-BR/SASY/H...

- Mounting sets for fixing the busbar supports BBS-3/FL
- Material
Front plate: Sheet steel, powder-coated, RAL 7035
Mounting angles: Sheet steel (2 mm), zinc-coated
- For surface mounted or floor-standing distribution boards
- Scope of delivery:
Width 400 to 800 mm: 2 fixing angles, 1 front plate, fixing material
Width 1000 to 1200 mm: 3 fixing angles, 2 profiles, 1 front plate, fixing material

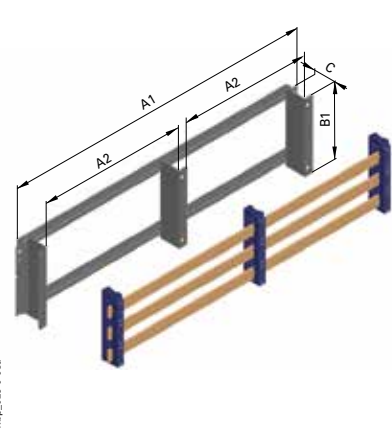
Dimensions (mm)

Type	Mounting angles				Front plate				Max. number of 3-pole XNH00 without connection section cover
	Outside dimensions				Inside dimensions				
	Width		Height		Width		Height		
	A1	B1	A2	C	A3	B2	A4	B3	
BPZ-BR/SASY/H-400	296	215	222	63	320	300	234	194	2x XNH00
BPZ-BR/SASY/H-600	496	215	422	63	520	300	434	194	4x XNH00
BPZ-BR/SASY/H-800	696	215	622	63	720	300	634	194	5x XNH00
BPZ-BR/SASY/H-1000	896	215	398	63	920	300	834	194	6x XNH00
BPZ-BR/SASY/H-1200	1096	215	498	63	1120	300	1034	194	8x XNH00

VFor board widths 400, 600, 800 mm



For board widths 1000 and 1200 mm



Mounting plates with pre-drilled holes for mounting busbar holders SASY 60i BPZ-MPLSASY

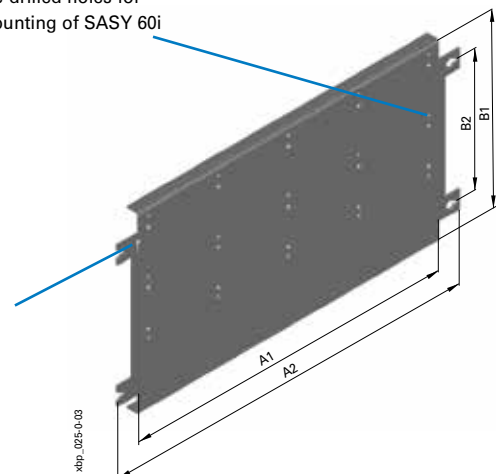
- For mounting of holders of SASY 60i system
- Material: Sheet steel (2 mm), zinc-coated
- Scope of delivery: 1 mounting plate, fixing material

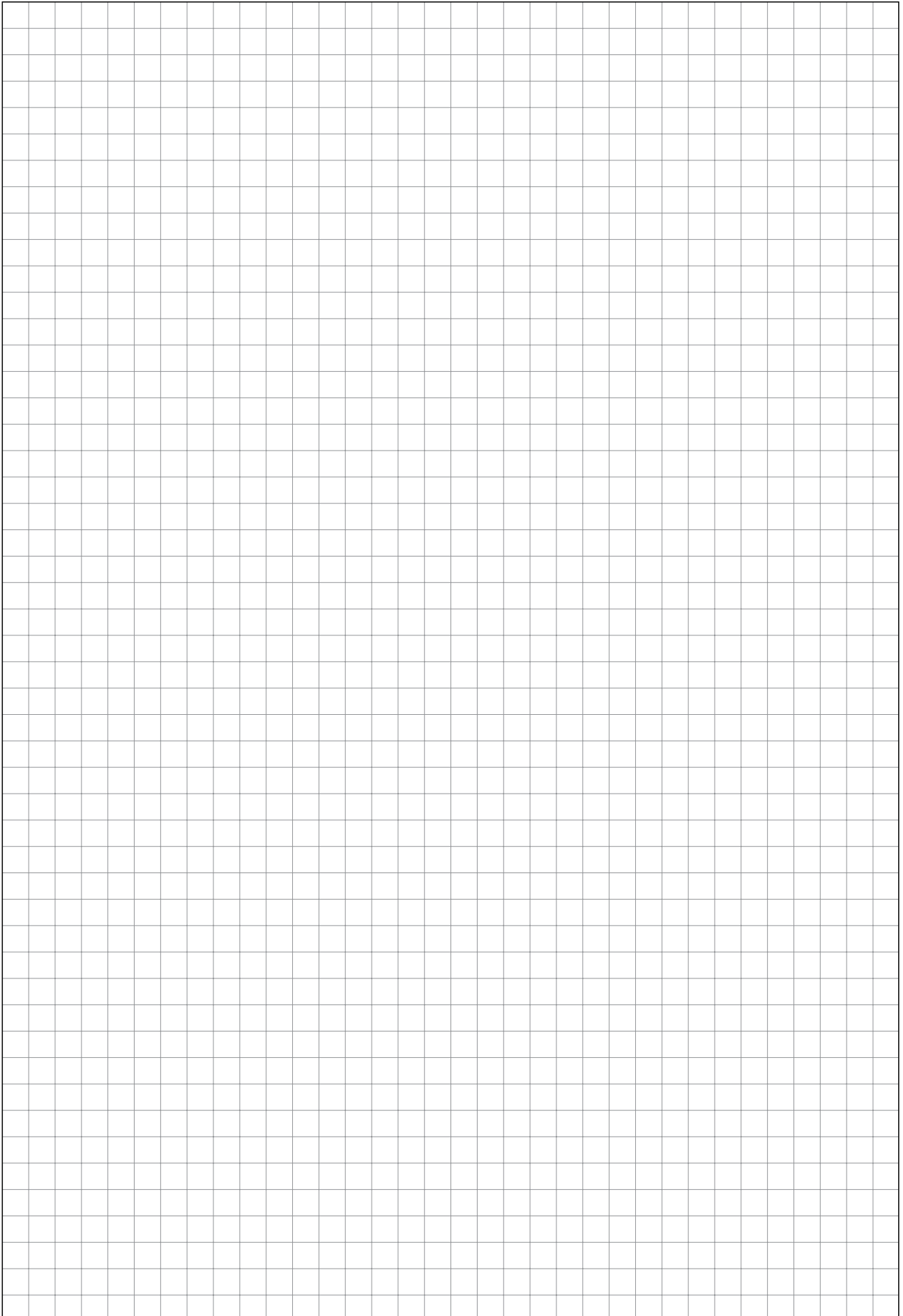
Dimensions (mm)

Type	Width		Height		Number of BEL elements on the side
	A1	A2	B1	B2	
BPZ-MPLSASY-600	488	428	250	175	2
BPZ-MPLSASY-800	688	648	250	175	2
BPZ-MPLSASY-1000	888	846	250	175	2
BPZ-MPLSASY-1200	1088	1046	250	175	2

Pre-drilled holes for mounting of SASY 60i

Orientation arrow for mounting - has to be oriented up





6.4

xEnergy Distribution Boards

Mounting kits for BZM, Dumeco and QSA

wa_vt11314, wa_vt11414



v456715



v456615



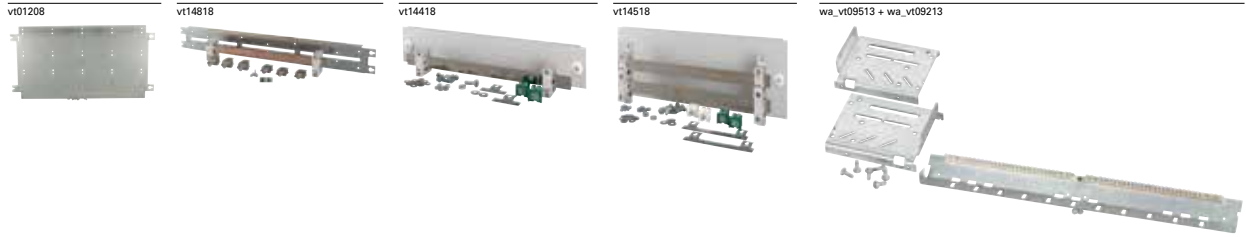
Width [mm]	Installation back frame BZM1/2 single or multiple (up to 400 A)	Installation back frame Dumeco 160 - 400 A single	Installation back frame Dumeco 630 - 1000 A *)	Installation back frame QSA 63 - 160 A single	Installation back frame QSA 160 - 800 A single *)
	Panel mounting incl. prepared mounting plate RAL 7035 grey [RAL 9016 white]	Panel mounting incl. prepared mounting plate + option for BPZ-BBS-4/250 RAL 7035 grey [RAL 9016 white]	Panel mounting incl. prepared mounting plate, min. enclosure depth of 300 mm (BP-F / BPM-F) RAL 7035 grey [RAL 9016 white]	Panel mounting incl. prepared mounting plate + option for BPZ-BBS-4/250 RAL 7035 grey [RAL 9016 white]	Panel mounting incl. prepared mounting plate, min. enclosure depth of 400 mm (BPM-F) RAL 7035 grey [frame size 3]
	Article No. per unit unit = 1 pc.	Article No. per unit unit = 1 pc.	Article No. per unit unit = 1 pc.	Article No. per unit unit = 1 pc.	Article No. per unit unit = 1 pc.

Mounting kits for BZM, Dumeco and QSA

400	BPZ-BZM1/2-400-MV 144222 [BPZ-BZM1/2-400-MV-W] [144227]	BPZ-DMV160/400-400-RH 182581 [BPZ-DMV160/400-400-RH-W] [182584]	BPZ-DMV630/1000-400-RH 302331 [BPZ-DMV630/1000-400-RH-W] [302339]	BPZ-QSA63/160-400-RH 182587 [BPZ-QSA63/160-400-RH-W] [182590]	-
600	BPZ-BZM1/2-600-MV 144223 [BPZ-BZM1/2-600-MV-W] [144228]	BPZ-DMV160/400-600-RH 182582 [BPZ-DMV160/400-600-RH-W] [182585]	BPZ-DMV630/1000-600-RH 302332 [BPZ-DMV630/1000-600-RH-W] [302340]	BPZ-QSA63/160-600-RH 182588 [BPZ-QSA63/160-600-RH-W] [182591]	BPZ-QSA160/400-600-RH 188230 BPZ-QSA160/400-600-MH-RH 188232 [BPZ-QSA400/800-600-RH] [188234] [BPZ-QSA400/800-600-MH-RH] [188236]
800	BPZ-BZM1/2-800-MV 144224 [BPZ-BZM1/2-800-MV-W] [144229]	BPZ-DMV160/400-800-RH 182583 [BPZ-DMV160/400-800-RH-W] [182586]	BPZ-DMV630/1000-800-RH 302336 [BPZ-DMV630/1000-800-RH-W] [302341]	BPZ-QSA63/160-800-RH 182589 [BPZ-QSA63/160-800-RH-W] [182592]	BPZ-QSA160/400-800-RH 188231 BPZ-QSA160/400-800-MH-RH 188233 [BPZ-QSA400/800-800-RH] [188235] [BPZ-QSA400/800-800-MH-RH] [188237]
1000	BPZ-BZM1/2-1000-MV 144225 [BPZ-BZM1/2-1000-MV-W] [144230]	-	-	-	-
1200	BPZ-BZM1/2-1200-MV 144226 [BPZ-BZM1/2-1200-MV-W] [144231]	-	-	-	-

*) Attention: The rated current of the main incomer must not exceed the nominal rating of the switchgear assembly!

Mounting kits for Earthing and Neutral conductors



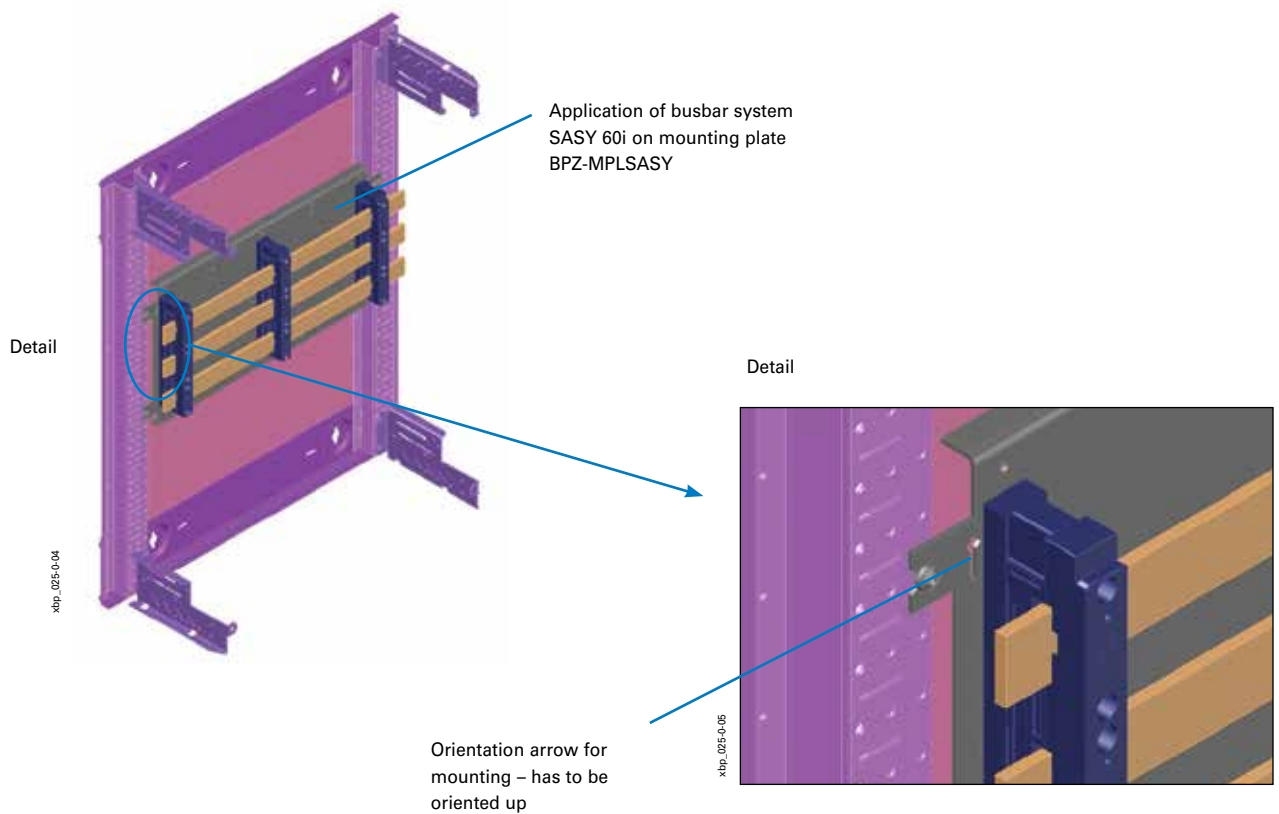
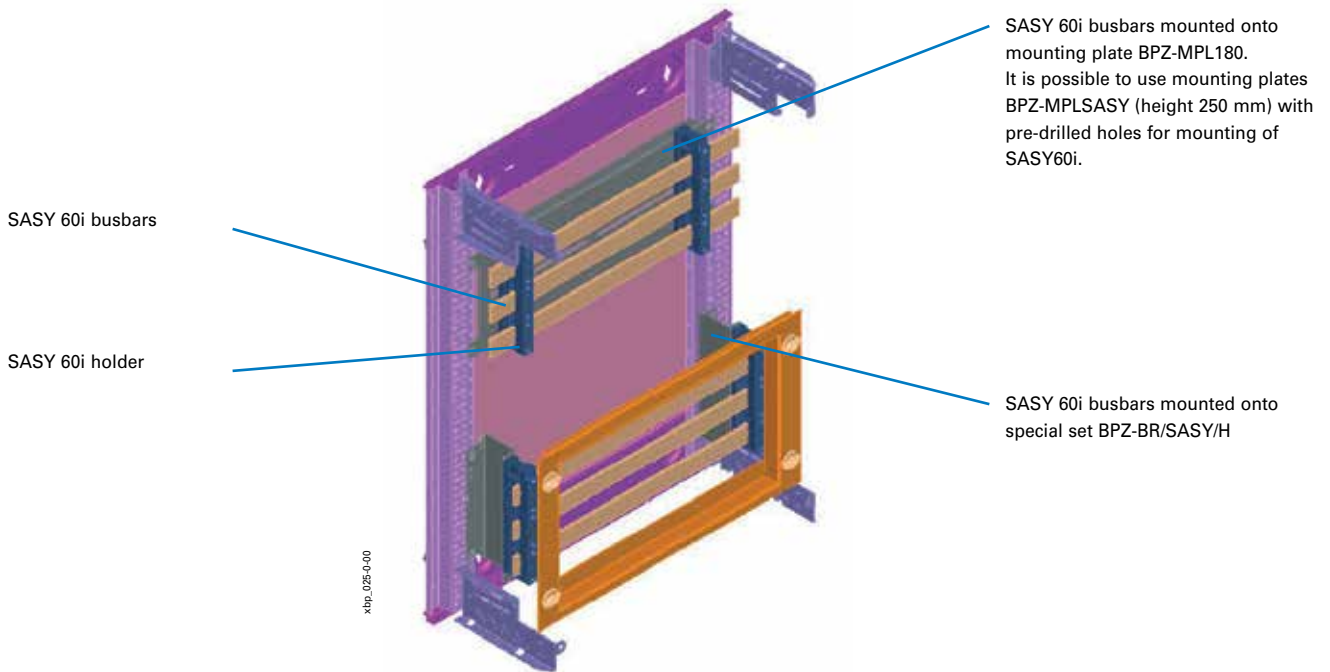
Width [mm]	Installation back frame Panel mounting	Installation back frame Panel mounting	Mounting side wall (MSW) Fixing brackets + support rails	Installation back frame	Corner tower set (short) / terminal support bar Intended for use with screw-type terminals KL and plug-type terminals KSK	
	3-/4-pole busbar mounting (SASY60i) without busbar system	1-pole busbar mounting (SASY60i) incl. 1-pole busbar system (20x5 mm) and universal conductor terminals AKU up to 70 mm ² terminal cross-section	1-pole busbar mounting (SASY60i) incl. 1-pole busbar system (30x5 mm) RAL 7035 grey	2-pole busbar mounting (SASY60i) incl. 2-pole busbar system (30x5 mm)	No need to order BPZ-CTS-S for BP-O-... assemblies (flat-pack) Terminal support bar (empty)	equipped with screw-type terminals up to 35mm ² terminal cross-section
	Article No. per unit unit = 1 pc.	Article No. per unit unit = 1 pc.	Article No. per unit unit = 1 pc.	Article No. per unit unit = 1 pc.		

Mounting kits for Earthing and Neutral conductors

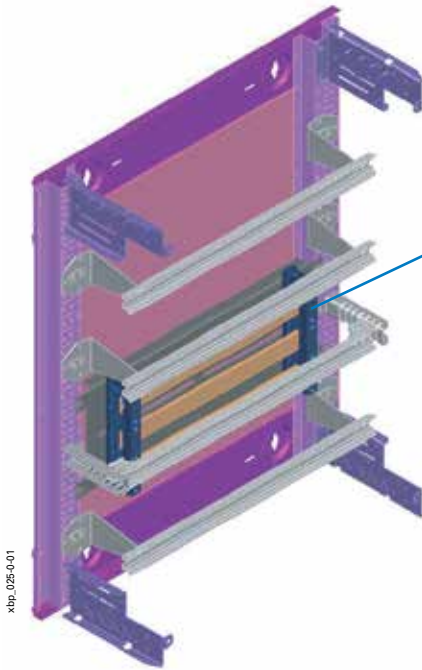
400	-	BPZ-GND-400 187867	BPZ-BR/SASY/MSW/H-1/400 152837	BPZ-BR/SASY/MSW/H-2/400 120699	BPZ-CTS-S 106445 BPZ-TSB-400 106447	BPZ-CTS-S 106445 BPZ-TSB-400/1KL29 187872
600	BPZ-MPLSASY-600 114830	BPZ-GND-600 187868	BPZ-BR/SASY/MSW/H-1/600 152838	BPZ-BR/SASY/MSW/H-2/600 120700	BPZ-CTS-S 106445 BPZ-TSB-600 106448	BPZ-CTS-S 106445 BPZ-TSB-600/2KL29 187873
800	BPZ-MPLSASY-800 114831	BPZ-GND-800 187869	BPZ-BR/SASY/MSW/H-1/800 152839	BPZ-BR/SASY/MSW/H-2/800 120701	BPZ-CTS-S 106445 BPZ-TSB-800 106449	BPZ-CTS-S 106445 BPZ-TSB-800/2KL45 187874
1000	BPZ-MPLSASY-1000 114832	BPZ-GND-1000 187870	BPZ-BR/SASY/MSW/H-1/1000 153020	BPZ-BR/SASY/MSW/H-2/1000 120702	BPZ-CTS-S 106445 BPZ-TSB-1000 106450	BPZ-CTS-S 106445 BPZ-TSB-1000/2KL60 187875
1200	BPZ-MPLSASY-1200 114833	BPZ-GND-1200 187871	BPZ-BR/SASY/MSW/H-1/1200 153021	BPZ-BR/SASY/MSW/H-2/1200 120703	BPZ-CTS-S 106445 BPZ-TSB-1200 106451	BPZ-CTS-S 106445 BPZ-TSB-1200/3KL45 187876

Example of mounting of busbar system SASY 60i

- The busbars are fed via circuit breaker NZM
- The busbars serve as a connection point for particular devices



Example of mounting of busbar system SASY 60i

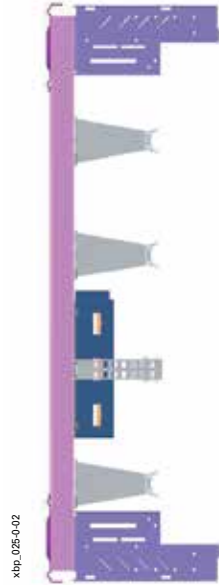


xhp_025-0-01

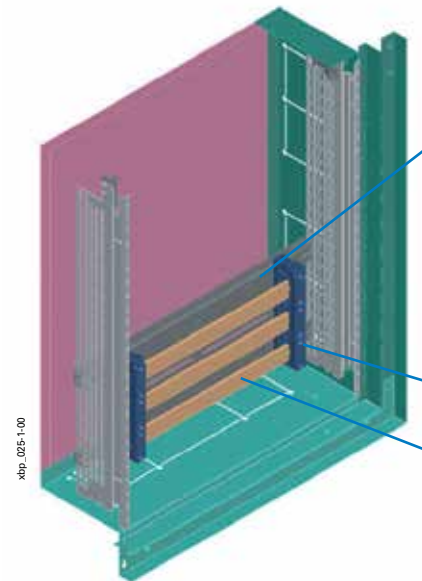
BPZ-MPL180...
SASY 60i busbars mounted onto mounting plate.
It is possible to use mounting plates BPZ-MPLSASY (height 250 mm) with pre-drilled holes for mounting of SASY60i.

The busbars can be placed under the device rails – save of space in the board.

For fastening of the device rail over the busbars the towers BPZ-TA have to be used (set BPZ-DINR...-T).



xhp_025-0-02



xhp_025-1-00

BPZ-MPL180... + BEL...
SASY 60i busbars mounted onto mounting plate – can be used for branching of L/N/PE conductors.

It is possible to use mounting plates BPZ-MPLSASY (height 250 mm) with pre-drilled holes for mounting of SASY60i.

Recommended mounting depth (5) – suitable for branching of L/N/PE as well as for direct mounting of devices onto the busbars.

Front plate with plastic insert can be use to cover – cutouts are done according to actual device position.

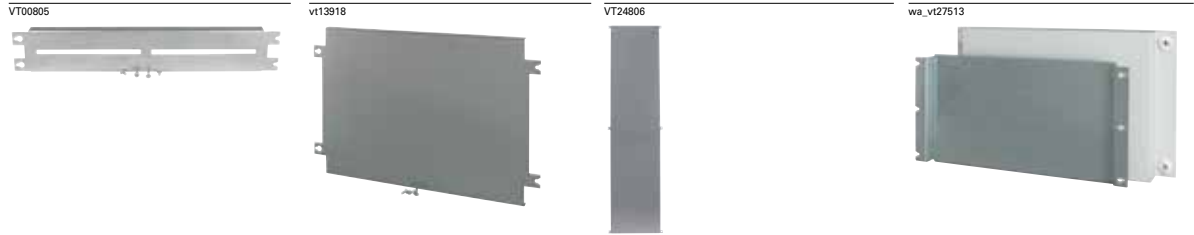
SASY 60i holder

SASY 60i busbars

6.6

xEnergy Distribution Boards

Mounting plates for universal fixing of different components

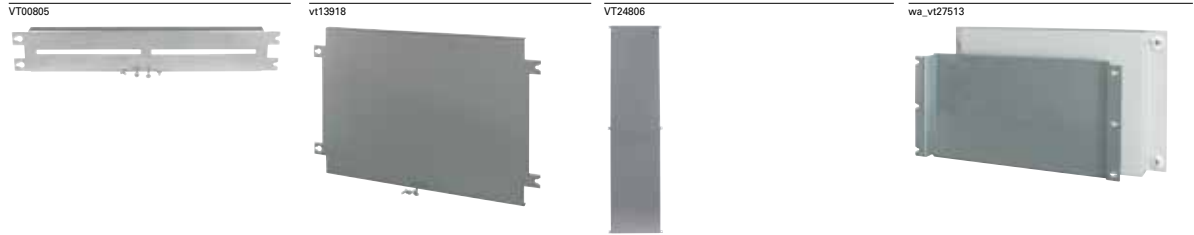


Width [mm]	Height int. [mm]	Installation back frame / Mounting side wall (MSW) Mounting plate (punched) with cut-out in the center to fix devices by using cage nuts Galvanized sheet-metal 2 mm	Installation back frame / Mounting side wall (MSW) Mounting plate (blind) without any cut-out Galvanized sheet-metal 2 mm	Installation back frame / Mounting side wall (MSW) Mounting plate (section-high) without any cut-out Galvanized sheet-metal 2 mm	Installation back frame / Mounting side wall (MSW) Mounting plate (max. depth) without any cut-out incl. Front plate (max. depth) Galvanized sheet-metal 2 mm RAL 7035 grey [RAL 9016 white]
		Article No. per unit unit = 1 pc.	Article No. per unit unit = 1 pc.	Article No. per unit unit = 1 pc.	Article No. per unit unit = 1 pc.

Mounting plates for universal fixing of different components, BPZ-MPL...

400	30	BPZ-MPL30-400 104316	-	-	-
	80	BPZ-MPL80-400 286765	-	-	-
	180	BPZ-MPL180-400 102472	-	-	-
	100	-	BPZ-MPL100-400 114799	-	-
	200	-	BPZ-MPL200-400 114805	-	-
	300	-	BPZ-MPL300-400 114811	-	BPZ-KIT-MPL-400 134210 [BPZ-KIT-MPL-400-W] [134215]
	400	-	BPZ-MPL400-400 114817	-	-
	500	-	BPZ-MPL500-400 114823	-	-
	350	-	-	BPZ-MPL350-400 108333	-
	650	-	-	BPZ-MPL650-400 108334	-
	950	-	-	BPZ-MPL950-400 108335	-
	1150	-	-	BPZ-MPL1150-400 108336	-
	1450	-	-	BPZ-MPL1450-400 108337	-
	1650	-	-	BPZ-MPL1650-400 108338	-
	1950	-	-	BPZ-MPL1950-400 108339	-

Mounting plates for universal fixing of different components



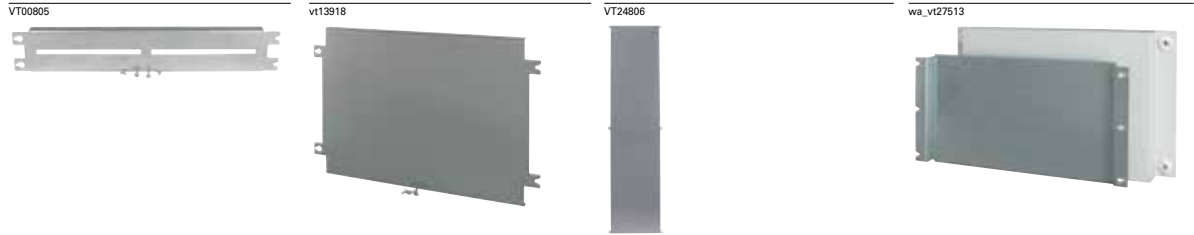
Width [mm]	Height int. [mm]	Installation back frame / Mounting side wall (MSW) Mounting plate (punched) with cut-out in the center to fix devices by using cage nuts Galvanized sheet-metal 2mm	Installation back frame / Mounting side wall (MSW) Mounting plate (blind) without any cut-out Galvanized sheet-metal 2mm	Installation back frame / Mounting side wall (MSW) Mounting plate (section-high) without any cut-out Galvanized sheet-metal 2mm	Installation back frame / Mounting side wall (MSW) Mounting plate (max. depth) without any cut-out incl. Front plate (max. depth) Galvanized sheet-metal 2mm RAL 7035 grey [RAL 9016 white]
		Article No. per unit unit = 1 pc.	Article No. per unit unit = 1 pc.	Article No. per unit unit = 1 pc.	Article No. per unit unit = 1 pc.

600	30	BPZ-MPL30-600 104317	-	-	-
	80	BPZ-MPL80-600 286766	-	-	-
	180	BPZ-MPL180-600 102473	-	-	-
	100	-	BPZ-MPL100-600 114801	-	-
	200	-	BPZ-MPL200-600 114807	-	-
	300	-	BPZ-MPL300-600 114813	-	BPZ-KIT-MPL-600 134211 [BPZ-KIT-MPL-600-W] [134216]
	400	-	BPZ-MPL400-600 114819	-	-
	500	-	BPZ-MPL500-600 114825	-	-
	350	-	-	BPZ-MPL350-600 108340	-
	650	-	-	BPZ-MPL650-600 108341	-
	950	-	-	BPZ-MPL950-600 108342	-
	1150	-	-	BPZ-MPL1150-600 108343	-
	1450	-	-	BPZ-MPL1450-600 108344	-
	1650	-	-	BPZ-MPL1650-600 108345	-
	1950	-	-	BPZ-MPL1950-600 108346	-

6.6

xEnergy Distribution Boards

Mounting plates for universal fixing of different components

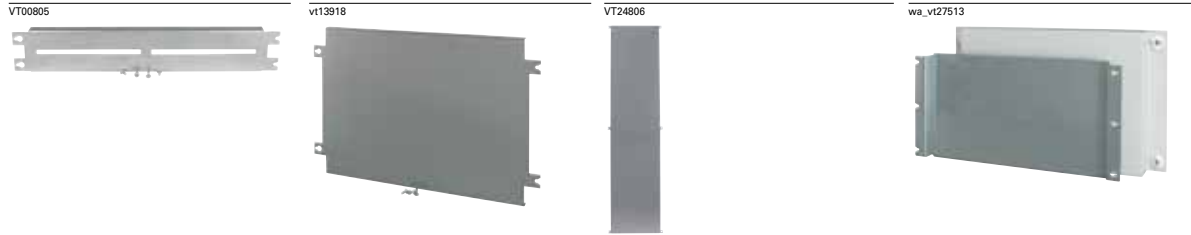


Width [mm]	Height int. [mm]	Installation back frame / Mounting side wall (MSW) Mounting plate (punched) with cut-out in the center to fix devices by using cage nuts Galvanized sheet-metal 2 mm	Installation back frame / Mounting side wall (MSW) Mounting plate (blind) without any cut-out Galvanized sheet-metal 2 mm	Installation back frame / Mounting side wall (MSW) Mounting plate (section-high) without any cut-out Galvanized sheet-metal 2 mm	Installation back frame / Mounting side wall (MSW) Mounting plate (max. depth) without any cut-out incl. Front plate (max. depth) Galvanized sheet-metal 2 mm RAL 7035 grey [RAL 9016 white]
		Article No. per unit unit = 1 pc.	Article No. per unit unit = 1 pc.	Article No. per unit unit = 1 pc.	Article No. per unit unit = 1 pc.

Mounting plates for universal fixing of different components, BPZ-MPL...

800	30	BPZ-MPL30-800 104318	-	-	-
	80	BPZ-MPL80-800 286767	-	-	-
	180	BPZ-MPL180-800 102474	-	-	-
	100	-	BPZ-MPL100-800 114802	-	-
	200	-	BPZ-MPL200-800 114808	-	-
	300	-	BPZ-MPL300-800 114814	-	BPZ-KIT-MPL-800 134212 [BPZ-KIT-MPL-800-W] [134217]
	400	-	BPZ-MPL400-800 114820	-	-
	500	-	BPZ-MPL500-800 114826	-	-
	350	-	-	BPZ-MPL350-800 108347	-
	650	-	-	BPZ-MPL650-800 108348	-
	950	-	-	BPZ-MPL950-800 108349	-
	1150	-	-	BPZ-MPL1150-800 108350	-
	1450	-	-	BPZ-MPL1450-800 108351	-
	1650	-	-	BPZ-MPL1650-800 108352	-
	1950	-	-	BPZ-MPL1950-800 108353	-

Mounting plates for universal fixing of different components

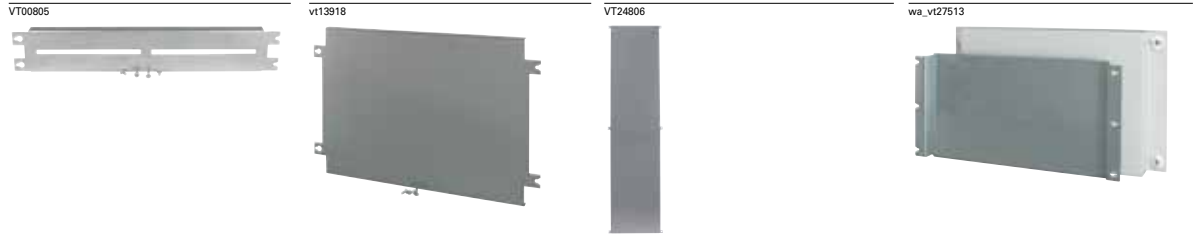


Width [mm]	Height int. [mm]	Installation back frame / Mounting side wall (MSW) Mounting plate (punched) with cut-out in the center to fix devices by using cage nuts Galvanized sheet-metal 2mm	Installation back frame / Mounting side wall (MSW) Mounting plate (blind) without any cut-out Galvanized sheet-metal 2mm	Installation back frame / Mounting side wall (MSW) Mounting plate (section-high) without any cut-out Galvanized sheet-metal 2mm	Installation back frame / Mounting side wall (MSW) Mounting plate (max. depth) without any cut-out incl. Front plate (max. depth) Galvanized sheet-metal 2mm RAL 7035 grey [RAL 9016 white]
		Article No. per unit unit = 1 pc.	Article No. per unit unit = 1 pc.	Article No. per unit unit = 1 pc.	Article No. per unit unit = 1 pc.
1000	30	BPZ-MPL30-1000 104319	-	-	-
	80	BPZ-MPL80-1000 293609	-	-	-
	180	BPZ-MPL180-1000 102475	-	-	-
	100	-	BPZ-MPL100-1000 114803	-	-
	200	-	BPZ-MPL200-1000 114809	-	-
	300	-	BPZ-MPL300-1000 114815	-	BPZ-KIT-MPL-1000 134213 [BPZ-KIT-MPL-1000-W] [134218]
	400	-	BPZ-MPL400-1000 114821	-	-
	500	-	BPZ-MPL500-1000 114827	-	-
	350	-	-	BPZ-MPL350-1000 153022	-
	650	-	-	BPZ-MPL650-1000 153024	-
	950	-	-	BPZ-MPL950-1000 153026	-
	1150	-	-	BPZ-MPL1150-1000 153028	-
	1450	-	-	BPZ-MPL1450-1000 153030	-
	1650	-	-	BPZ-MPL1650-1000 153032	-
	1950	-	-	BPZ-MPL1950-1000 153034	-

6.6

xEnergy Distribution Boards

Mounting plates for universal fixing of different components



Width	Height	Installation back frame / int. Mounting side wall (MSW) Mounting plate (punched) with cut-out in the center to fix devices by using cage nuts Galvanized sheet-metal 2 mm	Installation back frame / Mounting side wall (MSW) Mounting plate (blind) without any cut-out Galvanized sheet-metal 2 mm	Installation back frame / Mounting side wall (MSW) Mounting plate (section-high) without any cut-out Galvanized sheet-metal 2 mm	Installation back frame / Mounting side wall (MSW) Mounting plate (max. depth) without any cut-out incl. Front plate (max. depth) Galvanized sheet-metal 2 mm RAL 7035 grey [RAL 9016 white]
		Article No. per unit unit = 1 pc.	Article No. per unit unit = 1 pc.	Article No. per unit unit = 1 pc.	Article No. per unit unit = 1 pc.

Mounting plates for universal fixing of different components, BPZ-MPL...

1200	30	BPZ-MPL30-1200 104330	-	-	-
	80	BPZ-MPL80-1200 293610	-	-	-
	180	BPZ-MPL180-1200 102476	-	-	-
	100	-	BPZ-MPL100-1200 114804	-	-
	200	-	BPZ-MPL200-1200 114810	-	-
	300	-	BPZ-MPL300-1200 114816	-	BPZ-KIT-MPL-1200 134214 [BPZ-KIT-MPL-1200-W] [134219]
	400	-	BPZ-MPL400-1200 114822	-	-
	500	-	BPZ-MPL500-1200 114828	-	-
	350	-	-	BPZ-MPL350-1200 153023	-
	650	-	-	BPZ-MPL650-1200 153025	-
	950	-	-	BPZ-MPL950-1200 153027	-
	1150	-	-	BPZ-MPL1150-1200 153029	-
	1450	-	-	BPZ-MPL1450-1200 153031	-
	1650	-	-	BPZ-MPL1650-1200 153033	-
	1950	-	-	BPZ-MPL1950-1200 153035	-

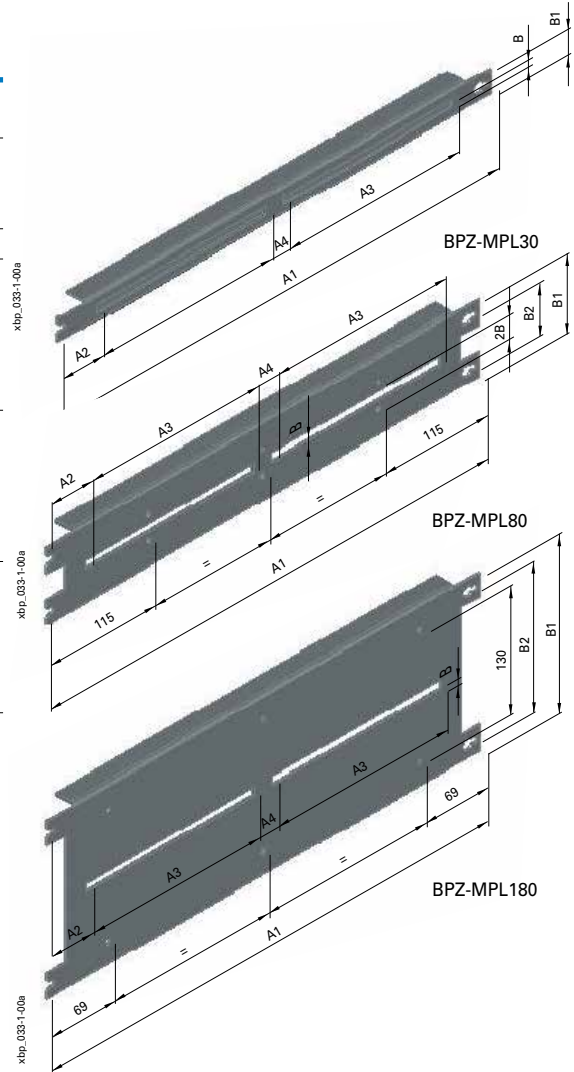
Universal mounting plates BPZ-MPL

- For mounting busbar supports and many other devices
- Material: Sheet steel (2 mm), zinc-coated
- Scope of delivery: 1 mounting plate, fixing material

Dimensions (mm)

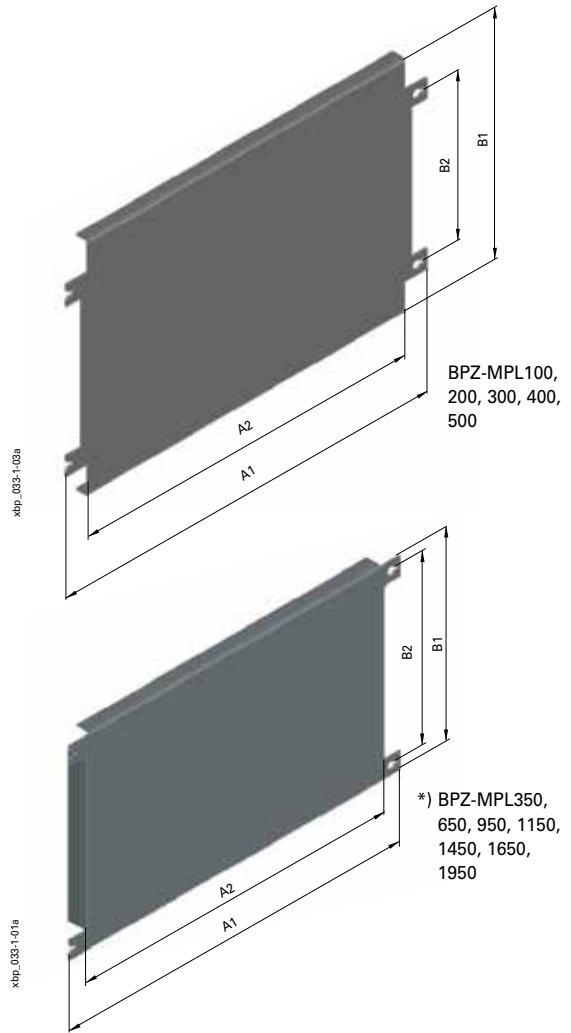
Type	Width				Height			Number of BEL elements on the side
	A1	A2	A3	A4	B1	B2	B	
BPZ-MPL30-400	288	49	190	20	30	0	8	2
BPZ-MPL30-600	488	44	190	20	30	0	8	2
BPZ-MPL30-800	688	46,5	185	20	30	0	8	2
BPZ-MPL30-1000	888	44	185	20	30	0	8	2
BPZ-MPL30-1200	1088	41,5	185	20	30	0	8	2
BPZ-MPL80-400	288	49	190	20	80	50	8	4
BPZ-MPL80-600	488	44	190	20	80	50	8	4
BPZ-MPL80-800	688	46,5	185	20	80	50	8	4
BPZ-MPL80-1000	888	44	185	20	80	50	8	4
BPZ-MPL80-1200	1088	41,5	185	20	80	50	8	4
BPZ-MPL180-400	288	49	190	20	180	150	8	4
BPZ-MPL180-600	488	44	190	20	180	150	8	4
BPZ-MPL180-800	688	46,5	185	20	180	150	8	4
BPZ-MPL180-1000	888	44	185	20	180	150	8	4
BPZ-MPL180-1200	1088	41,5	185	20	180	150	8	4

The cut-outs in the center of the mounting plate are used for fixing with cage nuts.



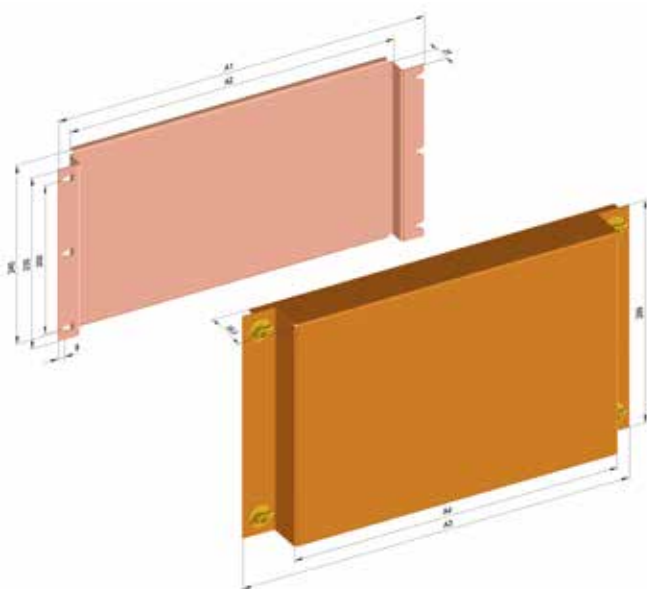
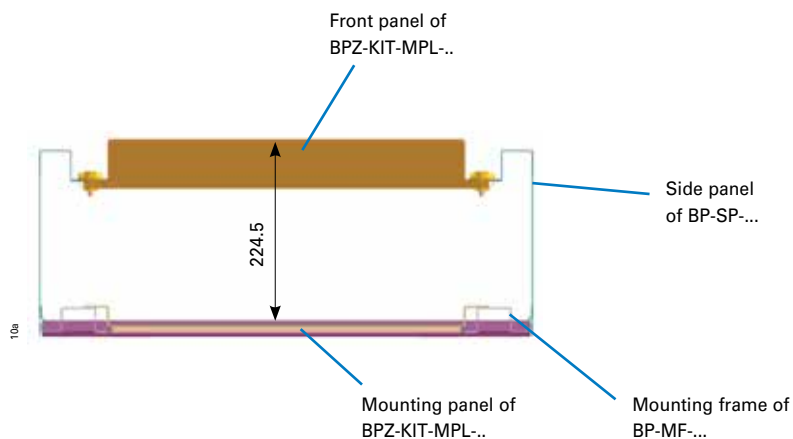
Dimensions (mm)

Type	Width		Height		Number of BEL elements on the side
	A1	A2	B1	B2	
BPZ-MPL100-400	288	246	100	50	4
BPZ-MPL100-425	313	253	100	50	4
BPZ-MPL100-600	488	446	100	50	4
BPZ-MPL100-800	688	648	100	50	4
BPZ-MPL100-1000	888	846	100	50	4
BPZ-MPL100-1200	1088	1046	100	50	4
BPZ-MPL200-400	288	246	200	150	4
BPZ-MPL200-425	313	253	200	150	4
BPZ-MPL200-600	488	446	200	150	4
BPZ-MPL200-800	688	648	200	150	4
BPZ-MPL200-1000	888	846	200	150	4
BPZ-MPL200-1200	1088	1046	200	150	4
BPZ-MPL300-400	288	246	300	200	4
BPZ-MPL300-425	313	253	300	200	4
BPZ-MPL300-600	488	446	300	200	4
BPZ-MPL300-800	688	648	300	200	4
BPZ-MPL300-1000	888	846	300	200	4
BPZ-MPL300-1200	1088	1046	300	200	4
BPZ-MPL350-400	288	246	280	250	4
BPZ-MPL350-600	488	446	280	250	4
BPZ-MPL350-800	688	648	280	250	4
BPZ-MPL350-1000	888	846	280	250	4
BPZ-MPL350-1200	1088	1046	280	250	4
BPZ-MPL400-400	288	246	400	300	4
BPZ-MPL400-425	313	253	400	250	4
BPZ-MPL400-600	488	446	400	300	4
BPZ-MPL400-800	688	648	400	300	4
BPZ-MPL400-1000	888	846	400	300	4
BPZ-MPL400-1200	1088	1046	400	300	4
BPZ-MPL500-400	288	246	500	400	4
BPZ-MPL500-425	313	253	500	300	4
BPZ-MPL500-600	488	446	500	400	4
BPZ-MPL500-800	688	648	500	400	4
BPZ-MPL500-1000	888	846	500	400	4
BPZ-MPL500-1200	1088	1046	500	400	4
BPZ-MPL650-400	288	246	580	550	4
BPZ-MPL650-600	488	446	580	550	4
BPZ-MPL650-800	688	648	580	550	4
BPZ-MPL650-1000	888	846	580	550	4
BPZ-MPL650-1200	1088	1046	580	550	4
BPZ-MPL950-400	288	246	880	850	4
BPZ-MPL950-600	488	446	880	850	4
BPZ-MPL950-800	688	648	880	850	4
BPZ-MPL950-1000	888	846	880	850	4
BPZ-MPL950-1200	1088	1046	880	850	4
BPZ-MPL1150-400	288	246	1080	1050	4
BPZ-MPL1150-600	488	446	1080	1050	4
BPZ-MPL1150-800	688	648	1080	1050	4
BPZ-MPL1150-1000	888	846	1080	1050	4
BPZ-MPL1150-1200	1088	1046	1080	1050	4
BPZ-MPL1450-400	288	246	1380	1350	4
BPZ-MPL1450-600	488	446	1380	1350	4
BPZ-MPL1450-800	688	648	1380	1350	4
BPZ-MPL1450-1000	888	846	1380	1350	4
BPZ-MPL1450-1200	1088	1046	1380	1350	4
BPZ-MPL1650-400	288	246	1580	1550	6
BPZ-MPL1650-600	488	446	1580	1550	6
BPZ-MPL1650-800	688	648	1580	1550	6
BPZ-MPL1650-1000	888	846	1580	1550	6
BPZ-MPL1650-1200	1088	1046	1580	1550	6
BPZ-MPL1950-400	288	246	1880	1850	6
BPZ-MPL1950-600	488	446	1880	1850	6
BPZ-MPL1950-800	688	648	1880	1850	6
BPZ-MPL1950-1000	888	846	1880	1850	6
BPZ-MPL1950-1200	1088	1046	1880	1850	6



*) Mounting plates are used principally as section height in the respective enclosure height!

Mounting set for maximum depth of board BPZ-KIT-MPL-..



Type	A1	A2	A3	A4
BPZ-KIT-MPL-400	292	236	320	234.5
BPZ-KIT-MPL-600	492	436	520	434.5
BPZ-KIT-MPL-800	692	636	720	634.5
BPZ-KIT-MPL-1000	892	836	920	834.5
BPZ-KIT-MPL-1200	1092	1036	1120	1034.5
BPZ-MPL80-400	288	49	190	20
BPZ-MPL80-600	488	44	190	20
BPZ-MPL80-800	688	46.5	185	20
BPZ-MPL80-1000	888	44	185	20
BPZ-MPL80-1200	1088	41.5	185	20
BPZ-MPL180-400	288	49	190	20
BPZ-MPL180-600	488	44	190	20
BPZ-MPL180-800	688	46.5	185	20
BPZ-MPL180-1000	888	44	185	20
BPZ-MPL180-1200	1088	41.5	185	20

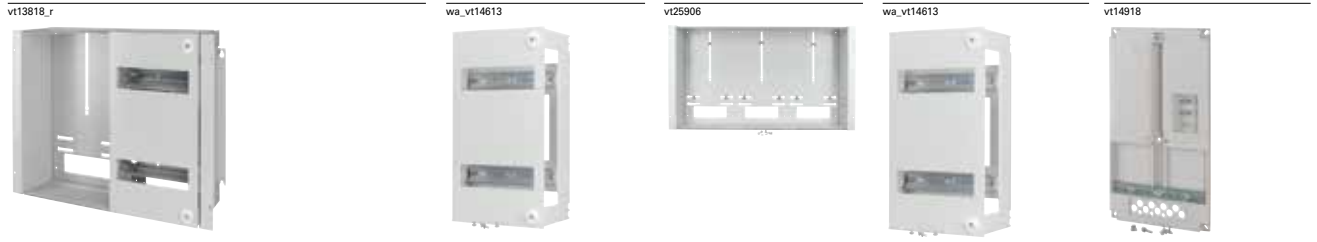


Width [mm]	Installation back frame / Meter trough (height = 450mm) incl. meter plate type ZBR single or multiple use of meters depending on the module width RAL 7035 grey	Mounting side wall (MSW) Meter trough (height = 400mm) incl. meter plate type ZBR single or multiple use of meters depending on the module width RAL 7035 grey	DIN-rail set for meter trough to replace 2 or 3 meter sections with standard MCB modules	Mounting side wall (MSW) Meter trough (height = 425mm) incl. meter plate type ZBR single or multiple use of meters depending on the module width RAL 7035 grey	DIN-rail set for meter trough to replace 2 meter sections with standard MCB modules
	Article No. per unit unit = 1 pc.	Article No. per unit unit = 1 pc.	Article No. per unit unit = 1 pc.	Article No. per unit unit = 1 pc.	Article No. per unit unit = 1 pc.

Mounting kits for Energy Meters and various metering equipment

400	BPZ-MT-400/450-1-A 112298	BPZ-MT-MSW-400/400-1-A 120767		BPZ-MT-MSW-400/425-1-A 120768	
600	BPZ-MT-600/450-2-A 112299	BPZ-MT-MSW-600/400-2-A 120769		BPZ-MT-MSW-600/425-2-A 120770	
800	BPZ-MT-800/450-3-A 112340	BPZ-MT-MSW-800/400-3-A 120771		BPZ-MT-MSW-800/425-3-A 120772	
1000	BPZ-MT-1000/450-4-A 112341	BPZ-MT-MSW-1000/400-4-A 120773	BPZ-DRS-MT-MSW-1000/400-2-A 120777 (instead of 2x ZBR)	BPZ-MT-MSW-1000/425-4-A 120774	BPZ-DRS-MT-MSW-1000/425-2-A 120778 (instead of 2x ZBR)
1200	BPZ-MT-1200/450-5-A 112342	BPZ-MT-MSW-1200/400-5-A 120775	BPZ-DRS-MT-MSW-1200/400-2-A 120779 (instead of 2x ZBR) BPZ-DRS-MT-MSW-1200/400-3-A 120781 (instead of 3x ZBR)	BPZ-MT-MSW-1200/425-5-A 120776	BPZ-DRS-MT-MSW-1200/425-2-A 120780 (instead of 2x ZBR) BPZ-DRS-MT-MSW-1200/425-3-A 120782 (instead of 3x ZBR)

Mounting kits for Energy Meters and various metering equipment



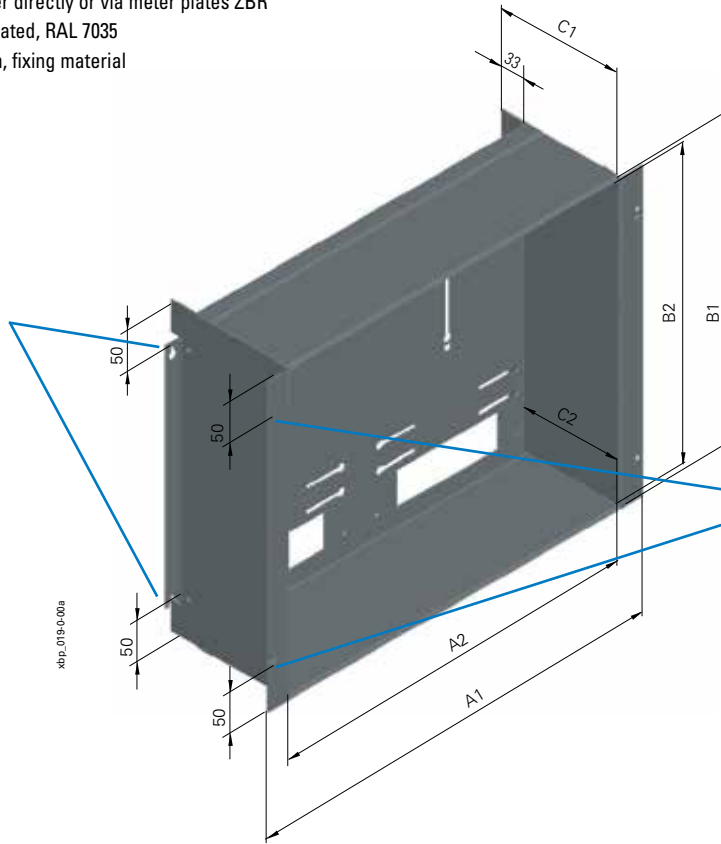
Installation back frame / Meter trough (height = 400mm) / without meter plate / prepared for mounting the energy / meter directly on the board RAL 7035 grey	Installation back frame / Meter trough (height = 400mm) / without meter plate / prepared for mounting the energy / meter directly on the board RAL 9016 white	DIN-rail set for meter trough to replace a meter section with standard MCB modules (installation either left/right) RAL 7035 grey [RAL 9016 white]	Installation back frame / Meter trough (height = 450mm) without meter plate prepared for mounting the energy meter directly on the board RAL 7035 grey	DIN-rail set for meter trough to replace a meter section with standard MCB modules (installation either left/right)	Meter plate (optional) as add-on to all kind of mounting kits 370x210 mm (HxB) one plate for single meter installation
Article No. per unit unit = 1 pc.	Article No. per unit unit = 1 pc.	Article No. per unit unit = 1 pc.	Article No. per unit unit = 1 pc.	Article No. per unit unit = 1 pc.	Article No. per unit unit = 1 pc.

BPZ-MT-400/400-1 108383	BPZ-MT-400/400-1-W 187877	BPZ-DRS-MT/400-1 108388	BPZ-MT-400/450-1-A 112298	BPZ-DRS-MT/450-1 116042	ZBR 279261
BPZ-MT-600/400-2 108384	BPZ-MT-600/400-2-W 187878	[BPZ-DRS-MT/400-1-W] [188238]	BPZ-MT-600/450-2-A 112299		
BPZ-MT-800/400-3 108385	BPZ-MT-800/400-3-W 187879		BPZ-MT-800/450-3-A 112340		
BPZ-MT-1000/400-4 108386	BPZ-MT-1000/400-4-W 187880		BPZ-MT-1000/450-4-A 112341		
BPZ-MT-1200/400-5 108387	BPZ-MT-1200/400-5-W 187881		BPZ-MT-1200/450-5-A 112342		

Meter troughs, BPZ-MT-(MSW)-...

- Meter troughs for mounting meter directly or via meter plates ZBR
- Material: Sheet steel, powder-coated, RAL 7035
- Scope of delivery: 1 meter trough, fixing material

Openings for fixing onto rear frame in surface-mounted boards IP30 or for hanging in surface-mounted boards IP55 and floor-standing boards



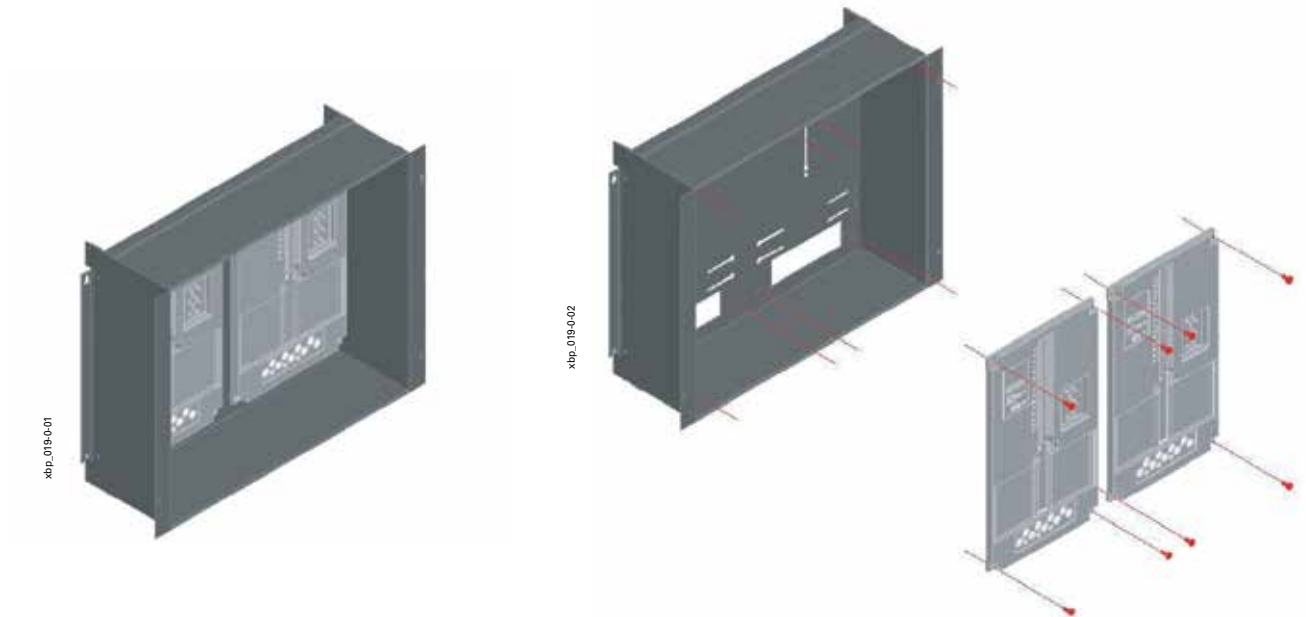
Openings for fixing onto side walls BPZ-MSW or support BPZ-FPS (if mounted without BPZ-MSW into surface-mounted boards IP55 or floor-standing boards for which there is not access for rear mounting due to welded construction of the board)

Dimensions (mm)

Type	Outsider dimensions			A2	B2	C2
	Width A1	Height B1	Depth C1			
BPZ-MT-400/400-1(-W)	320	400	165	-	390	130
BPZ-MT-600/400-2(-W)	520	400	165	459	390	130
BPZ-MT-800/400-3(-W)	720	400	165	659	390	130
BPZ-MT-1000/400-4(-W)	920	400	165	859	390	130
BPZ-MT-1200/400-5(-W)	1120	400	165	1059	390	130
BPZ-MT-400/450-1	320	450	165	-	440	130
BPZ-MT-600/450-2	520	450	165	459	440	130
BPZ-MT-800/450-3	720	450	165	659	440	130
BPZ-MT-1000/450-4	920	450	165	859	440	130
BPZ-MT-1200/450-5	1120	450	165	1059	440	130

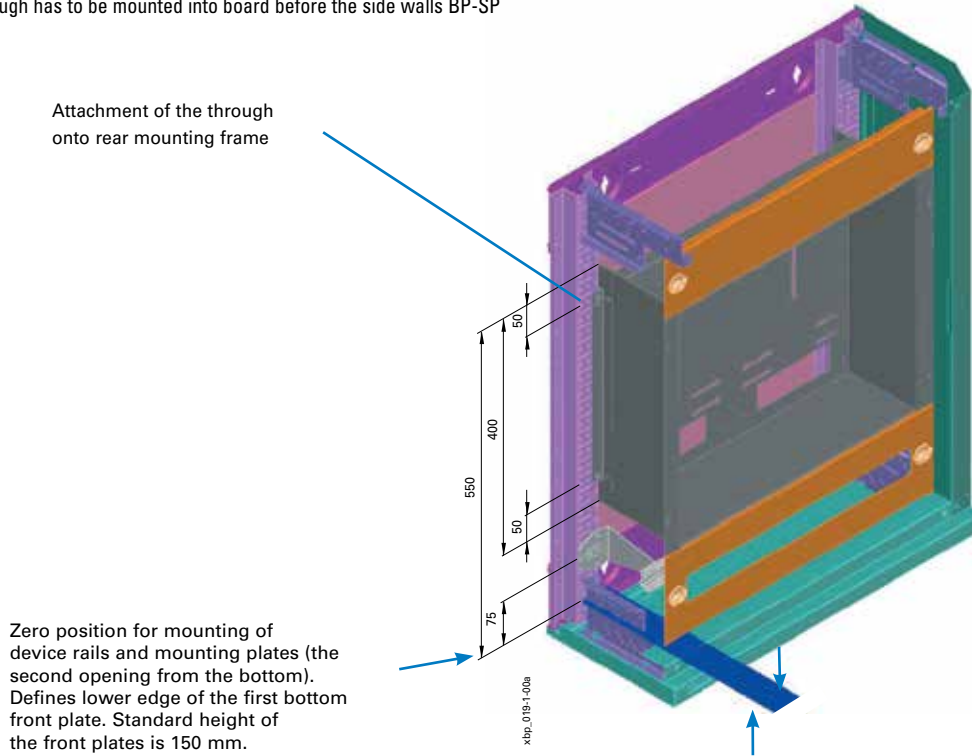
Mounting of meter plates ZBR into troughs BPZ-MT

- Meter plates ZBR are fixed with screws in the corners (in scope of delivery of the plates)



Application of meter through in a surface-mounted board IP30

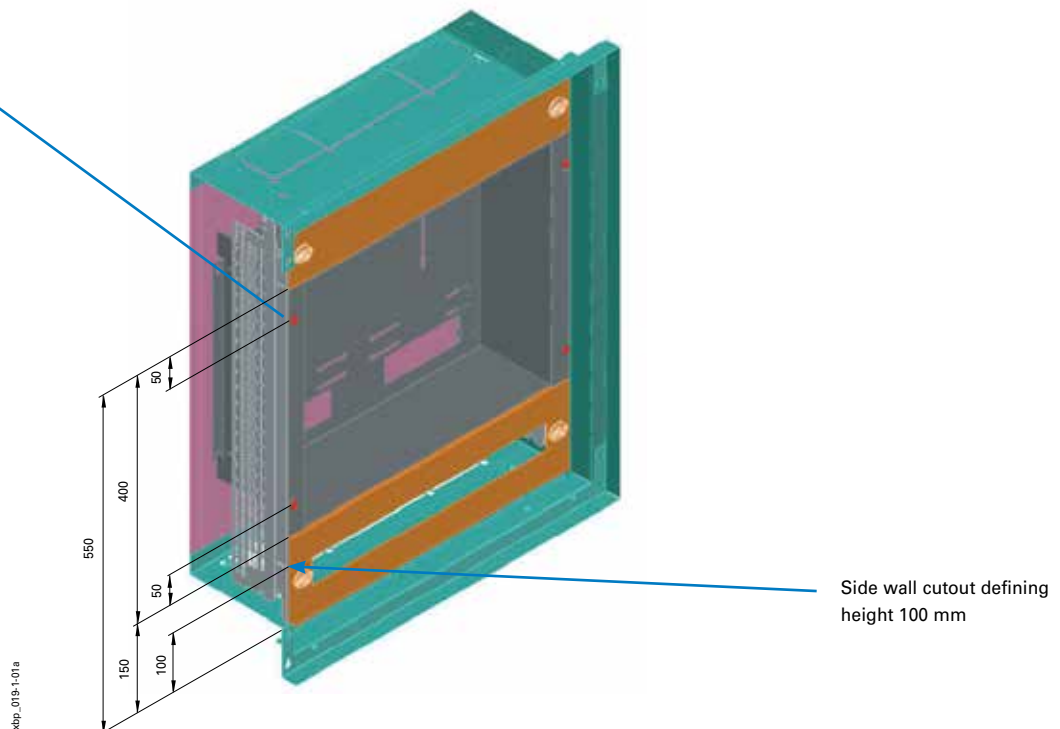
- Trough is mounted directly onto rear frame
- Sealing screws for securing of the trough can be screwed into support BPZ-FPS
- In case of use BPZ-MSW, the through is fixed via front part onto BPZ-MSW (see application in flush-mounted board)
- Meter through has to be mounted into board before the side walls BP-SP



Application of meter through in flush-mounted board or surface-mounted board IP54/IP55

- The trough is mounted onto side walls BPZ-MSW or supports BPZ-FPS
- If sealing is asked, standard screws are replaced with sealing ones
- Meter throughs can be mounted into flush-mounted boards with wall box of depth of 240 mm only
- Assembling into surface-mounted boards IP55 or floor-standing boards is carried in similar way. It is not possible to use rear mounting due to fixed side walls. For these cases, the through can be hanged onto rear frame. The fixing itself is performed from the front by means of screws screwed into BPZ-MSW or BPZ-FPS.

Fixing of the through on side wall BPZ-MSW



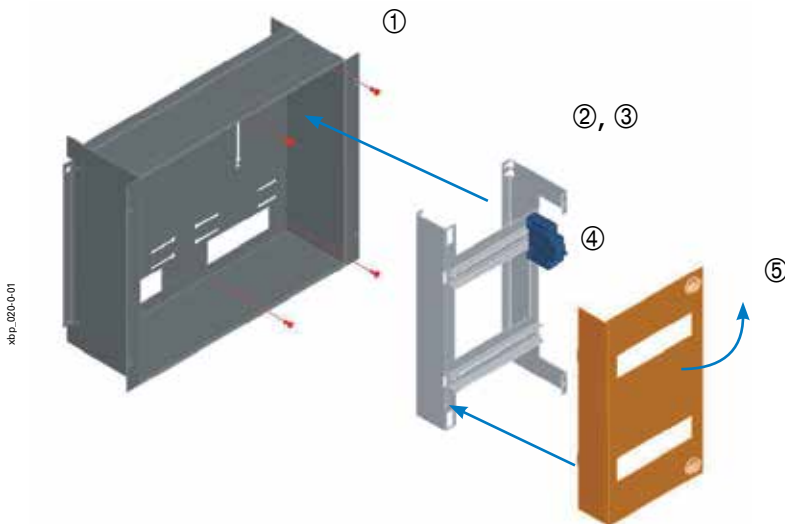
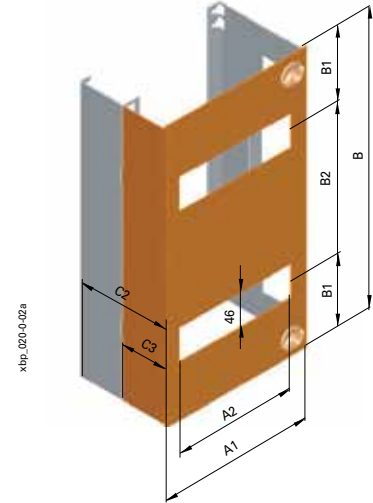
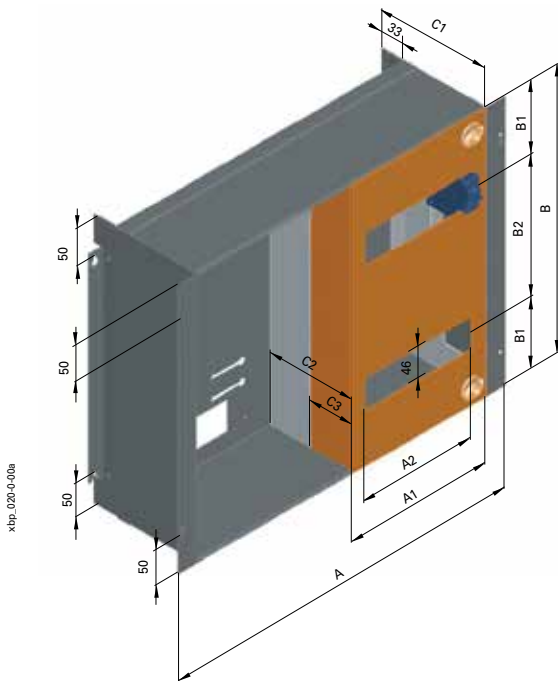
Device rail sets, BPZ-DRS-MT

- For using free metering places with device rails
- Mounting is possible into side positions in the through
- Material: Sheet steel, powder-coated, RAL 7035
- Scope of delivery: 1 device rail set, fixing material

Dimensions (mm)

Type	Outside dimensions						
	Width	Height	Depth	A2	B1	B2	C3
PZ-DRS-MT/400-1(-W)	215	400	130	170	100	200	65
BPZ-DRS-MT/450-1	215	450	130	170	125	200	65

Assembling into meter through



Mounting process:

1. Pre-screwing of fixing screws into meter through.
The screws must not be screwed tight.
2. Placing of the device rail set onto pre-screwed screws.
3. Tightening of the fixing screws.
4. Potential installation or connecting of inside equipment.
5. Mounting of a front panel

A large grid area for taking notes, consisting of a 20x30 grid of small squares.

wa_v01318, v07115, v10319



Distribution Boards

Distribution Boards

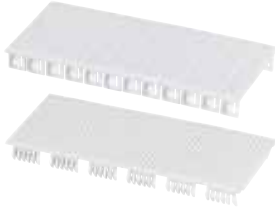
- **Chapter 0**
Table of ContentsPage 1
- **Chapter 1**
Field distribution boards protection class IIPage 2
 - 1.1 Surface-mounted field distribution board EWK-G., IP31.....Page 3
- **Chapter 2**
Enclosures / switchgear cabinets for installation system EPPage 6
 - 2.1 Surface-mounted distribution board BP-O-...-EP-W, IP31Page 8
 - 2.2 Surface-mounted distribution board BPM-O-...-EP, IP55Page 12
 - 2.3 Floor-standing distribution board BPM-F-...-EP, IP55Page 17
- **Chapter 3**
EP installation system - standard modules / mounting kitsPage 22
 - 3.1 EP installation system - standard modules / Fitting-kits, Width 250 mmPage 24
 - 3.2 EP installation system - standard modules / Fitting-kits, Width 500 mmPage 28
 - 3.3 EP installation system - standard modules / Fitting-kits, Width 750 mmPage 32
 - 3.4 EP installation system - standard modules / Fitting-kits, Technical dataPage 34
- **Chapter 4**
EP installation system - general accessoriesPage 41
- **Chapter 5**
Enclosures / switchgear cabinets for installation system Profi+Page 54
 - 5.1 Surface-mounted distribution board BP-O-..., IP30 (pre-assembled)Page 56
 - 5.2 Surface-mounted distribution board BP-O-..., IP30 (flat-pack, grey)Page 60
 - 5.3 Surface-mounted distribution board BP-O-..., IP30 (flat-pack, white)Page 64
 - 5.4 Surface-mounted distribution board BPM-O-..., IP55Page 87
 - 5.5 Flush-mounted distribution board BP(A/M)-U-3S-..., IP30/IP43/IP54Page 97
 - 5.6 Floor-standing distribution board BP-F-..., IP30Page 111
 - 5.7 Distribution boards for special applications, BP-MN / BP-VFPage 122
 - 5.8 Floor-standing distribution board BPM-F-..., IP55Page 127
 - 5.9 Shared compartments inside distribution boards BP(M)-O, BP(M)-F.....Page 139
- **Chapter 6**
Profi+ installation system - components for interior fittingPage 144
 - 6.1 Front plates, blind and with 45mm cut-out for DIN-rail devicesPage 146
 - 6.2 Mounting kits for Moulded Case Circuit BreakerPage 154
 - 6.3 Mounting kits for Fuse Switch Disconnectors.....Page 172
 - 6.4 Mounting kits for BZM, Dumeco and QSAPage 178
 - 6.5 Mounting kits for Earthing and Neutral conductorsPage 179
 - 6.6 Mounting plates for universal fixing of different componentsPage 182
 - 6.7 Mounting kits for Energy Meters and various metering equipmentPage 190
- **Chapter 7**
Profi+ installation system - general accessoriesPage 197
- **Chapter 8**
General accessories xEnergy BasicPage 218
- **Chapter 9**
Overall technical data xEnergy BasicPage 238
- **Chapter 10**
Verification of temperature rise by testing - selection of reference examplesPage 243

Description	Type Designation	Article No.	Units per package
-------------	---------------------	-------------	----------------------

Blanking Strip, BS-...-WH

- For all Eaton distribution boards

wa_vt10414, wa_vt10714



Blanking Strip, white, fine-ribbed, 12 MU	BS-12MF-WH	178975	10/100
Blanking Strip, grey, fine-ribbed, 12 MU	BS-12MF-GY	178980	10/100
Blanking Strip, white, fine-ribbed, 6 MU	BS-6MF-WH	178976	10/100
Blanking Strip, white, rough-ribbed, 12 MU	BS-12MB-WH	178977	10/100
Blanking Strip, grey, rough-ribbed, 12 MU	BS-12MB-GY	178979	10/100
Blanking Strip, white, rough-ribbed, 6 MU	BS-6MB-WH	178978	10/100

Blanking Strips

wa_vt07213



Blanking Strip, white, 2x 10 MU incl. wedges	AP-45	275410	2
--	-------	--------	---

wa_vt07313



Blanking Strip, grey, 1m long	NBP-1000	275413	1
Blanking Strip, white, 1m long	NBP-1000-W	101666	1

Front plate screw, BPZ-FPV

- Replacement part
- Plastic part incl. sealing screw and standard screw
- Delivery in component parts

Single packaged

VT01210



Closure with grounding connection	BPZ-FPV	120721	1
-----------------------------------	---------	--------	---

200 pcs. loose parts in the box

Closure with grounding connection	BPZ-FPV-E	180441 *)	200
-----------------------------------	-----------	-----------	-----

*) Article No. and price per piece

Width (mm) / Height (mm) / MU	Type Designation	Article No.	Units per package
-------------------------------	---------------------	-------------	----------------------

Blanking Strip for SASY 60i, AM-195/54

- Plastic cover for SASY 60i cut outs, RAL 7035
- To clip on and click onto place
- Possibility to shorten

sg13506



54 / 195 / 3	AM-195/45	107963	1
--------------	-----------	--------	---

Width (mm)	Type Designation	Article No.	Units per package
------------	------------------	-------------	-------------------

Sealing Angle, BPZ-PW...

- Sealing angle for IP30 Surface-Mounting board
- Set includes 2 angles and 8 screws

vt01410



	BPZ-PW-ZVT	120764	1
--	------------	--------	---

Sealing Set, BPZ-SS

- For sealing of front plates
- Set consists of 4 pcs. of sealing strips, 4 pcs. of sealing screws M5 and 1 pc. of taptite screw M5

vt11408



	BPZ-SS	116652	1
--	--------	--------	---

Sealing Screw to seal meter trough, BPZ-S

- Sealing screw individually

wa_vt10914



	BPZ-S	120765	1
--	-------	--------	---

Cable Strain Relief C-Profile, BPZ-KAS

- Mounting on the base frame

wa_vt08913



400	BPZ-KAS-400	106440	1
600	BPZ-KAS-600	106441	1
800	BPZ-KAS-800	106442	1
1000	BPZ-KAS-1000	106443	1
1200	BPZ-KAS-1200	106444	1

Cable Ø (mm)	Type Designation	Article No.	Units per package
--------------	------------------	-------------	-------------------

Cable Clamps, NWS-K/AC

- Mounting onto BPZ-KAS


wa_nt09013





12-16	NWS-K/AC16	255197	1
16-20	NWS-K/AC20	255198	1
20-24	NWS-K/AC24	255199	1
24-28	NWS-K/AC28	255200	1
36-40	NWS-K/AC40	255201	1
48-52	NWS-K/AC52	255202	1

Terminal Points / Description	Type Designation	Article No.	Units per package
-------------------------------	------------------	-------------	-------------------

Terminal Supports, KT

 vt01705	horizontal	KT-3	275445	1
 vt01805	vertical	KT-5	275447	1


Terminal Strips, KL

 vt28015	4	KL-4	219723	1
	7	KL-7	219724	1
	11	KL-11	219725	1
	15	KL-15	219726	1
	25	KL-25	219727	1
	29	KL-29	275449	1
	45	KL-45	275450	1
	60	KL-60	275451	1
	76	KL-76	102066	1
	1 meter	KLM	275452	1
 vt24715	Connection terminal for 35 mm ²	KLA	275453	1

Width x Height x Depth (mm) / Version	Type Designation	Article No.	Units per package
---------------------------------------	------------------	-------------	-------------------

Holder for Terminal Carrier, BPZ-KTH-KSK-F1(-F2)

- Holder for combination plug-in terminal KSK using terminal carrier
- For mounting on terminal support bar BPZ-TSB
- To be used in combination with terminal carrier empty KSK-KLV or equipped

 vt28117	244 x 26 x 33 / single-storied	BPZ-KTH-KSK-F1	190041	1
	244 x 40 x 55 / two-storied	BPZ-KTH-KSK-F2	190042	1

Terminal Carrier empty, KSK-KLV

- For mounting of the combined plug-type terminal KSK






 vt119114	up to 4x KSK-N and/or 4x KSK-PE	KSK-KLV	178905	1/10
---	---------------------------------	---------	--------	------

Can be used for	Description	Type Designation	Article No.	Units per package
-----------------	-------------	------------------	-------------	-------------------



Additional equipment/spare parts for terminal equipment

- Combined plug-type terminal with plug-in terminal points for 0.5-4 mm² round conductors and screw-type terminal points for 2.5-25 mm² round conductors
- Terminal carriers KSK-KLV can be expanded by up to 4 individual N blocks for separate RCD protective circuits, or by additional PE blocks
- Terminal carriers are easy to snap on without any tools
- Finger proof IP2X

Equipped combined plug-type terminal KSK

	1x N potential 1x PE potential	N/PE comb. plug-type terminal 2x 2.5 - 25 mm ² each and 14x 0.5 - 4 mm ² each	KSK-2N/2PE-KLV	178898	1
	1x N potential	N comb. plug-type terminal 4x 2.5 - 25 mm ² and 28x 0.5 - 4 mm ²	KSK-4N-KLV	178899	1
	2x N potential	N/N comb. plug-type terminal 4x 2.5 - 25 mm ² and 28x 0.5 - 4 mm ²	KSK-3N/1N-KLV	178900	1
	2x N potential	N/N comb. plug-type terminal 4x 2.5 - 25 mm ² and 28x 0.5-4 mm ²	KSK-2N/2N-KLV	178901	1
	1x PE potential	PE comb. plug-type terminal 4x 2.5 - 25 mm ² and 28x 0.5 - 4 mm ²	KSK-4PE-KLV	178902	1

Individual combined plug-type terminal KSK

	1x N potential	N comb. plug-type terminal 1x 2.5 - 25 mm ² 7x 0.5 - 4 mm ²	KSK-N	178903	1/10
	1x PE potential	PE comb. plug-type terminal 1x 2.5 - 25 mm ² 7x 0.5 - 4 mm ²	KSK-PE	178904	1/10

Set for front plate sealing, BPZ-SS

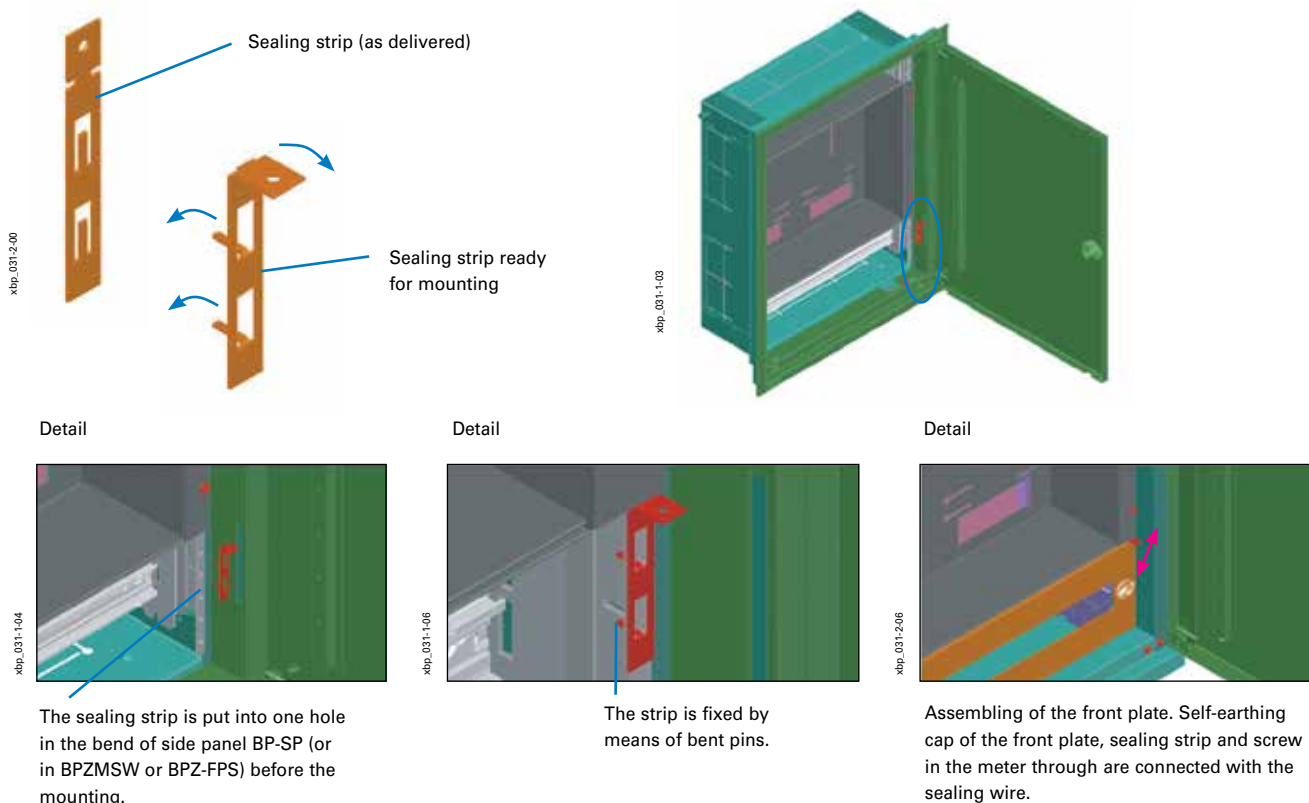
- Set for sealing of distribution boards
- Scope of delivery: 4 pcs of sealing strips, 4 pcs of sealing screws M5, 1 pc of tapping screw M5

Process of sealing of front plates

- Fixed point is given by properly mounted sealing strip
- Sealing screw M5

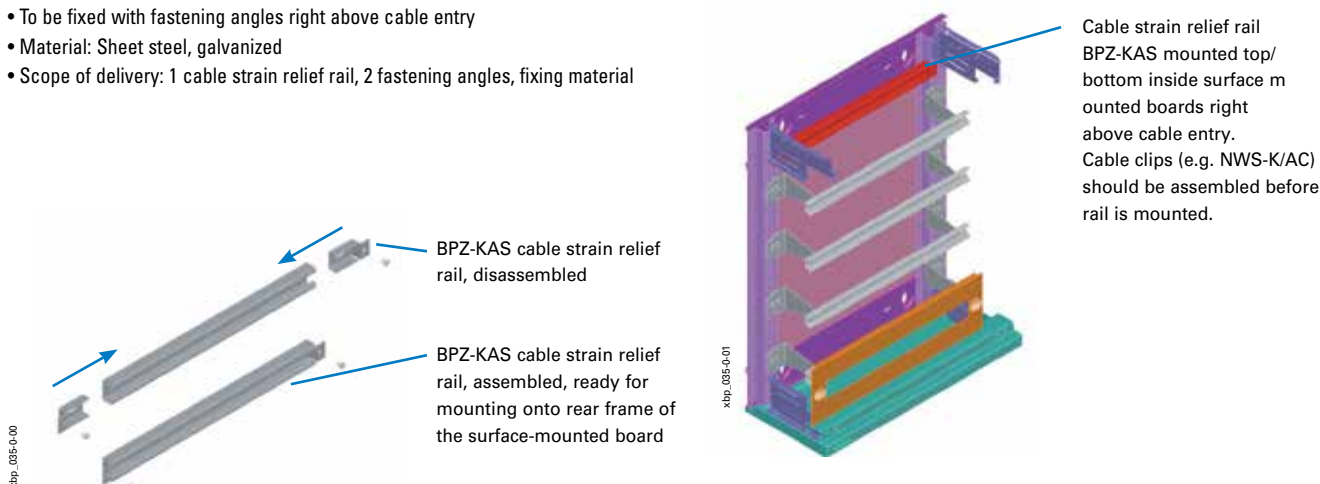
Process of sealing of meter through

- The through can be fixed from the front side into BPZ-FPS or BPZ-MSW by means of sealing screws M5 (included in the set). The tapping screw from the set is used to make thread.
- The sealing itself can be done with sealing strip of a neighbouring front plate or with pre-moulded lugs in the through.



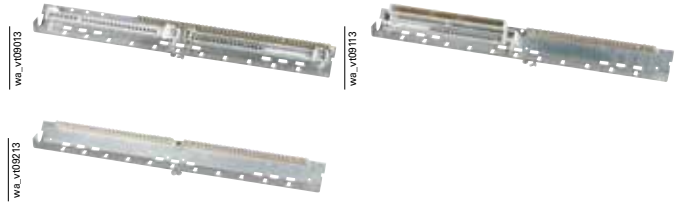
Cable strain relief rail C-profile, BPZ-KAS

- The rail is used to provide strain relief to the cables right after cable entry
- Suitable for mounting cable clips
- Can be used in surface-mounted or floor-standing boards
- To be fixed with fastening angles right above cable entry
- Material: Sheet steel, galvanized
- Scope of delivery: 1 cable strain relief rail, 2 fastening angles, fixing material



Terminal support bars, BPZ-TSB

- For mounting of terminals (KLV-)KL
- For surface mounted or floor-standing boards
- Mounted directly on the corner tower sets BPZ-CTS (the mounting is recommended before tightening of the fixing screws of the corner tower set)
- Possibility of direct mounting of PE terminal (conductive connection with board construction)
- N terminals are mounted by means of KT holders
- Material: sheet steel, galvanized
- Scope of delivery: 1 terminal support bar, fixing material



Terminal supports, KT

- Scope of delivery: 1 terminal support

KT-3

- For terminal strips KL-7 up to KL-60 mounted onto flat or hollow rails (2 pcs. needed)



KT-5

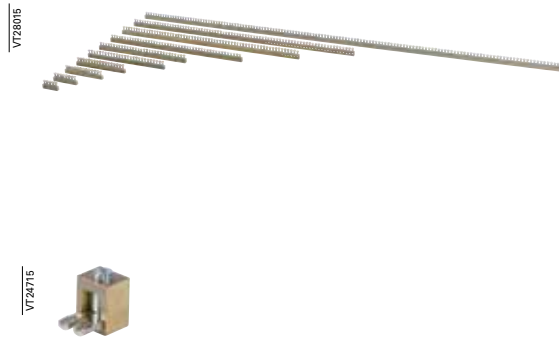
- For terminal strips up to KL-15, for vertical snap-on mounting onto device rails according to IEC/EN 60715



Terminal strips, (KLV-)KL

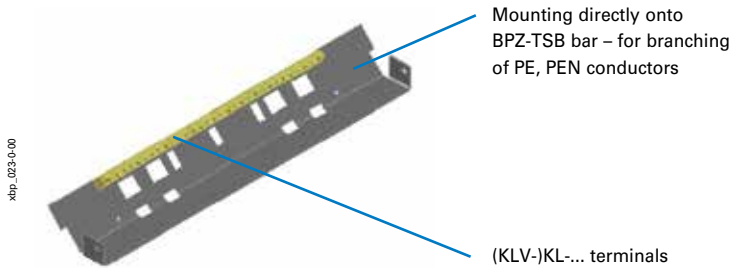
- Maximum current 63 A (125 A if strip is fed into its center via KLA)
- Scope of delivery: 1 terminal strip

Type	Length [mm]	Number of terminals
KL-4	36	2 x 1.5-10 mm ² , 2 x 1.5-16 mm ²
KL-7	57	6 x 1.5-10 mm ² , 1 x 1.5-16 mm ²
KL-11	92	10 x 1.5-10 mm ² , 2 x 1.5-16 mm ²
KL-15	120	14 x 1.5-10 mm ² , 2 x 1.5-16 mm ²
KL-25	190	23 x 1.5-10 mm ² , 2 x 1.5-16 mm ²
KL-29	218	27 x 1.5-10 mm ² , 2 x 1.5-16 mm ²
KL-45	330	43 x 1.5-10 mm ² , 2 x 1.5-16 mm ²
KL-60	442	58 x 1.5-10 mm ² , 2 x 1.5-16 mm ²
KL-76	554	74 x 1.5-10 mm ² , 2 x 1.5-16 mm ²
KLM	995	142 x 1.5-10 mm ²
KLA	Connection terminal up to 35 mm ² (instead of 2 terminal units up to 10 mm ²)	

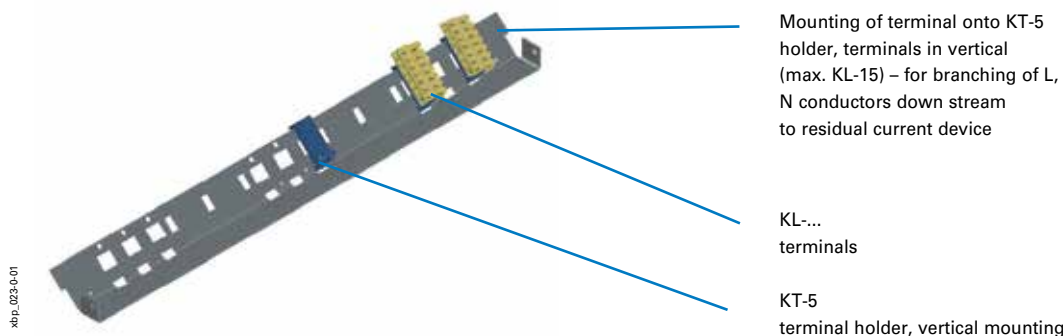


Possible variants of equipping of support bars BPZ-TSB with terminals (KLV-)KL

For board width 400 mm

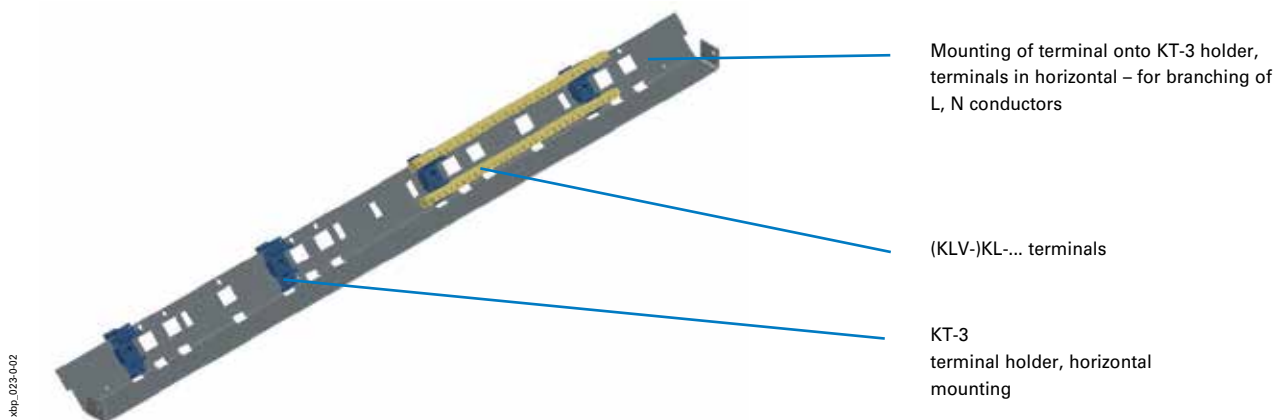


For board width 600 mm

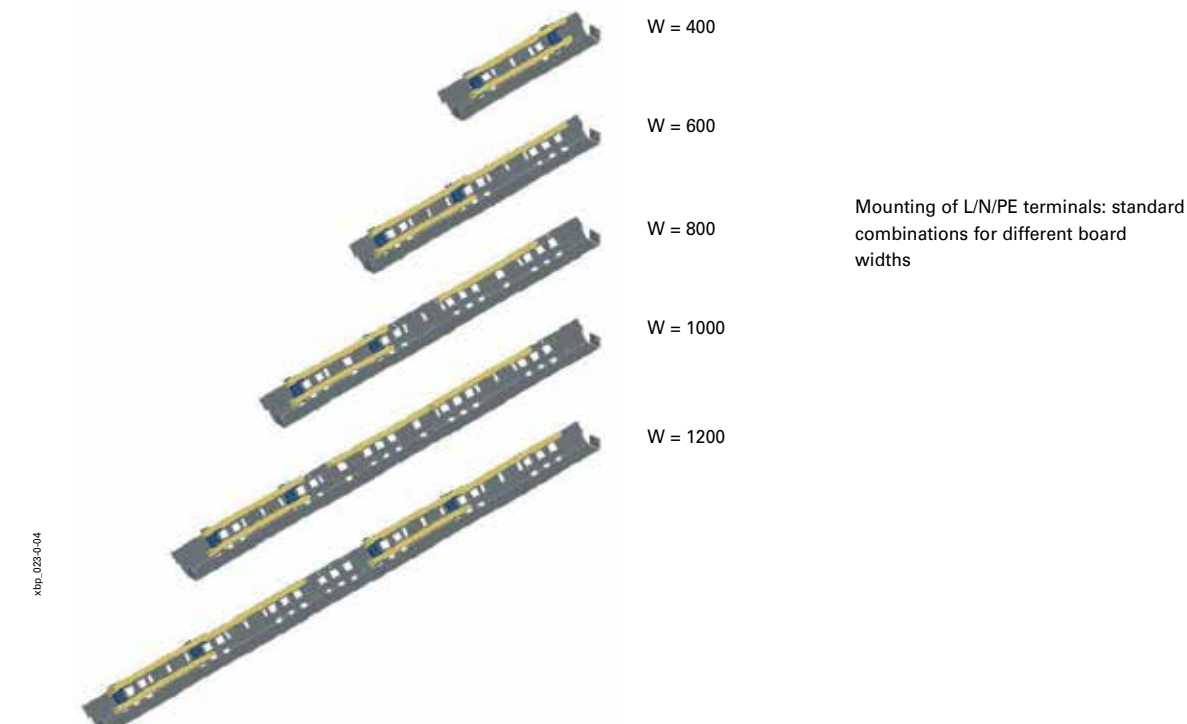
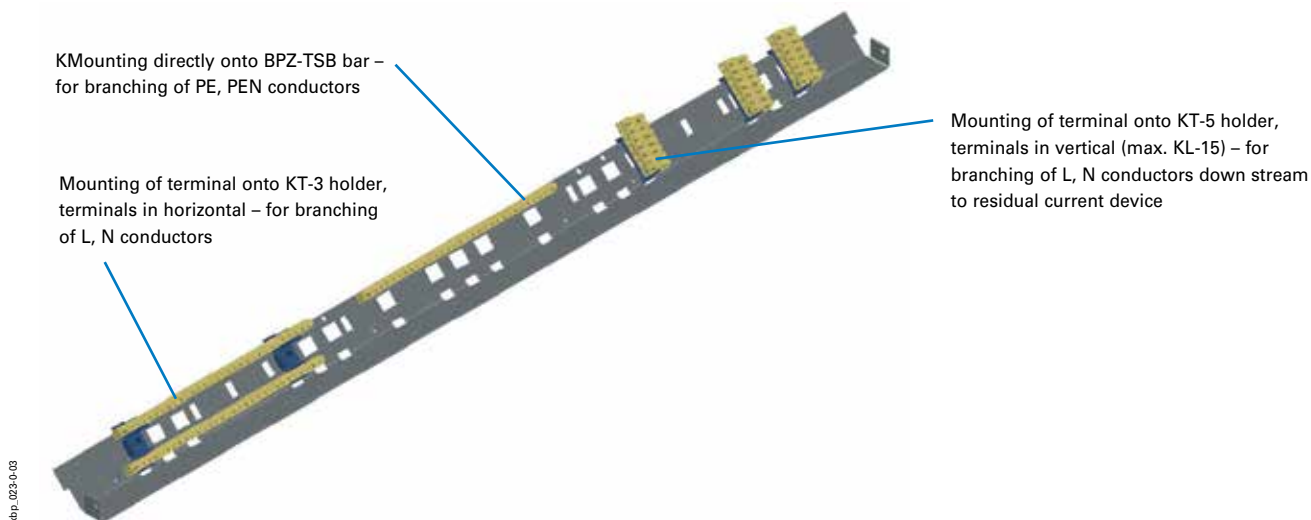


Possible variants of equipping of support bars BPZ-TSB with terminals (KLV-)KL

For board width 800 mm

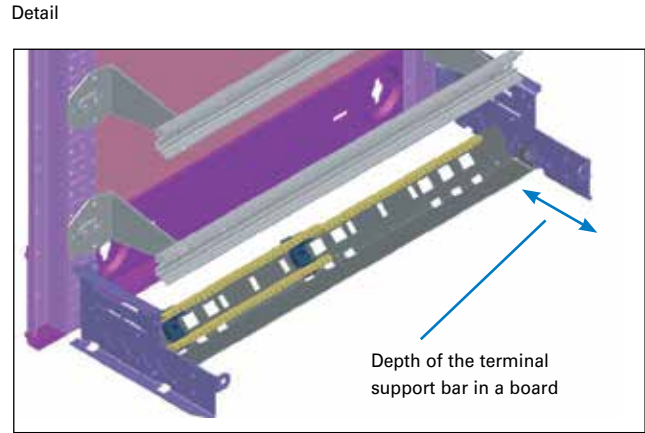
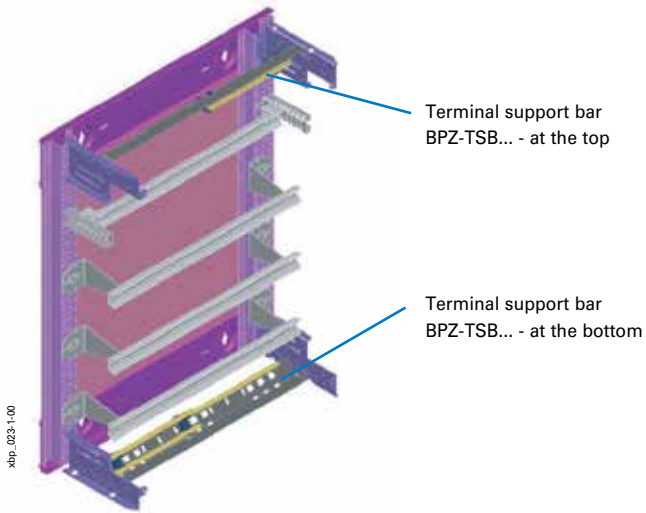


For board width 1000 mm

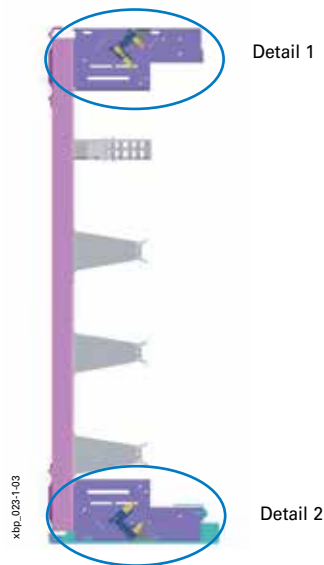


Placing of BPZ-TSB bar inside a board

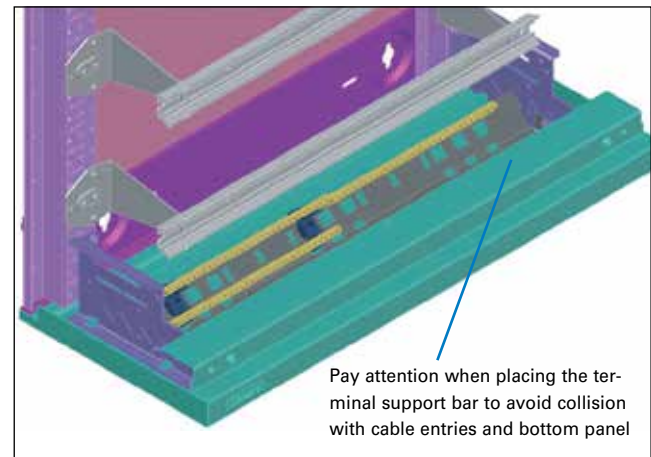
- Suitable only for surface mounted or floor-standing boards



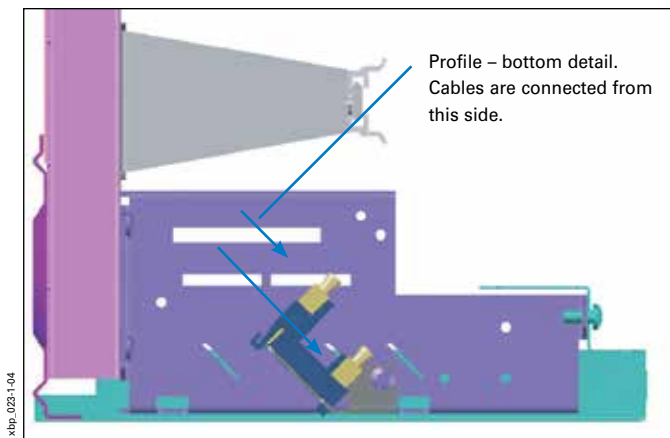
Profile



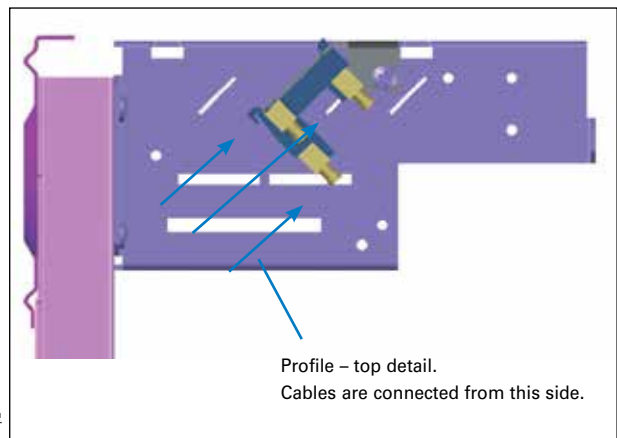
Detail



Detail 1 – Profile



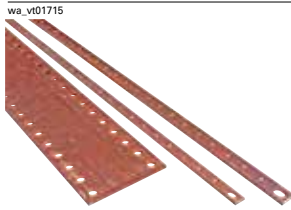
Detail 2 – Profile



Height x Thickness x Length (mm) / Thread / Rated Current

Type
Designation

Article No.

Units per
package**Busbar with Thread, BPZ-BB/T**

15 x 5 x 1000 / M6 / 218 A	BPZ-BB/T-15/5/1000	289861	4
20 x 5 x 1000 / M6 / 274 A	BPZ-BB/T-20/5/1000	289862	4
32 x 5 x 1000 / M6 / 400 A	BPZ-BB/T-32/5/1000	289863	4
15 x 5 x 2000 / M6 / 218 A	BPZ-BB/T-15/5/2000	289864	4
20 x 5 x 2000 / M6 / 274 A	BPZ-BB/T-20/5/2000	289865	4
30 x 5 x 2000 / M6 / 379 A	BPZ-BB/T-30/5/2000	179498	4
30 x 10 x 1000 / M8 / 573 A	BPZ-BB/T-30/10/1000	289867	4

Rated Current (A) / Rail Dimensions (mm)

Type
Designation

Article No.

Units per
package**4 pole Busbar Support, BPZ-BBS4**

160-250 / 15x5 and 20x5	BPZ-BBS-4/250	289868	10
160-630 / 15x5 up to 30x10	BPZ-BBS-4/630	289869	2

Length x Width x Height (mm)

Type
Designation

Article No.

Units per
package**Protective Cover for BPZ-BBS-4/250**

- Material: PVC



800 x 160 x 25	BPZ-PC/BBS250/800-160-25	177326	1
----------------	--------------------------	--------	---

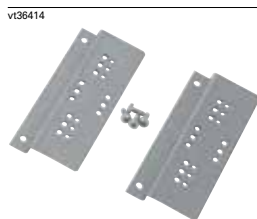
Width (mm)

Type
Designation

Article No.

Units per
package**Mounting elements for 4 pole Busbar Support 250 A**

- Pair
- Horizontal mounting in the 200 mm compartment, vertical busbar



200	BPZ-BR/BBS250/V-200	173652	1
-----	---------------------	--------	---

Width (mm)	Type Designation	Article No.	Units per package
------------	------------------	-------------	-------------------

Mounting elements for 4 pole Busbar Support 250/630 A

- Pair
- Horizontal mounting in the 400 mm compartment, vertical busbar
- Also for use as cable strain relief rail

vt05915



400	BPZ-BR/BBS630/V-400	177325	1
-----	---------------------	--------	---

Width (mm) / MU	Description	Type Designation	Article No.	Units per package
-----------------	-------------	------------------	-------------	-------------------

Mounting elements for 4 pole Busbar Support 630 A, BPZ-BR/BBS630/V

- Pair
- Horizontal mounting in the 400 mm compartment, vertical busbar

wa_vt04913



400	BPZ-BR/BBS630/V	104331	1
-----	-----------------	--------	---

Mounting elements for DIN-Rail or DIN-Rail Set, BPZ-BR/DINR/V-200

- Pair
- Horizontal mounting in the 200 mm compartment, vertical DIN-Rail
- Mounting the DIN-Rail directly or adjustable with towers

vt36314



200	BPZ-BR/DINR/V-200	173651	1
-----	-------------------	--------	---

Aluminum Rail for vertical interior fittings, BPZ-MAH

- Enable fixing of busbar support and other devices

vt15018



400	BPZ-MAH-400	154953	10
600	BPZ-MAH-600	154954	10
800	BPZ-MAH-800	154955	10
1000	BPZ-MAH-1000	154956	10
1200	BPZ-MAH-1200	154957	10

Width (mm) / MU	Description	Type Designation	Article No.	Units per package
-----------------	-------------	------------------	-------------	-------------------

DIN-Rail Set, BPZ-DINR, Towers - adjustable

wa_vt51613



400 / 13		BPZ-DINR13-400-T	286751	1/10
600 / 24		BPZ-DINR24-600-T	286753	1/10
800 / 35		BPZ-DINR35-800-T	286755	1/10
1000 / 46		BPZ-DINR46-1000-T	293590	1/10
1200 / 57		BPZ-DINR57-1200-T	293592	1/10

DIN-Rail Set, BPZ-DINR, Towers - fixed

- Protruding DIN-Rail cutted on both sides
- For better mounting of vertical cable ducts

wa_vt04014



400 / 13		BPZ-DINR13S-400-B	193981	1/10
600 / 24		BPZ-DINR24S-600-B	174384	1/10
800 / 35		BPZ-DINR35S-800-B	174385	1/10
1000 / 46		BPZ-DINR46S-1000-B	193982	1/10
1200 / 57		BPZ-DINR57S-1200-B	193983	1/10

Towers, BPZ-T

wa_vt08314, wa_vt61413



	fixed	BPZ-TF/2	116651	1 pair
	adjustable	BPZ-TA/2	116650	1 pair

DIN-Rail Set, BPZ-DINR, Towers - fixed, variant for cable guiding

- DIN-Rail 35 x 15 mm made of sheet metal incl. square hole pattern 9.5 x 9.5 mm
- For fixing of cable routing shackles type EPCL095-75X35

xx

400 / 13		BPZ-DINR13P-400-B	302820	1/10
600 / 24		BPZ-DINR24P-600-B	302823	1/10
800 / 35		BPZ-DINR35P-800-B	302824	1/10
1000 / 46		BPZ-DINR46P-1000-B	302825	1/10
1200 / 57		BPZ-DINR57P-1200-B	302826	1/10

Fastening Elements, BEL

- BEL12: insulated, pre-mounted (grout screws)
- BEL01: for conductive connection, pre-mounted (grout screws)
- BEL12A: insulated, delivery in component parts

wa_nt19713



Pairs	white	BEL12	275199	1 pair
Pairs	green	BEL01	275200	1 pair
Pairs	white	BEL12A	275201	1 pair
200 pcs. loose parts in the box	white	BEL12-E	237837 *)	200 pcs.
200 pcs. loose parts in the box	green	BEL01-E	237836 *)	200 pcs.

*) Article No. and price per piece

Width (mm) / MU	Description	Type Designation	Article No.	Units per package
-----------------	-------------	------------------	-------------	-------------------

C-Profil Rail for Cable Duct Angles, BPZ-CP

vt11008

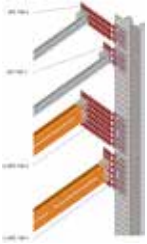


400		BPZ-CP-400	116918	10
600		BPZ-CP-600	116919	10
800		BPZ-CP-800	116920	10
1000		BPZ-CP-1000	116921	10
1200		BPZ-CP-1200	116922	10

Height (mm) / max depth (mm)	Type Designation	Article No.	Units per package
------------------------------	------------------	-------------	-------------------

Depth Extension Bracket for MSW-mounting, BPZ-TIW

vt106214



- For extension of the MSW in the depth
- TIW-1 used for all standard boards, TIW-2 exclusively for distribution boards with a depth of 400 mm (BP-F, BPM-F)
- The depth of the angle can be adjusted every 12 mm in the grid

75 / 72		BPZ-TIW-1	EP-501199	1 Pair
75 / 172		BPZ-TIW-2	EP-501393	1 Pair

Support Plate, STL / Adapter, SAA

- For mounting LTS-00 type HRC load breakers in series onto mounting support rails of different heights
- For mounting of PE/PEN busbars and nonstandard components onto fastening elements BEL

wa_vt39713



	Support plate (set of 2 pieces)	STL-1	275427	1
	Support plate (set of 2 pieces)	STL-2	275428	1

wa_vt42813



	Adapter (set of 4 pieces)	SAA	275429	1
--	---------------------------	-----	--------	---

DIN-Rail, BPZ-DINR

wa_vt51813



400 / 13		BPZ-DINR13-400	293594	10
600 / 24		BPZ-DINR24-600	293595	10
800 / 35		BPZ-DINR35-800	293596	10
1000 / 46		BPZ-DINR46-1000	293597	10
1200 / 57		BPZ-DINR57-1200	293598	10

Width (mm) / MU	Width (mm) / MU / for width of cable duct (mm)	Type Designation	Article No.	Units per package
-----------------	--	------------------	-------------	-------------------

DIN-Rail, BPZ-TSK

- DIN-Rail cutted on one side
- Enable fixing of vertical cable ducts on one side

vt106214



600 / 23 / 40		BPZ-TSK-600/40	151166	10
600 / 22 / 60		BPZ-TSK-600/60	151167	10
600 / 21 / 80		BPZ-TSK-600/80	151168	10
800 / 34 / 40		BPZ-TSK-800/40	151169	10
800 / 33 / 60		BPZ-TSK-800/60	151170	10
800 / 32 / 80		BPZ-TSK-800/80	151171	10
1000 / 45 / 40		BPZ-TSK-1000/40	151172	10
1000 / 44 / 60		BPZ-TSK-1000/60	151173	10
1000 / 43 / 80		BPZ-TSK-1000/80	151174	10
1200 / 56 / 40		BPZ-TSK-1200/40	151175	10
1200 / 55 / 60		BPZ-TSK-1200/60	151176	10
1200 / 54 / 80		BPZ-TSK-1200/80	151177	10

Height (mm)	Type Designation	Article No.	Units per package
-------------	---------------------	-------------	----------------------

Cable Duct Angles, KKW

- For MSW mounting
- Enable fixing of vertical cable ducts
- KKW-40 for 60 mm cable ducts
- KKW-DIN for 80 mm cable ducts
- DIN-Rail has to be shortened

wa_vt39513



	KKW-40	275242	10 / 200
	KKW-DIN	275243	10 / 200

Fixing Material for Cable Duct, BPZ-CDB

- Mounting on main frame
- Enable fixing of vertical and horizontal cable ducts
- For boards of width 400, 600

wa_vt07013



8	BPZ-CDB	102471	1
23	BPZ-CDB23	105216	1
58	BPZ-CDB58	109169	1

Fixing Material for Cable Duct C-Profile, BPZ-CDB../CP

- Mounting on main frame
- Enable fixing of vertical and horizontal cable ducts
- For boards of width 600, 800, 1000, 1200
- In combination with C-Profil I Rail BPZ-CP-...

vt11108



8	BPZ-CDB8/CP	116915	1
23	BPZ-CDB23/CP	116916	1
58	BPZ-CDB58/CP	116917	1

- For better mounting of vertical cable ducts
- In combination with DIN-Rail Set BPZ-DINR..S-...-B (DIN-Rail shortened)

vt106614, vt106514



8	BPZ-CDB08/CP	174386	1
49	BPZ-CDB49/CP	174387	1

BPZ-CDB08/CP



Width (mm)	Description	Type Designation	Article No.	Units per package
------------	-------------	---------------------	-------------	----------------------

Accessories for Cable Duct Fixing, BPZ-ZP

- For direct mounting of the cable duct at the C-profile rail (ZP2) or to the mounting elements BPZ-CDB... (ZP1)

wa_vt04916, wa_vt05016



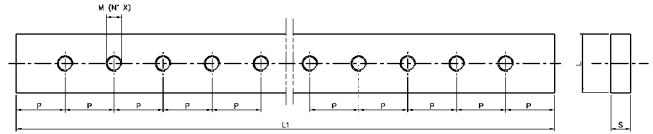
	100 pcs. in bag	BPZ-ZP1	184980	1
	50 pcs. in bag	BPZ-ZP2	184981	1

Busbar with Thread, BPZ-BB/T

- Scope of delivery: 4 Busbars (art. no. is created as 1 piece)

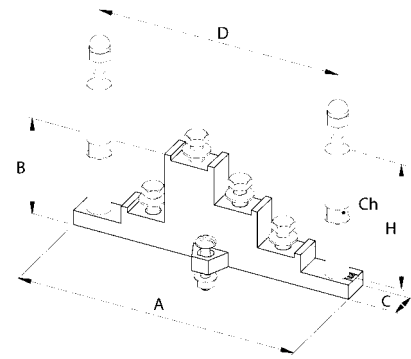
Dimensions (mm)

Type	L	S	P	L1	ØM	N°	Rated current (A) (Busbar temperature 65°C)
BPZ-BB/T-15/5/1000	15	5	25	1000	M6	39x	218
BPZ-BB/T-20/5/1000	20	5	25	1000	M6	39x	274
BPZ-BB/T-32/5/1000	32	5	25	1000	M6	39x	400
BPZ-BB/T-15/5/2000	15	5	25	2000	M6	79x	218
BPZ-BB/T-20/5/2000	20	5	25	2000	M6	79x	274
BPZ-BB/T-30/5/2000	30	5	25	2000	M6	79x	379
BPZ-BB/T-30/10/1000	30	10	25	1000	M8	39x	573



4-pole Busbar Support, BPZ-BBS-4/250

- Rated current 150-250 A
- Mounting position: vertical, horizontal
- For busbars featuring threads M6, 15 x 5 and 20 x 5 mm
- Material: PA66 reinforced with 30% glass fiber
- Flame resistance: self-extinguishing acc. to UL94/V-0
- Halogen free: Yes
- Compact construction
- Holes for fixing with M6 screws
- Easy to mount onto a mounting plate or special prepared brackets
- Additional fixing of protective cover BPZ-PC/BBS250/800-160-25
- Continuous operating temperature: +130°C
- Max. distance between the busbar supports in mm in case of one busbar per phase
- Scope of delivery: 1 busbar holder, 2 spacers, fixing material

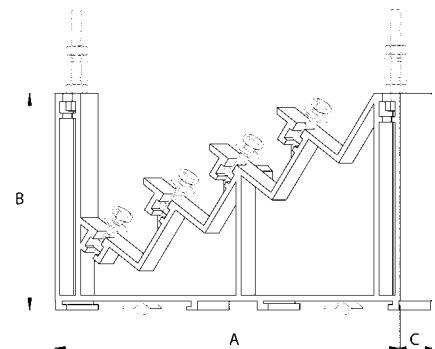


Bar cross section	lcc pk (kA)	11	14	24	32
	lcc rms (kA)	7	8	12	15
	In (A)	Distance (mm)			
15 x 5	150	561	455	258	150
20 x 5	250	647	526	266	150

A	B	C	D	H	Ch
mm	mm	mm	mm	mm	mm
150	54	16	130	70	10

4-pole Busbar Support, BPZ-BBS-4/630

- Rated current 150-630 A
- Mounting position: vertical, horizontal
- For busbars featuring threads M6, 15 x 5, 20 x 5, 32 x 5, 30 x 5 and 30 x 10 mm
- Material: PA66 reinforced with 35% glass fiber
- Flame resistance: self-extinguishing acc. to UL94/V-0
- Halogen free: Yes
- Compact construction
- Easy to mount onto a DIN-rail, onto a mounting plate or special prepared brackets
- Protective cover (not part of delivery) can be adjusted in height thanks to incl. plastic spacers
- Continuous operating temperature: +125°C
- Max. distance between the busbar supports in mm in case of one busbar per phase
- Scope of delivery: 1 busbar holder, fi xing material



Bar cross section	lcc pk (kA)	11	14	24	32	48
	lcc rms (kA)	7	8	12	15	23
	In (A)	Distance (mm)				
15x5	150	682	554	314	250	100
20x5	250	788	640	363	261	100
32x5	400	980	980	410	261	100
20x10	500	980	980	410	261	100
30x10	630	980	980	410	261	100

A	B	C
mm	mm	mm
215	112	34

Mounting elements for 4 pole Busbar Support 250 A, BPZ-BR/BBS250/V-200

- For horizontal mounting of the 4-pole Busbar Support BPZ-BBS-4/250 onto mounting pillars of a 200 mm wide compartment. Busbars are in vertical direction.
- Material: Sheet steel (2 mm), zinc-coated
- Scope of delivery: 2 Mounting elements, fixing material

Mounting elements for 4-pole Busbar Support 630 A, BPZ-BR/BBS630/V

- For horizontal mounting of the 4-pole Busbar Support BPZ-BBS-4/630/V onto mounting pillars of a 400 mm wide enclosure (or a 400 mm wide compartment). Busbars are in vertical direction.
- Material: Sheet steel (2 mm), zinc-coated
- Scope of delivery: 2 Mounting elements, fixing material

Mounting elements for DIN-Rail respectively DIN-Rail Kit, BPZ-BR/DINR/V-200

- For vertical mounting of the DIN-Rail onto mounting pillars of a 200 mm wide compartment
- Material: Sheet steel (1.5 mm), zinc-coated
- Scope of delivery: 2 Mounting elements, fixing material



Device rail Set, BPZ-DINR

- For mounting of installation devices
- Number of modular units acc.to front plate cut-out, independent of type of fixing
- Fixed towers preferred for vertical routing via cable ducts

With adjustable mounting depth BPZ-DINR...T

- Scope of delivery: device rail, 2 adjustable towers, 2 BEL01 fastening elements, fixing material



With fixed mounting depth BPZ-DINR...B

- Scope of delivery: device rail, 2 fixed towers, fixing material
- Conductive connection is type tested



Towers for device rail, BPZ-T/2

- For mounting of device rails (without BPZ-MSW)

With adjustable depth BPZ-TA/2

- Enables adjustable mounting depth of the DIN-Rail in steps of 12 mm
- Scope of delivery: 2 adjustable towers, fixing material



With fixed depth BPZ-TF/2

- Scope of delivery: 2 fixed towers, fixing material
- Conductive connection is type tested

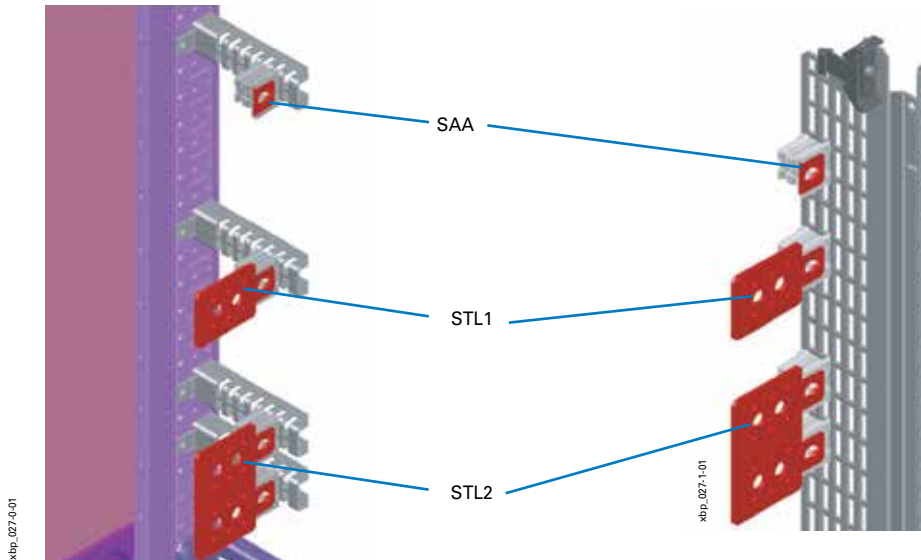
Fastening elements, BEL

- For mounting device rails onto adjustable towers BPZ-TA or onto mounting side walls BPZ-MSW
- White BEL12 - ungrounded fastening element
- Green BEL01 - grounded fastening element
- Unmounted BEL12A - ungrounded and unmounted fastening element
- Scope of delivery: 2 fastening elements

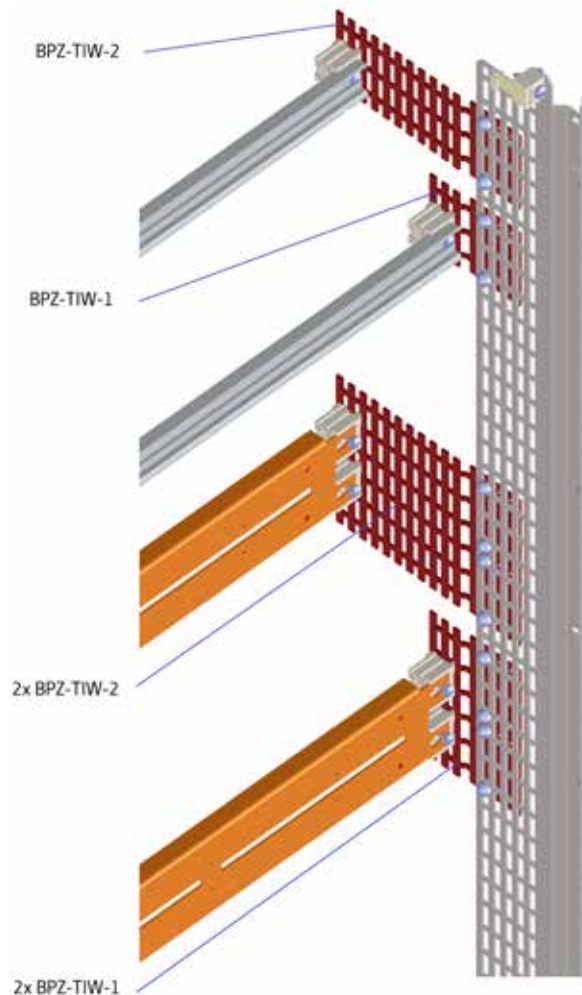


Adaptors, SAA, STL

- Adaptors SAA are intended to align the dip in BEL. With the adaptors, it is possible to mount panels and other equipment which is not designed for BEL onto these fastening elements.
- Holders STL can be used in the same way as SAA. These holders are enlarged by mounting extension.



Depth extension bracket for MSW-mounting, BPZ-TIW

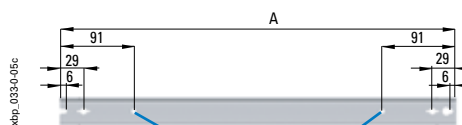
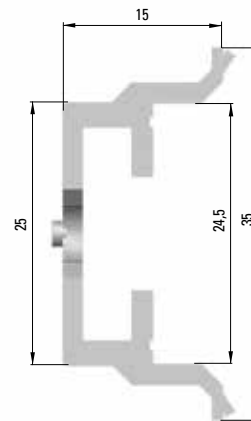


Device rails, BPZ-DINR

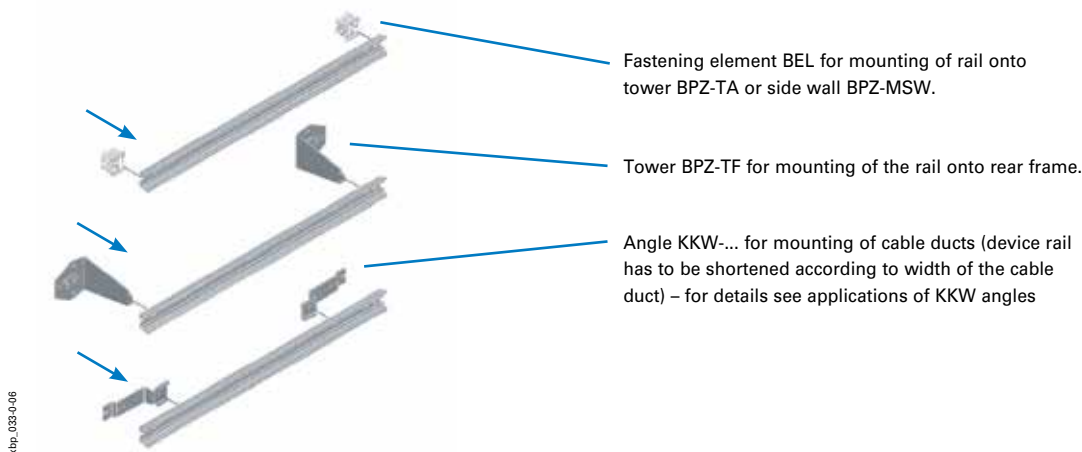
- For mounting of the Installation devices
- Material: Aluminium
- Scope of delivery: 1 device rail

Dimensions (mm)

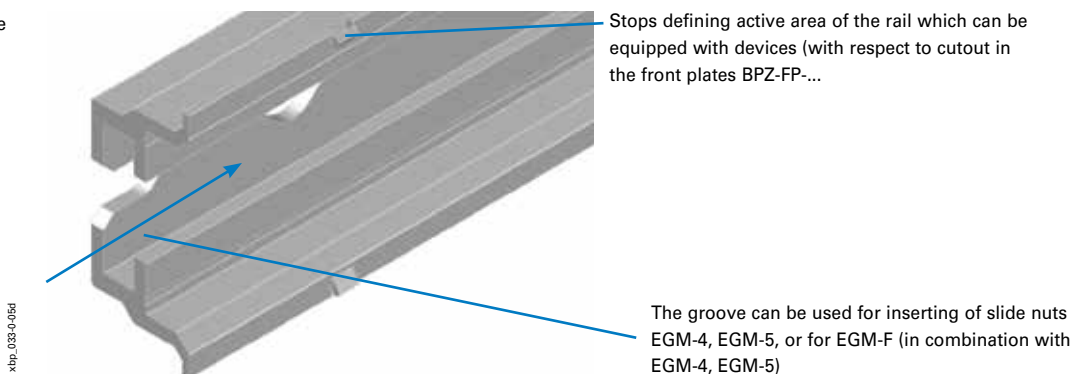
Type	Outside dimensions		
	Height	Width A	Depth
BPZ-DINR13-400	35	288	15
BPZ-DINR24-600	35	488	15
BPZ-DINR35-800	35	688	15
BPZ-DINR46-1000	35	888	15
BPZ-DINR57-1200	35	1088	15



Holes for mounting of cable duct angles KKW

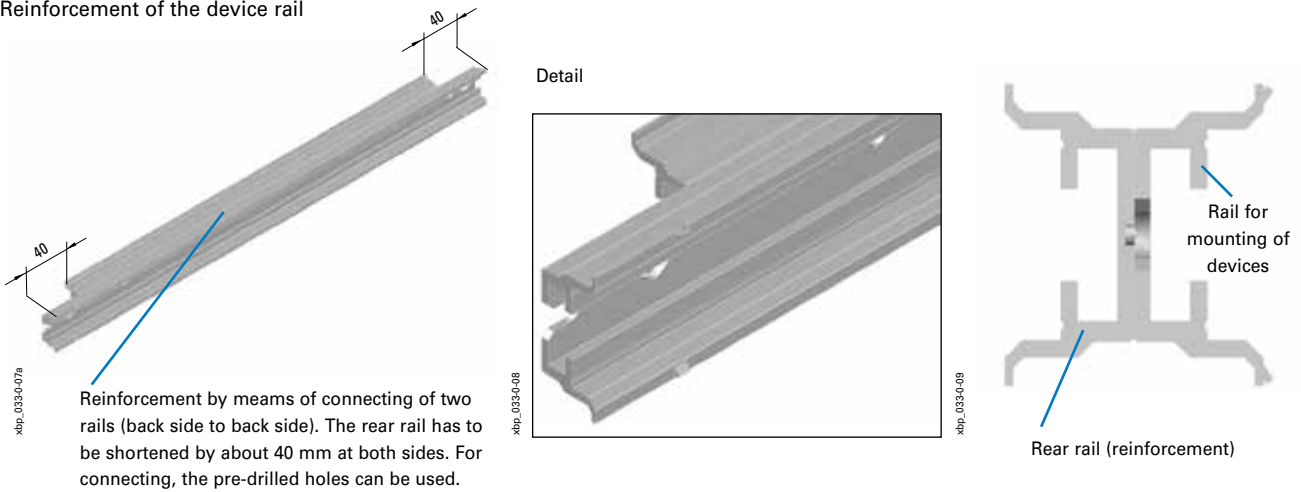


Detail of device rail profile



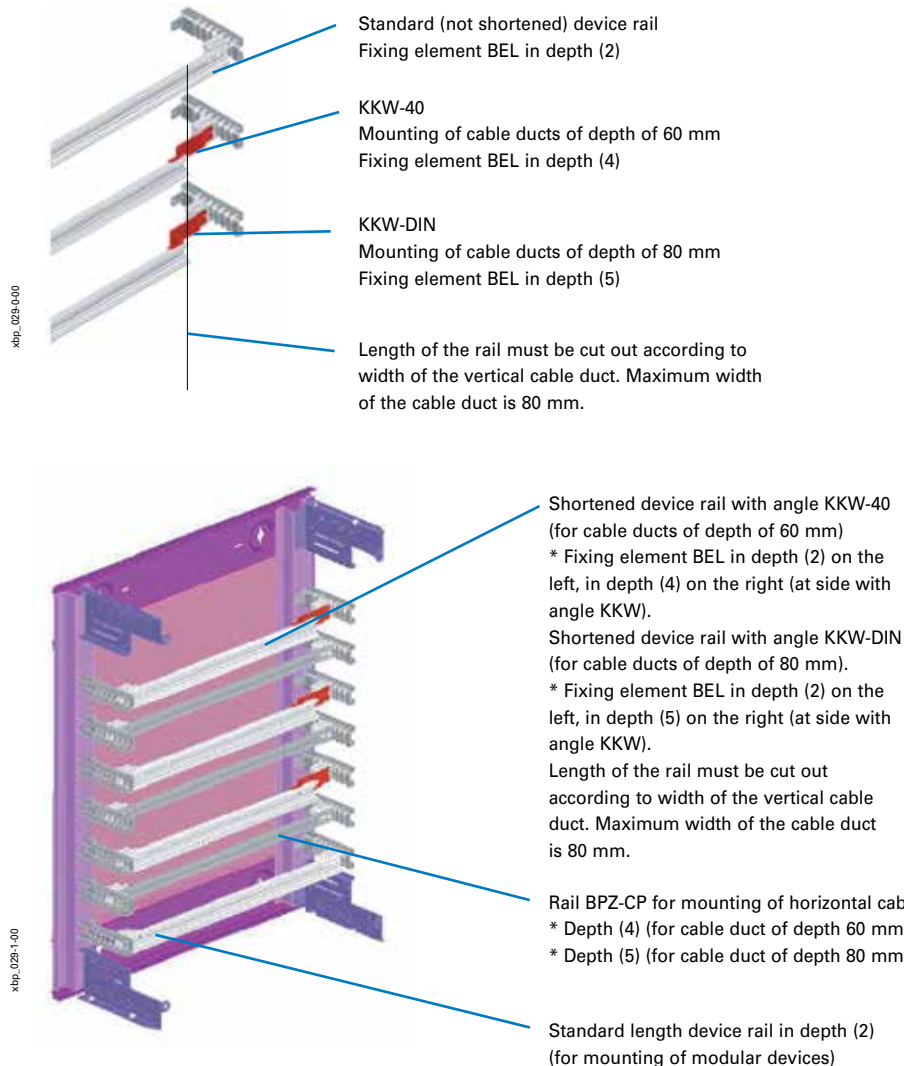
Device rails, BPZ-DINR

Reinforcement of the device rail



Cable duct angles, KKW

- For mounting cable ducts featuring a depth of 60 mm (KKW-40) or 80 mm (KKW-DIN)
- Material: Sheet steel, zinc-coated
- Scope of delivery: 1 cable duct angle

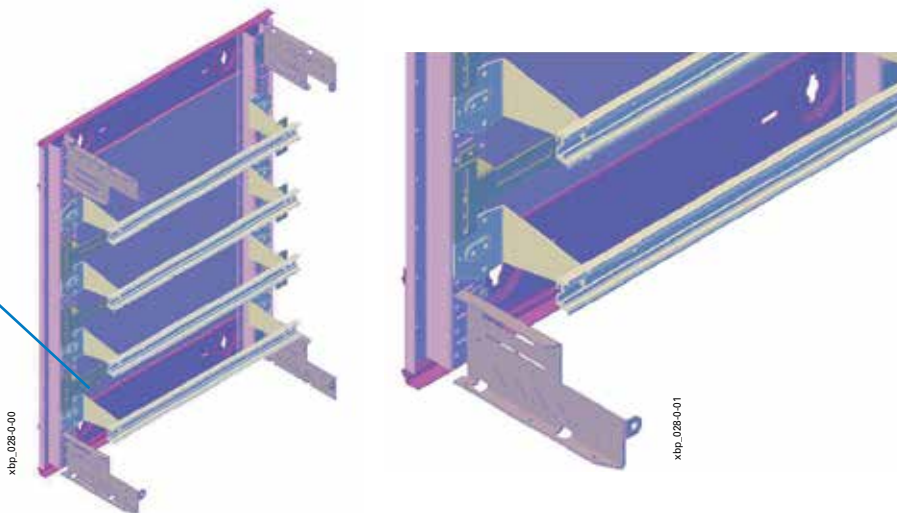


Fixing elements for cable duct, BPZ-CDB

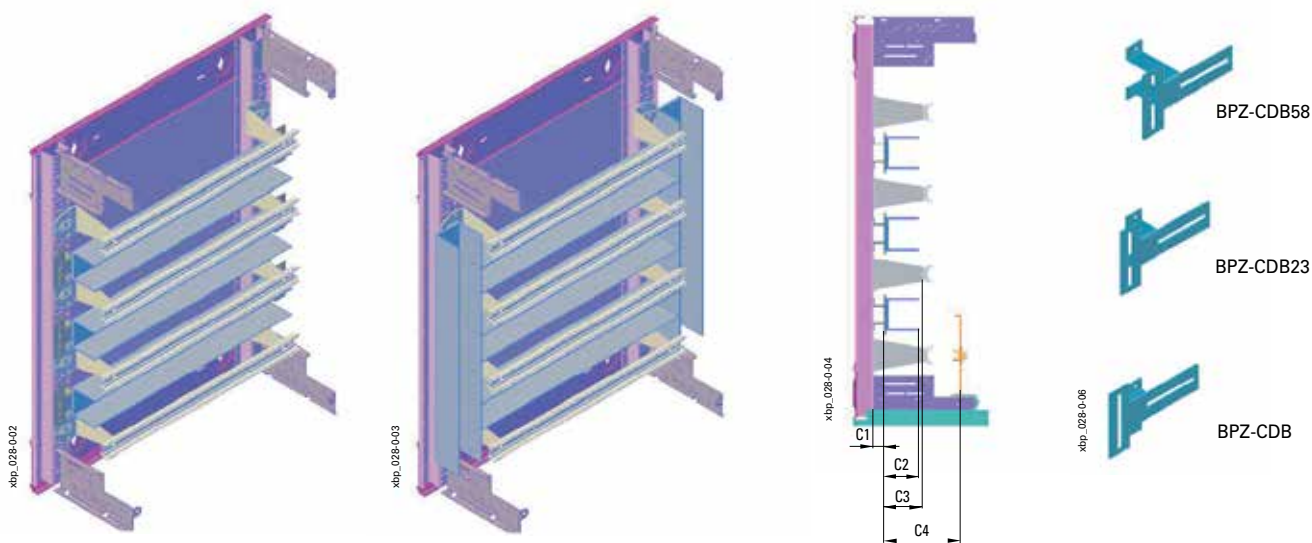
- For mounting cable ducts featuring a depth of 80 mm (BPZ-CDB), 60 mm (BPZ-CDB23) or 40 mm (BPZ-CDB58) for surface-mounted or floor-standing distribution boards
- For board width 400, 600 mm
- For larger widths fixing elements BPZ-CDB./CP are used
- Material: Sheet steel, zinc-coated
- Scope of delivery: 2 fixing elements, fixing material

Detail of mounting and applications

Cable duct fixing elements BPZ-CDB. Mounting onto rear frame (only for surface-mounted and floor-standing boards). A type is chosen according to height of the cable duct.



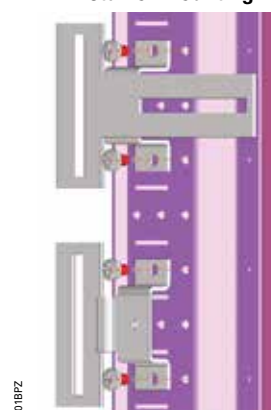
Fixing elements BPZ-CDB equipped with cable ducts (for board of width of 400, 600 mm)



Dimensions (mm)

Type	Fixing element height	Recommended height of the cable duct	Maximum height of the vertical cable duct	Maximum height of the horizontal cable duct
	C1	C2	C3	C4
BPZ-CDB	8	80	85	150
BPZ-CDB23	23	60	70	135
BPZ-CDB58	58	40	40	100

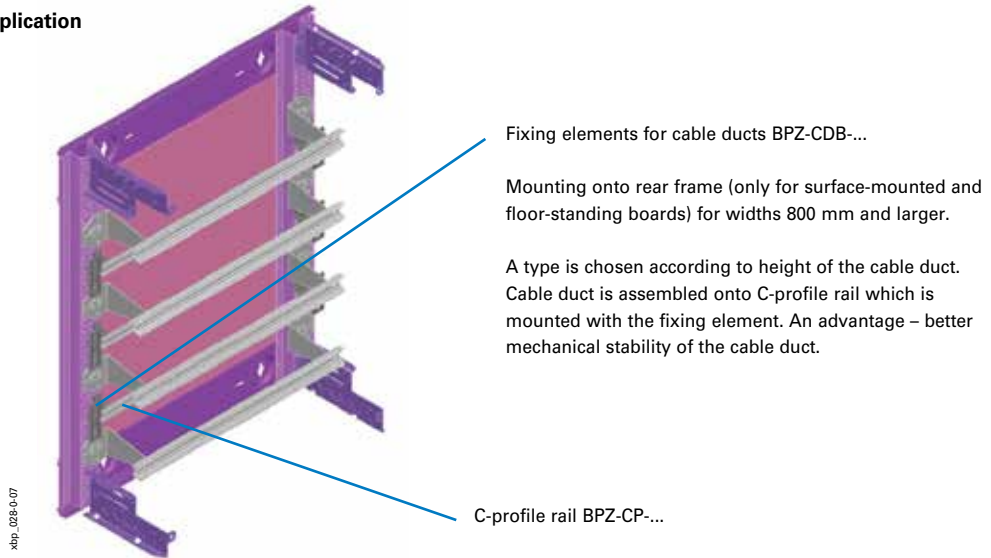
Detail of mounting



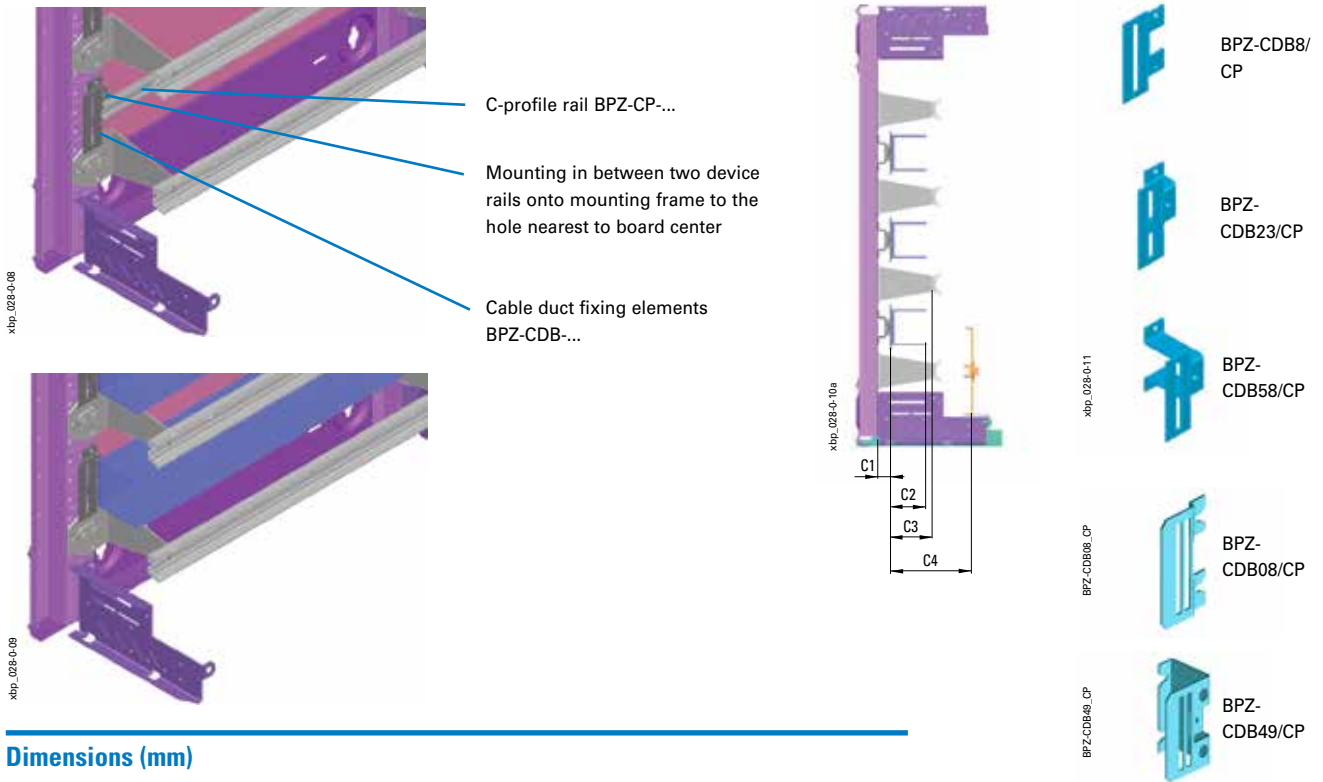
Fixing elements for cable duct, BPZ-CDB../CP

- For mounting cable ducts featuring a depth of 80 mm (BPZ-CDB8/CP respectively BPZ-CDB08/CP), 60 mm (BPZ-CDB23/CP) or 40 mm (BPZ-CDB49/CP respectively BPZ-CDB58/CP) for surface-mounted or floor-standing distribution boards
- For board with 600 to 1200 mm
- Fixing elements are supplemented with rails BPZ-CP
- Material: Sheet steel, zinc-coated
- Scope of delivery: 2 fixing elements, fixing material

Detail of mounting and application



Fixing elements BPZ-CDB equipped with cable ducts (for board of width of 800 to 1200 mm)



Dimensions (mm)

Type	Fixing element height	Recommended height of the cable duct	Maximum height of the vertical cable duct	Maximum height of the horizontal cable duct
BPZ-CDB8/CP	C1	C2	C3	C4
BPZ-CDB08/CP	7	80	85	150
BPZ-CDB23/CP	24	60	70	135
BPZ-CDB49/CP	49	40	45	105
BPZ-CDB58/CP	54	40	40	100

wa_v01318, v07115, v10319



Distribution Boards

Distribution Boards

• Chapter 0	
Table of Contents	Page 1
• Chapter 1	
Field distribution boards protection class II	Page 2
1.1 Surface-mounted field distribution board EWK-G., IP31	Page 3
• Chapter 2	
Enclosures / switchgear cabinets for installation system EP	Page 6
2.1 Surface-mounted distribution board BP-O-...-EP-W, IP31	Page 8
2.2 Surface-mounted distribution board BPM-O-...-EP, IP55	Page 12
2.3 Floor-standing distribution board BPM-F-...-EP, IP55	Page 17
• Chapter 3	
EP installation system - standard modules / mounting kits	Page 22
3.1 EP installation system - standard modules / Fitting-kits, Width 250 mm	Page 24
3.2 EP installation system - standard modules / Fitting-kits, Width 500 mm	Page 28
3.3 EP installation system - standard modules / Fitting-kits, Width 750 mm	Page 32
3.4 EP installation system - standard modules / Fitting-kits, Technical data	Page 34
• Chapter 4	
EP installation system - general accessories	Page 41
• Chapter 5	
Enclosures / switchgear cabinets for installation system Profi+	Page 54
5.1 Surface-mounted distribution board BP-O-..., IP30 (pre-assembled)	Page 56
5.2 Surface-mounted distribution board BP-O-..., IP30 (flat-pack, grey)	Page 60
5.3 Surface-mounted distribution board BP-O-..., IP30 (flat-pack, white)	Page 64
5.4 Surface-mounted distribution board BPM-O-..., IP55	Page 87
5.5 Flush-mounted distribution board BP(A/M)-U-3S-..., IP30/IP43/IP54	Page 97
5.6 Floor-standing distribution board BP-F-..., IP30	Page 111
5.7 Distribution boards for special applications, BP-MN / BP-VF	Page 122
5.8 Floor-standing distribution board BPM-F-..., IP55	Page 127
5.9 Shared compartments inside distribution boards BP(M)-O, BP(M)-F	Page 139
• Chapter 6	
Profi+ installation system - components for interior fitting	Page 144
6.1 Front plates, blind and with 45mm cut-out for DIN-rail devices	Page 146
6.2 Mounting kits for Moulded Case Circuit Breaker	Page 154
6.3 Mounting kits for Fuse Switch Disconnectors	Page 172
6.4 Mounting kits for BZM, Dumeco and QSA	Page 178
6.5 Mounting kits for Earthing and Neutral conductors	Page 179
6.6 Mounting plates for universal fixing of different components	Page 182
6.7 Mounting kits for Energy Meters and various metering equipment	Page 190
• Chapter 7	
Profi+ installation system - general accessories	Page 197
• Chapter 8	
General accessories xEnergy Basic	Page 218
• Chapter 9	
Overall technical data xEnergy Basic	Page 238
• Chapter 10	
Verification of temperature rise by testing - selection of reference examples	Page 243

System Overview

Power Distribution Blocks (distributor assembly terminal blocks)

- Prepared for reliable and fast connections inside the switchboard
- Installation on modular rail or mounting plate
- Screw-terminal connections

1-phase types



3-/4-phase types



4-phase busbar system (easy to connect)

- Connection to the vertical busbar from the back, outgoing distribution in the front
- Installation with special brackets or directly on mounting plate
- For 600 / 800 mm wide compartments
- Snap-in connections



Modular busbar system SASY 60i

- 1- up to 5-phase systems realizable
- Prepared mounting kits for horizontal installation
- Vertical integration in separate compartment possible



Outputs L1/L2/L3 / N / Width (mm)

Type
Designation

Article No.

Units per
package**4 phase distribution busbar, BPZ-KB-12/250, BPZ-KB-24/250**

- Prepared for a quick and easy wiring by means of plug-in contacts
- 63 A max. rated current per outlet

wa_vt04816, wa_vt16514

6 / 12 / 233
12 / 24 / 422BPZ-KB-12/250
BPZ-KB-24/250184977 1
289971 1**Fixing brackets for distribution busbar BPZ-KB-xx/250**

- Suitable for mounting in the 400 mm (BPZ-KB-12/250) and 600/800 mm (BPZ-KB-24/250) wide compartment inside Profi+ installation system (for EP separate brackets available)

vt28817



1 pair

BPZ-BR/KB24

102477 1

Colour / Length

Type
Designation

Article No.

Units per
package**Flexible Connector for 4 phase Busbar, BPZ-P**

vt18705

6 mm²

10 mm²black / 120 mm
blue / 120 mm
black / 320 mm
blue / 320 mm
black / 120 mm
blue / 120 mm
black / 320 mm
blue / 320 mmBPZ-P/L-6/120
BPZ-P/N-6/120
BPZ-P/L-6/320
BPZ-P/N-6/320
BPZ-P/L-10/120
BPZ-P/N-10/120
BPZ-P/L-10/320
BPZ-P/N-10/320102692 10
102693 10
102696 10
102697 10
102694 10
102695 10
102698 10
102699 10Cross section (mm²)Type
Designation

Article No.

Units per
package**Connector with Insulated Crimp, BPZ-P/C**

wa_vt15114, wa_vt15014, wa_vt15214

1.5 - 2.5
4 - 6
6 - 10BPZ-P/C-1.5/2.5
BPZ-P/C-4/6
BPZ-P/C-6/10178396 1
102700 1
178397 1

Rated current (A) / Output Terminals

Type
Designation

Article No.

Units per
package

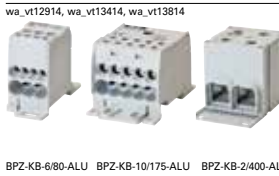
1 pole Terminal Blocks, BPZ-KB

- Mounting onto DIN-rail and mounting plate



80 / 6	BPZ-KB-4/80	289969	1
125 / 6	BPZ-KB-6/125	102714	1
125 / 8	BPZ-KB-2/8/125	178398	1
160 / 6	BPZ-KB-6/160	289970	1
160 / 11	BPZ-KB-2/11/160	178399	1
175 / 10	BPZ-KB-10/175	102715	1
250 / 11	BPZ-KB-11/250	289967	1
400 / 2	BPZ-KB-2/400	178401	1
400 / 6	BPZ-KB-6/400	178400	1
400 / 11	BPZ-KB-11/400	102713	1

- Mounting onto DIN-rail and mounting plate, type aluminium



80 / 6	BPZ-KB-6/80-ALU	102702	1
125 / 6	BPZ-KB-6/125-ALU	102703	1
160 / 6	BPZ-KB-6/160-ALU	102704	1
175 / 1	BPZ-KB-1/175-ALU	102709	1
175 / 10	BPZ-KB-10/175-ALU	102707	1
250 / 11	BPZ-KB-11/250-ALU	102705	1
400 / 1	BPZ-KB-1/400-ALU	102710	1



400 / 2	BPZ-KB-2/400-ALU	178403	1
400 / 6	BPZ-KB-6/400-ALU	178402	1
400 / 11	BPZ-KB-11/400-ALU	102706	1
800 / 2	BPZ-KB-1/2/800-ALU	102712	1
800 / 2	BPZ-KB-2/2/800-ALU	102711	1
1100 / 2	BPZ-KB-2/1100-ALU	178404	1

Dimensions LxWxH (mm) / Suitable for

Type
Designation

Article No.

Units per
package

Terminal Link for 1 pole Terminal Block, BPZ-CL



7x65x25 / Art.-No. 289967	BPZ-CL-65/25	102720	10
9x70x30 / Art.-No. 102713	BPZ-CL-70/30	102721	10

Connection Bar 27 mm for 1 pole Terminal Block, BPZ-CB



16x44x14 / Art.-No. 102714	BPZ-CB-44/14	102722	10
----------------------------	--------------	--------	----

Rated current (A) / Inputs / Outputs	Type Designation	Article No.	Units per package
--------------------------------------	------------------	-------------	-------------------

3 pole Terminal Block, BPZ-KB/6/175

Mounting onto DIN-rail and mounting plate, type aluminium

wa_vt13514



175 / 1 / 6	BPZ-KB-6/175	102717	1
-------------	--------------	--------	---

Mounting onto DIN-rail and mounting plate, type aluminium

175 / 1 / 6	BPZ-KB-6/175-ALU	102708	1
-------------	------------------	--------	---

4 pole Terminal Blocks, BPZ-KB

wa_vt16114



125 / 1x(L1/L2/L3/N) / 7x(L1/L2/L3), 10xN	BPZ-KB-8/125	289968	1
---	--------------	--------	---

125	BPZ-KB-9/125	102718	1
-----	--------------	--------	---

125	BPZ-KB-13/125	102719	1
-----	---------------	--------	---

wa_vt14314



160 / 1x(L1/L2/L3/N) / 11x(L1/L2/L3/N)	BPZ-KB-11/160	102716	1
--	---------------	--------	---

WA_VT04921_R, WA_VT05121_R, WA_VT05221_R,
WA_VT05321_R



100 / 7x per pole (either in- or output)	BPZ-KB-4-7/100	EP-500557	1
--	----------------	-----------	---

125 / 12x per pole (either in- or output)	BPZ-KB-4-12/125	EP-500558	1
---	-----------------	-----------	---

125 / 15x per pole (either in- or output)	BPZ-KB-4-15/125	EP-500559	1
---	-----------------	-----------	---

160 / 12x per pole (either in- or output)	BPZ-KB-4-12/160	EP-500560	1
---	-----------------	-----------	---

Max. Rated current (A) / Cross section (mm²) /
Number of connection points

Type
Designation



Article No.

Units per
package

Compact distribution blocks BPZ-KC-...-ALU

Mounting onto DIN-rail

For copper as well as aluminium conductors

 <p>wa_w03818, wa_w03718, wa_w03918</p>	82 / 16 / 1	BPZ-KC-1/16-ALU	195327	10
	82 / 16 / 1	BPZ-KC-1/16N-ALU	195328	10
	82 / 16 / 1	BPZ-KC-1/16PE-ALU	195329	10
 <p>wa_vt04118, wa_vt04018, wa_vt04218</p>	135 / 35 / 1	BPZ-KC-1/35-ALU	195330	10
	135 / 35 / 1	BPZ-KC-1/35N-ALU	195331	10
	135 / 35 / 1	BPZ-KC-1/35PE-ALU	195332	10
 <p>wa_vt05818, wa_vt05418, wa_vt05618</p>	270 / 35 / 2	BPZ-KC-2/35-ALU	195333	10
	270 / 35 / 2	BPZ-KC-2/35N-ALU	195334	10
	270 / 35 / 2	BPZ-KC-2/35PE-ALU	195335	10
 <p>wa_vt04418, wa_vt04318, wa_vt04518,</p>	160 / 50 / 1	BPZ-KC-1/50-ALU	195336	10
	160 / 50 / 1	BPZ-KC-1/50N-ALU	195337	10
	160 / 50 / 1	BPZ-KC-1/50PE-ALU	195338	10
 <p>wa_vt05818, wa_vt05718, wa_vt05918</p>	320 / 50 / 2	BPZ-KC-2/50-ALU	195339	10
	320 / 50 / 2	BPZ-KC-2/50N-ALU	195340	10
	320 / 50 / 2	BPZ-KC-2/50PE-ALU	195342	10
 <p>wa_vt04718, wa_vt04618, wa_vt04818</p>	250 / 95 / 1	BPZ-KC-1/95-ALU	195343	10
	250 / 95 / 1	BPZ-KC-1/95N-ALU	195344	10
	250 / 95 / 1	BPZ-KC-1/95PE-ALU	195345	10
 <p>wa_vt06118, wa_vt06018, wa_vt06218</p>	500 / 95 / 2	BPZ-KC-2/95-ALU	195346	10
	500 / 95 / 2	BPZ-KC-2/95N-ALU	195347	10
	500 / 95 / 2	BPZ-KC-2/95PE-ALU	195348	10
 <p>wa_vt05018, wa_vt04918, wa_vt05118</p>	320 / 150 / 1	BPZ-KC-1/150-ALU	195349	10
	320 / 150 / 1	BPZ-KC-1/150N-ALU	195350	10
	320 / 150 / 1	BPZ-KC-1/150PE-ALU	195351	10
 <p>wa_vt03618, wa_vt03518, wa_vt06318</p>	640 / 150 / 2	BPZ-KC-2/150-ALU	195352	5
	640 / 150 / 2	BPZ-KC-2/150N-ALU	195353	5
	640 / 150 / 2	BPZ-KC-2/150PE-ALU	195354	5
 <p>wa_vt03418, wa_vt05218, wa_vt05318</p>	425 / 240 / 1	BPZ-KC-1/240-ALU	195355	3
	425 / 240 / 1	BPZ-KC-1/240N-ALU	195356	3
	425 / 240 / 1	BPZ-KC-1/240PE-ALU	195357	3
 <p>wa_vt06518, wa_vt06418, wa_vt06618</p>	850 / 240 / 2	BPZ-KC-2/240-ALU	195358	3
	850 / 240 / 2	BPZ-KC-2/240N-ALU	195359	3
	850 / 240 / 2	BPZ-KC-2/240PE-ALU	195360	3

Description	Type Designation	Article No.	Units per package
-------------	------------------	-------------	-------------------

Wall mounting Bracket Set, for Floor Standing Board

- For IP30(IP31)/IP55 Floor Standing Board
- One set includes 2 wall-mounting angles plus mounting accessories

vt28610



BPZ-WW

142474

1

Wall mounting Bracket Set, for Moisture Proof-Surface Mounting Installation Board

- For IP55 Surface Mounting Boards
- For fixing the enclosures on the wall
- Vertical or horizontal mounting
- One set includes 4 wall-mounting angles plus mounting accessories

vt03010



Zinc coated steel sheet 3 mm

WFB-SET-CS

112639

1

Bright stainless steel 2 mm

BPZ-WFB-INOX

EP-500555

1

Lifting-Eye Bolt, BPZ-LE

vt1698



BPZ-LE

286770

1

Flask with Brush Applicator, BPZ-CPS, PAINT-RAL

vt09405



RAL 7035, 30ml

BPZ-CPS-7035

286771

1

RAL 9016, 30ml

PAINT-RAL9016

288948

1

Cross section (mm ²) / Length (mm)	Type Designation	Article No.	Units per package
--	------------------	-------------	-------------------

Door Grounding Set, BFZ-DES

v119305



6 / 300	BFZ-DES	101665	1
---------	---------	--------	---

Fixing Material, EGM, KM-6

wa_v138713



Fixing cage (set of 100 pieces)	EGM-F	275417	1
Slide nut M4 (set of 100 pieces)	EGM-4	275418	1
Slide nut M5 (set of 100 pieces)	EGM-5	275419	1

Description	Type Designation	Article No.	Units per package
-------------	------------------	-------------	-------------------

Replacement Hinge, BPZ-MH

- Replacement for all IP43/IP44-Enclosures (type BPA-...) and IP54/IP55-Enclosures (type BPM-...)
- 1 hinge bracket incl. hinge pin

v115518



Replacement Hinge	BPZ-MH	166660	1
-------------------	--------	--------	---

Thread / Length (mm)	Type Designation	Article No.	Units per package
----------------------	------------------	-------------	-------------------

Screws, BPZ-S-...

- M5x12 (standard screw of the board)
- M4x8 (flange plate)

wa_v110103



M5 / 12	BPZ-S-M5x12	120719	20
M4 / 8	BPZ-S-M4x8	120720	20

Description	Type Designation	Article No.	Units per package
-------------	------------------	-------------	-------------------

Locks, 61005

- Type SS-KS-61005: lock and key set 61005
- Number of locks required per door in the technic part!

wa_vt36813



Lock and key set 61005	SS-KS-61005	275422	1
Metal key 61005	MS-61005	275423	1
Plastic key 61005	KS-61005	275424	1

Replacement Clip-down Handle for standard half-cylinder length 40 mm

1-point locking with tongue

vt12108



Clip-down handle Softline short	BPZ-SH	116690	1
Clip-down handle Softline long	BPZ-SH-L-1P	187864	1

3-point locking with rod drive

Clip-down handle Softline long	BPZ-SH-L	131560	1
--------------------------------	----------	--------	---

Clip-down Handle to retrofit for half-cylinder length 50 mm

vt15418



1-point locking with tongue	BPZ-SH-L-1P/OLU	187865	1
3-point locking with rod	BPZ-SH-L-3P/OLU	187866	1

Locks, BPZ-LOCK

- Replacement part for all enclosures with rotary door lock or dual-bit lock
- Number of locks required per door in the technic part!

For IP30(IP31)/IP54(IP55), Surface-Mounting and Floor-Standing Distribution Boards

vt12010



Dual-bit 3 mm inclusive 1 key	BPZ-LOCK/DBIT3	178405	1
Simultaneous lock cylinder inclusive 2 keys	BPZ-LOCK	102467	1

Ease-of-use Rotary Handle

- Rotary handle suitable for standardized profile half-cylinders
- With integrated indication of lock position
- Available as a retro-fitting or complete set
- Handle made of high-grade shock-proof zinc die-casting
- Retrofit kit used in combination with BPZ-LOCK/DBIT3
- For standardized door cut-outs sized 22.5 x 20.4 mm
- Colour dusty grey RAL 7037, powder-coated
- Profile half-cylinder to be ordered separately

For IP30/IP55, Surface-Mounting and Floor-Standing Distribution Boards

vt12110



Retro-fitting set	PHZ-A-ADD-ON	133106	1
-------------------	--------------	--------	---

Description	Type Designation	Article No.	Units per package
-------------	------------------	-------------	-------------------

Locks, BPZ-LOCK

For IP30, Surface-Mounting and Floor-Standing Distribution Boards, lock SH6

vt11808



Lock SH6	BPZ-LOCK/SH6METAL	116913	1
Key SH6	BPZ-KEY/SH6	116674	1

For IP30, Surface-Mounting and Floor-Standing Distribution Boards, lock DH

vt11908



Lock DH	BPZ-LOCK/DHMETAL	116914	1
Key DH	BPZ-KEY/DH	116676	1

Profile Half-Cylinder for diverse Handles

- For rotary and clip-down ease-of-use handles
- Lock-cylinder finish according to DIN 18252 and DIN EN 1303
- Profile half-cylinder 10/30 with pin closures made of nickel silver
- 8-fold adjustable lock bit, 5 pairs of pins
- Identical or different locking
- Number of locks required per door in the technic part!

vt33610



1 Key included, keyed alike	PHZ-E10/30-GS	138574	1
3 Keys included, keyed different	PHZ-E10/30-VS	138575	1

Spare Key for Profile Half-Cylinder

- For profile half-cylinder PHZ-E...-GS

vt12510



Identical locking	KEY-E10/30-GS	138576	4
-------------------	---------------	--------	---

No. of Photo / Version	Type Designation	Article No.	Units per package
------------------------	------------------	-------------	-------------------

Lock inserts for mounting in Clip-down handles

wa_nt08913 , vt11608, vt11708



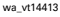

1	7 mm square lock insert	NWS-SHE/4K/7	255306	1
2	8 mm square lock insert	NWS-SHE/4K/8	255307	1
3	7 mm triangular lock insert	NWS-SHE/3K/7	255304	1
4	8 mm triangular lock insert	NWS-SHE/3K/8	255305	1
5	Two-way key bit, 3 mm pin	NWS-SHE/DLB/DN3	255309	1
6	Two-way key bit, 5 mm pin	NWS-SHE/DLB/DN5	255310	1
7	Daimler-Benz insert	NWS-SHE/DB	255308	1
8	Screw driver-type insert	NWS-SHE/SZ	255311	1
9	Lock SH6	BPZ-LOCK/SH6	116673	1
10	Lock DH	BPZ-LOCK/DH	116675	1
-	Z-Lock incl. 2 keys	BPZ-LOCK/Z	120766	1
-	Volkswagen E1 insert	BPZ-LOCK/VW-E1	122693	1

Keys for Lock Inserts



N8299

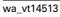



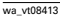

1	7mm square lock insert	NWS-SL/4K/7	255314	1
2	8mm square lock insert	NWS-SL/4K/8	255315	1
3	7mm triangular lock insert	NWS-SL/3K/7	255312	1
4	8mm triangular lock insert	NWS-SL/3K/8	255313	1
5	Two-way key bit, 3mm pin	NWS-SL/DLB/3	255317	1
6	Two-way key bit, 5mm pin	NWS-SL/DLB/5	255318	1
7	Daimler-Benz	NWS-SL/DB	255316	1
-	Key SH6	BPZ-KEY/SH6	116674	1
-	Key DH	BPZ-KEY/DH	116676	1

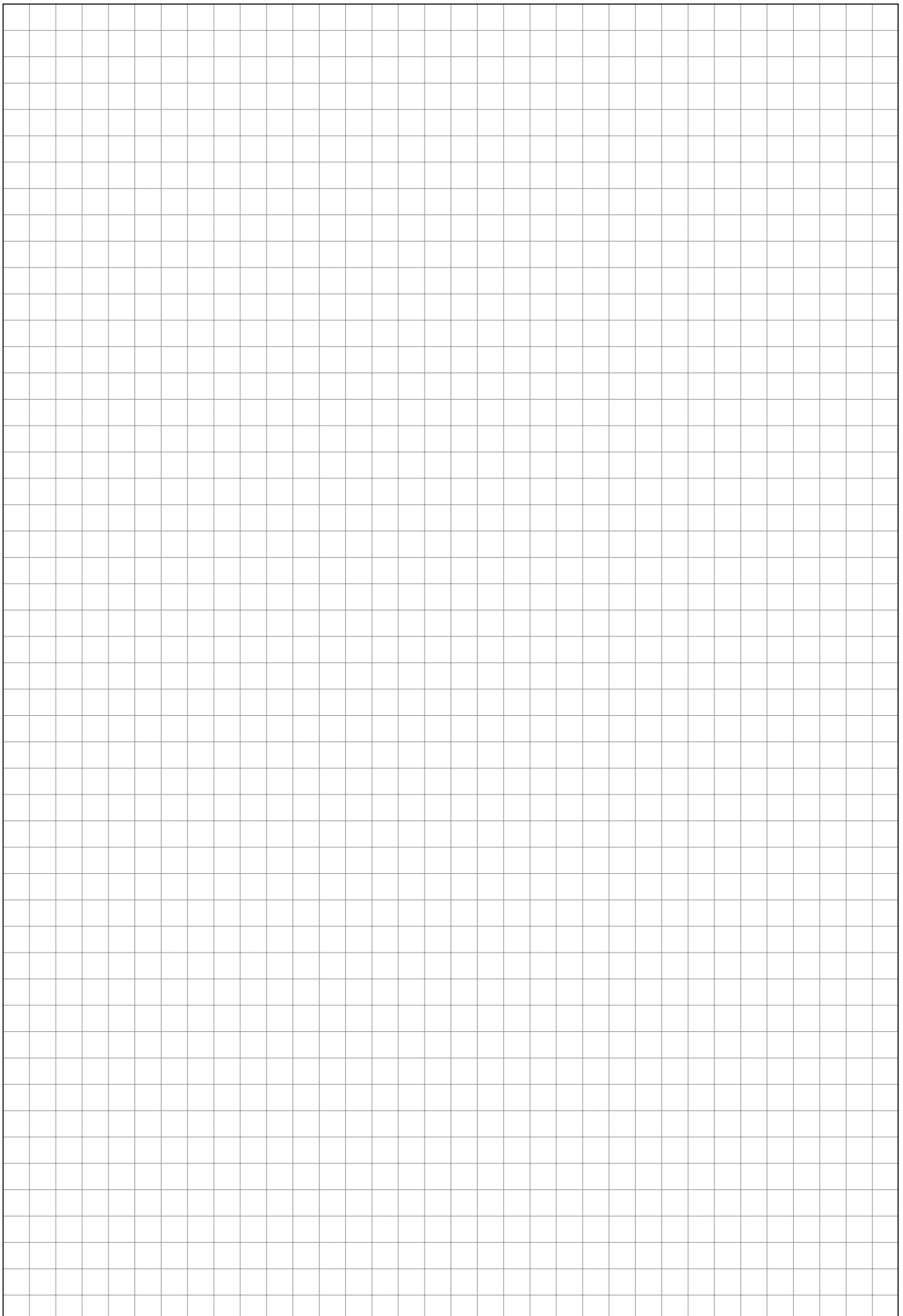
Module units (MU)	Type Designation	Article No.	Units per package
Inscription Strip LAB-BAR			
 	LAB-BAR_13TE	107884	10
	LAB-BAR_24TE	107901	10
	LAB-BAR_35TE	107903	10
	LAB-BAR_46TE	107906	10
	LAB-BAR_57TE	107909	10

Length (m)	Type Designation	Article No.	Units per package
Holder for Inscription Strip universal, LAB-BAR			
 	LAB-BAR_1000	107911	10
	LAB-BAR_3000	107912	10

Description	Type Designation	Article No.	Units per package
Accessories Inscription Strip LAB			
Enclosure leaves for the inscription strips, LAB-TAPE_A4			
 	LAB-TAPE_A4_BLANK	107952	10
	LAB-TAPE_A4_PRINT	107953	10

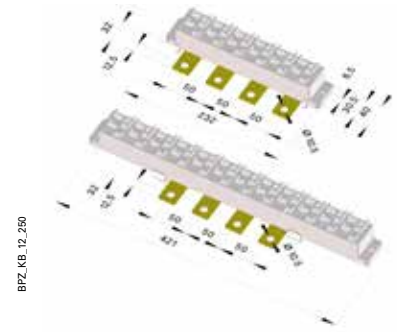
Size A4	Type Designation	Article No.	Units per package
Circuit Diagram Bag, LAB-BAG_A4			
 	LAB-BAG_A4	107913	1

A4 panel format, self-adhesive	Type Designation	Article No.	Units per package
XAB4 Circuit Diagram Box			
 	XAB4	283482	1



4-Phase Busbar, BPZ-KB-12/250, BPZ-KB-24/250

- It is a 250 A busbar intended to supply a row of modular devices
- Max. current rating for every output is 63 A
- Outputs: 6 or 12 outputs per phase, neutral wiring 12 or 24
- Each connector automatically locks, which guarantees high security
- No risk of direct contact, according to IP20
- Dimensions:
BPZ-KB-12/250 (BxHxT) 232x40x50 mm
BPZ-KB-24/250 (BxHxT) 422x40x50 mm
- Scope of delivery: 1 pc. 4-Phase busbar



Mounting Elements for 4-Phase Busbar, BPZ-BR/KB24

- For mounting a 4-phase busbar onto an NZM-mounting plate or onto mounting pillars in back
- Material: Sheet steel, zinc-coated
- Scope of delivery: 2 Mounting elements, fixing material

Flexible Connector for 4-Phase Busbar, BPZ-P

- For connecting a 4-phase busbar
- In 6 mm² or 10 mm²
- Length: 120 or 320 mm
- Scope of delivery: 1 flexible connector

1-pole terminal block, BPZ-KB

- For copper conductors
- Mounting onto device rail and/or mounting plate
- UL-listed
- Time-saving on wiring
- Saves 80 % on space used
- Modular construction allowing to build systems of 1 to 4 poles by using several blocks
- Scope of delivery: 1 1-pole terminal block

Technical data

Type	Rated current	Degree of protection	Inputs (mm ²)	Torque (Nm)	Outputs (mm ²)	Torque (Nm)	Connection	Dimensions L x B x H (mm)
BPZ-KB-4/80	80 A	IP20	3x 2.5-25 (solid wire) 3x 2.5-16 (fine wire)	1.5 1.5	4x 2.5-6	0.8	-	65.5 x 27 x 47
BPZ-KB-6/125	125 A	IP20	1x 10-35 1x 2.5-25 (solid wire) 1x 2.5-16 (fine wire)	3.5 2 2	6x 2.5-16	2	-	74 x 27 x 46
BPZ-KB-2/8/125	125 A	IP10	2x 10-35 (solid wire) 2x 2.5-25 (solid wire) 2x 6-25 (fine wire) 2x 1.5-16 (fine wire)	8 2 8 2	6x 1.5-16 (solid wire) 6x 1.5-10 (fine wire)	2	-	91 x 27 x 51
BPZ-KB-6/160	160 A	IP20	1x 10-70 (solid wire) 1x 10-50 (fine wire)	4	6x 2.5-25 (solid wire) 6x 2.5-16 (fine wire)	2	Lateral parallel connection possible with Cu 16 x 5 mm	92 x 35 x 50
BPZ-KB-2/11/160	160 A	IP10	2x 25-70 (solid wire) 3x 2.5-25 (solid wire) 2x 16-50 (fine wire) 3x 1.5-16 (fine wire)	9 2 9 2	8x 1.5-16 (solid wire) 8x 1.5-10 (fine wire)	2 2	-	91 x 36 x 51
BPZ-KB-10/175	175 A	IP20	1x 10-70 (solid wire) 1x 10-50 (fine wire)	4	10x 2.5-16 (solid wire) 10x 2.5-10 (fine wire)	2	-	71 x 45 x 43
BPZ-KB-11/250	250 A	IP10	1x 35-120 (solid wire) 3x 35-95 (fine wire)	19	2x 2.5-35 (solid wire) 2x 2.5-25 (fine wire) 5x 2.5-16 4x 2.5-10	3.5 3.5 2 2	-	95.4 x 44.5 x 49

BPZ-KB-...-ALU

- For copper as well as aluminium conductors
- Mounting onto device rail and/or mounting plate
- UL-listed
- Time-saving on wiring
- Saves 80 % on space used
- Modular construction allowing to build systems of 1 to 4 poles by using several blocks
- Scope of delivery: 1 1-pole terminal block

Technical data

Type	Rated current	Degree of protection	Inputs (mm ²)	Torque (Nm)	Outputs (mm ²)	Torque (Nm)	Connection	Dimensions L x B x H (mm)
BPZ-KB-2/400	400 A	IP10	1x 95-240 (solid wire) 1x 70-185 (fine wire)	26	2x 50-120 (solid wire) 2x 35-95 (fine wire)	19	-	103 x 44.4 x 50
BPZ-KB-6/400	400 A	IP10	1x 95-240 (solid wire) 1x 70-185 (fine wire)	26	6x 10-50 (solid wire) 6x 6-35 (fine wire)	3.5	-	103 x 44.4 x 50
BPZ-KB-11/400	400 A	IP10	1x 95-185 (solid wire) 1x 95-150 (fine wire)	26	2x 2.5-35 (solid wire) 2x 2.5-25 (fine wire) 5x 2.5-16 4x 2.5-10	3.5 3.5 2 2	-	95.4 x 44.5 x 49
BPZ-KB-6/80-ALU	80 A (Cu) 63 A (Al)	IP20	3x 2.5-25 (solid wire) 3x 2.5-16 (fine wire)	1.5	4x 2.5-6	0.8	-	65.5 x 27 x 47
BPZ-KB-6/125-ALU	125 A (Cu) 100 A (Al)	IP20	1x 10-35 1x 2.5-25 (solid wire) 1x 2.5-16 (fine wire)	3.5 2 2	6x 2.5-16	2	-	74 x 27 x 46
BPZ-KB-6/160-ALU	160 A (Cu) 135 A (Al)	IP20	1x 10-70 (solid wire) 1x 10-50 (fine wire)	4	6x 2.5-25 (solid wire) 6x 2.5-16 (fine wire)	2	Lateral parallel connection possible with Cu 16 x 5 mm	92 x 35 x 50
BPZ-KB-1/175-ALU	175 A (Cu) 135 A (Al)	IP20	1x 2.5-70 (solid wire) 1x 2.5-50 (fine wire)	4	1x 2.5-70 (solid wire) 1x 2.5-50 (fine wire)	4	-	72.5 x 25.4 x 49.4
BPZ-KB-10/175-ALU	175 A (Cu) 135 A (Al)	IP20	1x 10-70 (solid wire) 1x 10-50 (fine wire)	4	10x 2.5-16 (solid wire) 10x 2.5-10 (fine wire)	2	-	71 x 45 x 43
BPZ-KB-11/250-ALU	250 A (Cu) 200 A (Al)	IP10	1x 35-120 (solid wire) 1x 35-95 (fine wire)	19	2x 2.5-35 (solid wire) 2x 2.5-25 (fine wire) 5x 2.5-16 4x 2.5-10	3.5 3.5 2 2	-	95.4 x 44.5 x 49
BPZ-KB-1/400-ALU	400 A (Cu) 300 A (Al)	IP10	1x 35-240 (solid wire) 1x 16-185 (fine wire)	20	1x 35-240 (solid wire) 1x 16-185 (fine wire)	3.5 3.5 2 2	Lateral parallel connection possible with Cu 9 x 4 mm - max. 20 x 10 mm	145.5 x 39 x 80.5
BPZ-KB-2/400-ALU	400 A (Cu) 350 A (Al)	IP10	1x 95-240 (solid wire) 1x 70-185 (fine wire)	26	2x 50-120 (solid wire) 2x 35-95 (fine wire)	19	-	103 x 44.4 x 50
BPZ-KB-6/400-ALU	400 A (Cu) 350 A (Al)	IP10	1x 95-240 (solid wire) 1x 70-185 (fine wire)	26	6x 10-50 (solid wire) 6x 6-35 (fine wire)	3.5	-	103 x 44.4 x 50
BPZ-KB-11/400-ALU	400 A (Cu) 300 A (Al)	IP10	1x 95-185 (solid wire) 1x 95-150 (fine wire)	26	2x 2.5-35 (solid wire) 2x 2.5-25 (fine wire) 5x 2.5-16 4x 2.5-10	3.5 3.5 2 2	-	95.4 x 44.5 x 49
BPZ-KB-1/2/800-ALU	800 A (Cu) 630 A (Al)	IP10	1x 35-300 (solid wire) 1x 25-240 (fine wire) 9 x 4mm - 50 x 10 mm Cu	25	1x 35-300 (solid wire) 1x 25-240 (fine wire)	25	Lateral parallel connection possible with Cu 9 x 4 mm - max. 24 x 10 mm	145 x 72 x 80.5
BPZ-KB-2/2/800-ALU	800 A (Cu) 630 A (Al)	IP10	2x 35-300 (solid wire) 2x 25-240 (fine wire) 9 x 4 mm - 24 x 10 mm Cu	25	2x 35-300 (solid wire) 2x 25-240 (fine wire) 9 x 4 mm - 24 x 10 mm Cu	25	-	145 x 72 x 80.5
BPZ-KB-2/1100-ALU	1100 A (Cu) 900 A (Al)	IP10	1x 95-500	80	2x 50-300 (solid wire) 1x 1.5-16 (solid wire) 2x 50-240 (solid wire) 1x 1.5-10 (fine wire)	50 3 50 3	-	202 x 90 x 107

Connection latch for 1-pole terminal block BPZ-CL

- BPZ-CL-65/25 suitable for BPZ-KB-11/250
- BPZ-CL-70/35 suitable for BPZ-KB-11/400
- Dimensions (LxBxH)
BPZ-CL-65/25: 7 x 65 x 25 mm
BPZ-CL-70/35: 9 x 70 x 30 mm
- Scope of delivery: 1 connection latch

Connection bar 27 mm for 1-pole terminal blocks BPZ-CB

- Suitable for BPZ-KB-6/125
- Dimensions (LxBxH): 16 x 44 x 14 mm
- Scope of delivery: 1 connection bar

3-pole Terminal Block BPZ-KB-6/175

- Mounting onto DIN-rail and mounting plate
- UL-listed
- Time-saving on wiring
- Saves 80% of space used
- Modular construction allowing to build systems of 1 to 4 poles by using several blocks
- Protection class: IP20
- Max. operating voltage 1000V AC, 1500V DC
- Scope of delivery: 1 3-pole terminal block

Technical data

	BPZ-KB-6/175	Torque (Nm)
Rated current	175 A	
Input (mm ²)	1 x 16-70	6-10
Outputs (mm ²)	6 x 2.5-16	3-4
Connection	–	
Dimensions L x B x H (mm)	80 x 71.5 x 42.5	

3-pole Terminal Block BPZ-KB-6/175-ALU

- Aluminium design
- Mounting onto DIN-rail and mounting plate
- UL-listed
- Time-saving on wiring
- Saves 80% of space used
- Modular construction allowing to build systems of 1 to 4 poles by using several blocks
- Protection class: IP20
- Max. operating voltage 1000V AC, 1500V DC
- Scope of delivery: 1 3-pole terminal block

Technical data

	BPZ-KB-6/175-ALU	Torque (Nm)
Rated current	175 A / 125 A	
Input (mm ²)	1 x 16-70	6-10
Outputs (mm ²)	6 x 2.5-16	3-4
Connection	–	
Dimensions L x B x H (mm)	80 x 71.5 x 42.5	

4-pole Terminal Blocks, BPZ-KB

- Mounting onto DIN-rail and mounting plate
- Max. operating voltage
BPZ-KB-9/125: 690V AC/DC
BPZ-KB-13/125: 690V AC/DC
BPZ-KB-8/125: 1000C AC/1500V DC
BPZ-KB-11/160: 1000C AC/1500V DC
- Scope of delivery: 1 4-pole terminal block

Technical data

	BPZ-KB-8/125	Torque (Nm)	BPZ-KB-9/125	Torque (Nm)	BPZ-KB-13/125	Torque (Nm)	BPZ-KB-11/160	Torque (Nm)
Rated current (Cu / Al)	125 A		125 A		125 A		160 A	
Input (mm ²)	1 x 6-35	1.5	2 x 6-35	1.5	2 x 6-35	1.5	1 x 10-35	3.5-5
Outputs (mm ²)	3-polig x (5 x 1.5-6 / 2 x 4-16)	0.8-1.5	7 x 2.5-10	1.5	9 x 1.5-10	1.5	3 x 6-35	3.5-5
Connection	1-polig x (4 x 1.5-10 / 6 x 4-16)	1.5			2 x 1.5-10	1.5	3 x 6-25	3.5-5
Dimensions L x B x H (mm)	74.5 x 98 x 49		102 x 89 x 48		103 x 126 x 48		87 x 162 x 50	

Lifting-Eye Bolt, BPZ-LE

- For transporting the distribution board by crane, high-lift truck, etc.
- To be mounted onto the top of the floor-standing distribution board
- Max. static tensile force: 1400 N each, total 3800 N
- Weight: approx. 0.2 kg
- Scope of delivery: 4 Lifting-eye bolts

Flask with Brush Applicator, BPZ-CPS, PAINT-RAL

- For sanding scratches in RAL 7035, 9010 or 9016
- Scope of delivery: 1 flask with brush applicator

Compact distribution blocks BPZ-KC-...-ALU

- For copper as well as aluminium conductors
- Used as link between copper- and aluminum conductors
- Mounting onto device rail
- Degree of protection IP20 (finger-safe finish is guaranteed)
- Cross sections of connections 16 - 240 mm²
- Available as standard grey colour, with blue cover for Neutral and as PE-terminal in colour yellow/green (housing/cover)
- Scope of delivery: 1-pole distribution block acc.to MOQ (depending on frame size)

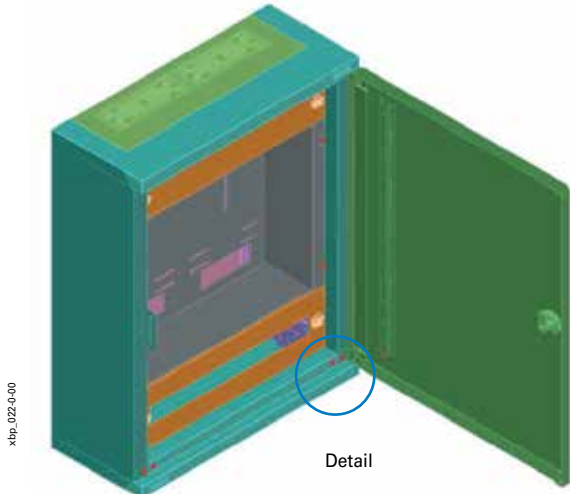
Technical data

Type	Rated current Cu / Al	Number Inputs / Outputs	Cross section mm ²		Rated voltage	Colour	Dimensions L x B x H [mm]	Minimum order quantity (MOQ) [pcs.]
			solid wire	fine wire with sleeve				
BPZ-KC-1/16-ALU	82 A / 75 A	1/1	1.5 - 16	1.5 - 10	1000 V AC/DC	Grey	45 x 14 x 40	10
BPZ-KC-1/16N-ALU	82 A / 75 A	1/1	1.5 - 16	1.5 - 10	1000 V AC/DC	Blue	45 x 14 x 40	10
BPZ-KC-1/16PE-ALU	82 A / 75 A	1/1	1.5 - 16	1.5 - 10	1000 V AC/DC	Yellow/Green	45 x 14 x 40	10
BPZ-KC-1/35-ALU	135 A / 120 A	1/1	2.5 - 35	2.5 - 25	1000 V AC/DC	Grey	46 x 16 x 40	10
BPZ-KC-1/35N-ALU	135 A / 120 A	1/1	2.5 - 35	2.5 - 25	1000 V AC/DC	Blue	46 x 16 x 40	10
BPZ-KC-1/35PE-ALU	135 A / 120 A	1/1	2.5 - 35	2.5 - 25	1000 V AC/DC	Yellow/Green	46 x 16 x 40	10
BPZ-KC-2/35-ALU	2x 135 A / 2x 120 A	2/2	2.5 - 35	2.5 - 25	1000 V AC/DC	Grey	46 x 27 x 40	10
BPZ-KC-2/35N-ALU	2x 135 A / 2x 120 A	2/2	2.5 - 35	2.5 - 25	1000 V AC/DC	Blue	46 x 27 x 40	10
BPZ-KC-2/35PE-ALU	2x 135 A / 2x 120 A	2/2	2.5 - 35	2.5 - 25	1000 V AC/DC	Yellow/Green	46 x 27 x 40	10
BPZ-KC-1/50-ALU	160 A / 145 A	1/1	2.5 - 50	2.5 - 35	1000 V AC/DC	Grey	49 x 18 x 43	10
BPZ-KC-1/50N-ALU	160 A / 145 A	1/1	2.5 - 50	2.5 - 35	1000 V AC/DC	Blue	49 x 18 x 43	10
BPZ-KC-1/50PE-ALU	160 A / 145 A	1/1	2.5 - 50	2.5 - 35	1000 V AC/DC	Yellow/Green	49 x 18 x 43	10
BPZ-KC-2/50-ALU	2x 160 A / 2x 145 A	2/2	2.5 - 50	2.5 - 35	1000 V AC/DC	Grey	49 x 30 x 43	10
BPZ-KC-2/50N-ALU	2x 160 A / 2x 145 A	2/2	2.5 - 50	2.5 - 35	1000 V AC/DC	Blue	49 x 30 x 43	10
BPZ-KC-2/50PE-ALU	2x 160 A / 2x 145 A	2/2	2.5 - 50	2.5 - 35	1000 V AC/DC	Yellow/Green	49 x 30 x 43	10
BPZ-KC-1/95-ALU	250 A / 220 A	1/1	6 - 95	6 - 70	1000 V AC/DC	Grey	84 x 24 x 51	10
BPZ-KC-1/95N-ALU	250 A / 220 A	1/1	6 - 95	6 - 70	1000 V AC/DC	Blue	84 x 24 x 51	10
BPZ-KC-1/95PE-ALU	250 A / 220 A	1/1	6 - 95	6 - 70	1000 V AC/DC	Yellow/Green	84 x 24 x 51	10
BPZ-KC-2/95-ALU	2x 250 A / 2x 220 A	2/2	6 - 95	6 - 70	1000 V AC/DC	Grey	84 x 41 x 51	10
BPZ-KC-2/95N-ALU	2x 250 A / 2x 220 A	2/2	6 - 95	6 - 70	1000 V AC/DC	Blue	84 x 41 x 51	10
BPZ-KC-2/95PE-ALU	2x 250 A / 2x 220 A	2/2	6 - 95	6 - 70	1000 V AC/DC	Yellow/Green	84 x 41 x 51	10
BPZ-KC-1/150-ALU	320 A / 290 A	1/1	25 - 150	25 - 120	1000 V AC/DC	Grey	84 x 30 x 54	10
BPZ-KC-1/150N-ALU	320 A / 290 A	1/1	25 - 150	25 - 120	1000 V AC/DC	Blue	84 x 30 x 54	10
BPZ-KC-1/150PE-ALU	320 A / 290 A	1/1	25 - 150	25 - 120	1000 V AC/DC	Yellow/Green	84 x 30 x 54	10
BPZ-KC-2/150-ALU	2x 320 A / 2x 290 A	2/2	25 - 150	25 - 120	1000 V AC/DC	Grey	84 x 50 x 54	5
BPZ-KC-2/150N-ALU	2x 320 A / 2x 290 A	2/2	25 - 150	25 - 120	1000 V AC/DC	Blue	84 x 50 x 54	5
BPZ-KC-2/150PE-ALU	2x 320 A / 2x 290 A	2/2	25 - 150	25 - 120	1000 V AC/DC	Yellow/Green	84 x 50 x 54	5
BPZ-KC-1/240-ALU	425 A / 380 A	1/1	35 - 240	35 - 185	1000 V AC/DC	Grey	106 x 36 x 65	3
BPZ-KC-1/240N-ALU	425 A / 380 A	1/1	35 - 240	35 - 185	1000 V AC/DC	Blue	106 x 36 x 65	3
BPZ-KC-1/240PE-ALU	425 A / 380 A	1/1	35 - 240	35 - 185	1000 V AC/DC	Yellow/Green	106 x 36 x 65	3
BPZ-KC-2/240-ALU	2x 425 A / 2x 380 A	2/2	35 - 240	35 - 185	1000 V AC/DC	Grey	106 x 59 x 65	3
BPZ-KC-2/240N-ALU	2x 425 A / 2x 380 A	2/2	35 - 240	35 - 185	1000 V AC/DC	Blue	106 x 59 x 65	3
BPZ-KC-2/240PE-ALU	2x 425 A / 2x 380 A	2/2	35 - 240	35 - 185	1000 V AC/DC	Yellow/Green	106 x 59 x 65	3

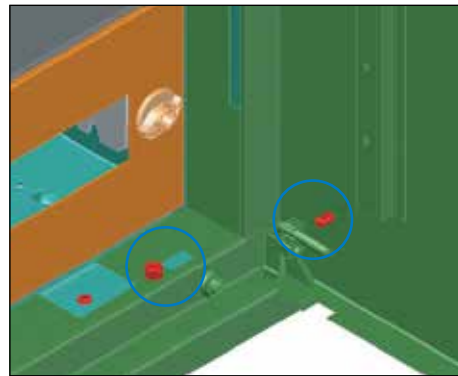
Door grounding set, BFZ-DES

- In scope of delivery of all Profi+ doors
- For grounding the door
- Length: 300 mm
- Cross section: 6 mm²
- Scope of delivery: 1 grounding wire with pre-fitted eyelets, fixing material

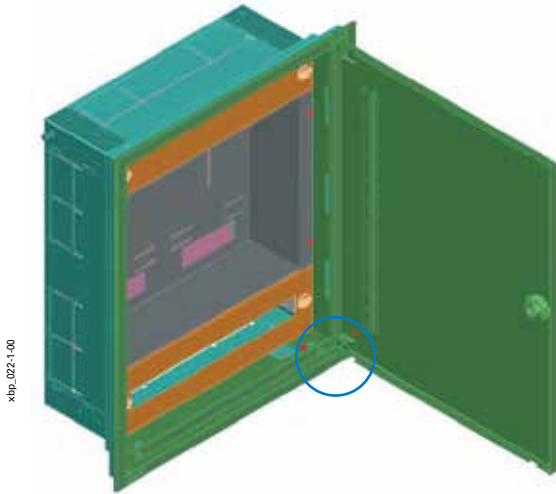
Surface mounted boards BP-O



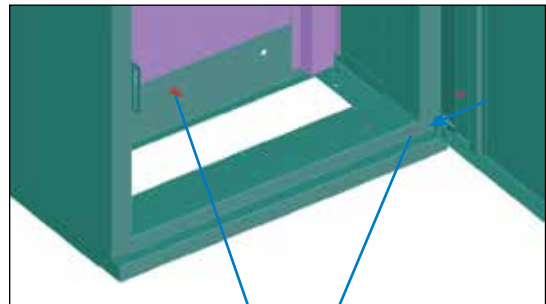
Detail



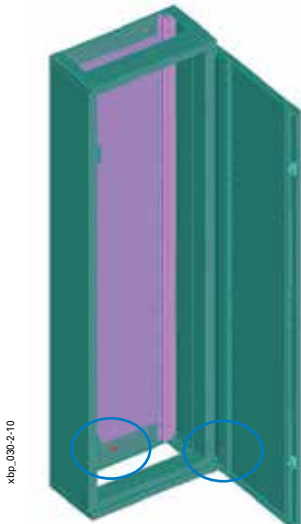
Flush mounted boards BP-U



Detail



Floor-standing boards BP-F



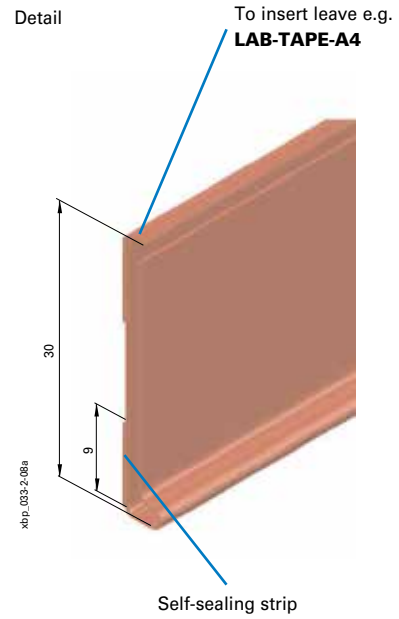
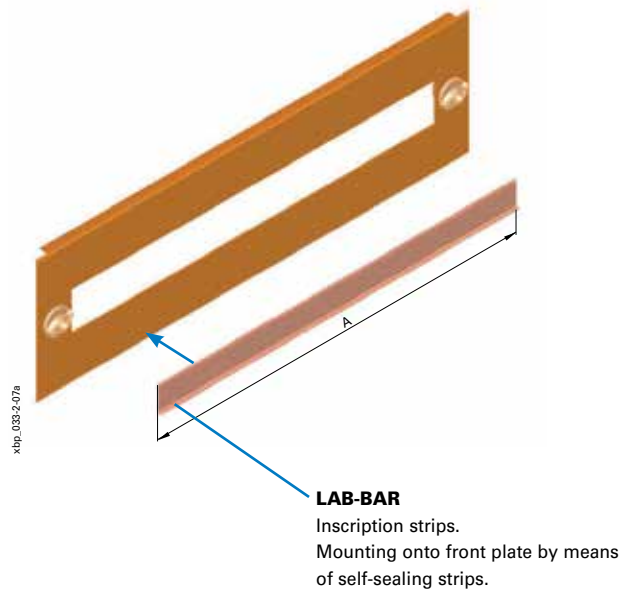
Connection of earthing set for door.
Nut in the board frame and earthing
screw on the door

Central earthing screw in rear side of
a board

Inscription strips, LAB-BAR

Dimensions [mm]

Type	Number of modules MU	Length A
LAB-BAR_13TE	13	228
LAB-BAR_24TE	24	420
LAB-BAR_46TE	46	805
LAB-BAR_57TE	57	998
LAB-BAR_1000	-	1000
LAB-BAR_3000	-	3000



Enclosure leaves LAB-TAPE_A4 for the inscription strips LAB-BAR

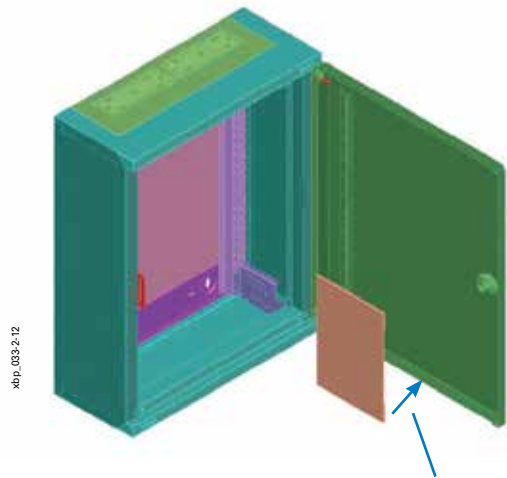
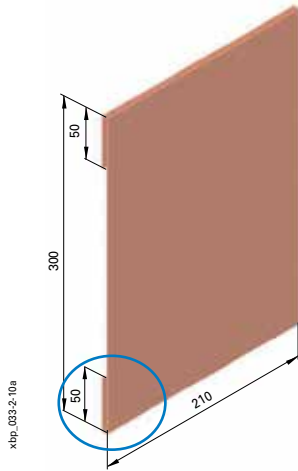
Technical data

Empty:
1 sheet contains 8 strips of width 27 mm and length 297 mm.
Perforated for easy-to-remove.

Imprinted:	
For device width	Numerical print
1,5 MU	1-30
2 MU	1-24
3 MU	1-5
4 MU	1-4

Circuit diagram bag, LAB-BAG_A4

Dimensions [mm]



Circuit diagram bag LAB-BAG
can be fitted onto a door via two
self-sealing strips at the top and
bottom

wa_v01318, v07115, v10319



Distribution Boards

Distribution Boards

• Chapter 0	
Table of Contents	Page 1
• Chapter 1	
Field distribution boards protection class II	Page 2
1.1 Surface-mounted field distribution board EWK-G., IP31	Page 3
• Chapter 2	
Enclosures / switchgear cabinets for installation system EP	Page 6
2.1 Surface-mounted distribution board BP-O-...-EP-W, IP31	Page 8
2.2 Surface-mounted distribution board BPM-O-...-EP, IP55	Page 12
2.3 Floor-standing distribution board BPM-F-...-EP, IP55	Page 17
• Chapter 3	
EP installation system - standard modules / mounting kits	Page 22
3.1 EP installation system - standard modules / Fitting-kits, Width 250 mm	Page 24
3.2 EP installation system - standard modules / Fitting-kits, Width 500 mm	Page 28
3.3 EP installation system - standard modules / Fitting-kits, Width 750 mm	Page 32
3.4 EP installation system - standard modules / Fitting-kits, Technical data	Page 34
• Chapter 4	
EP installation system - general accessories	Page 41
• Chapter 5	
Enclosures / switchgear cabinets for installation system Profi+	Page 54
5.1 Surface-mounted distribution board BP-O-..., IP30 (pre-assembled)	Page 56
5.2 Surface-mounted distribution board BP-O-..., IP30 (flat-pack, grey)	Page 60
5.3 Surface-mounted distribution board BP-O-..., IP30 (flat-pack, white)	Page 64
5.4 Surface-mounted distribution board BPM-O-..., IP55	Page 87
5.5 Flush-mounted distribution board BP(A/M)-U-3S-..., IP30/IP43/IP54	Page 97
5.6 Floor-standing distribution board BP-F-..., IP30	Page 111
5.7 Distribution boards for special applications, BP-MN / BP-VF	Page 122
5.8 Floor-standing distribution board BPM-F-..., IP55	Page 127
5.9 Shared compartments inside distribution boards BP(M)-O, BP(M)-F	Page 139
• Chapter 6	
Profi+ installation system - components for interior fitting	Page 144
6.1 Front plates, blind and with 45mm cut-out for DIN-rail devices	Page 146
6.2 Mounting kits for Moulded Case Circuit Breaker	Page 154
6.3 Mounting kits for Fuse Switch Disconnectors	Page 172
6.4 Mounting kits for BZM, Dumeco and QSA	Page 178
6.5 Mounting kits for Earthing and Neutral conductors	Page 179
6.6 Mounting plates for universal fixing of different components	Page 182
6.7 Mounting kits for Energy Meters and various metering equipment	Page 190
• Chapter 7	
Profi+ installation system - general accessories	Page 197
• Chapter 8	
General accessories xEnergy Basic	Page 218
• Chapter 9	
Overall technical data xEnergy Basic	Page 238
• Chapter 10	
Verification of temperature rise by testing - selection of reference examples	Page 243

System Overview

Eaton Online Katalog - find product details quickly and efficiently!

You can find comprehensive up-to-date product information at <http://ecat.eaton.com/catalog>

Online Catalogue

Lookup

You can search by keywords, product names, article numbers, technical data: The search understands everything and takes you straight to the product you're looking for.

Graphical navigation

Graphical representation of the fields of application and product groups.

Selection aids

Tailored to the typical expert's approach, this search aid helps you quickly find the product you need.

Data sheets

For every article the catalog can generate a technical data sheet, which you can convert to a PDF file for printing or saving with a single click.

Parts lists

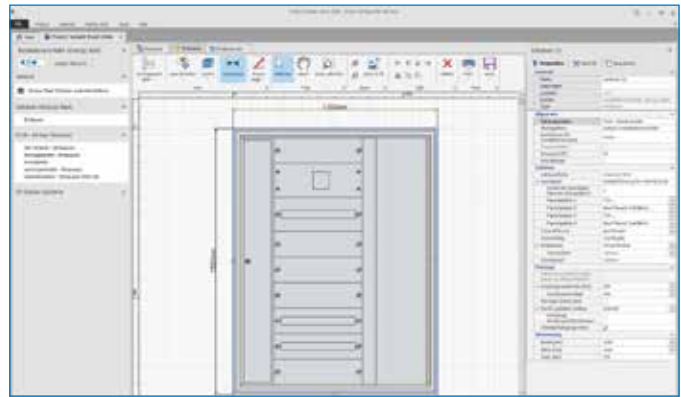
From your search results you can create a parts list that you can then send to your Eaton sales partner as a query.



Parts list, e.g. for queries to Eaton Sales.

Eaton xEnergy Configurator - makes it easy to configure your product!

The Eaton configurator helps you by assembling the switchboard systems by keeping all standards. If you are interested, please contact your local Eaton representative.



Eaton Temperatur Calculator Tool - temperature rise verification by calculation!

Calculating the temperature rise within the switchgear and controlgear assembly: Calculate power loss of all circuits including the incoming conductor on the basis of the rated current. Power loss of the switchgear and controlgear assembly is calculated by adding up the power losses of all circuits (total load current is limited to the rated current of the switchgear and controlgear assembly).



Technical Data

Standards	IEC/EN 61439-1/-2/-3, IEC 62208
Degree of protection	IP2XC (door opened, closed front cover level) IP31 (at least with canopy) IP43 (BPA-U-3S and BP-VF dedicated for outdoor use) IP54 (BPM-U-3S) IP55
Mechanical impact protection	IK08 (IP31/IP43/IP54) IK10 (BP-VF) IK10 (IP55)
Form of separation	up to Form 4b (in combination with Profi+ installation system)
Internal segregation	IPXXB
Rated insulation voltage [Ui]	440 VAC
Rated operational voltage [Ue]	415 VAC
Ambient air temperature	-5°C to +40°C
Place of installation	Indoor use severity A (except BPA-U-3S and BP-VF)
Rated impulse withstand voltage [Uimp]	4 kV
Overvoltage category	III
Pollution degree	3
Protection against electric shock	Protective earthing (protection class I)
Joule integral I ² dt for earthing connection	Type BPM-F / BPM-O
- Base frame M8 earthing bolt @ 1,25mm sheet metal	1,16x10 ⁷ A ² s
- Door M6 earthing bolt @ 1,25mm sheet metal	4,68x10 ⁶ A ² s
Seismic characteristics	IEC/EN 60068-3-3: ground acceleration level AG2 and AG5;
Rated current [Ie]	up to 630A depending on main incomer and used busbar-system
Rated frequency	50 Hz
Rated conditional short-circuit current [Icc]	up to 25/50 kA depending on incoming circuit-breaker and type of cabinet
Rated short-time withstand current [Icw]	depending on used busbar-system like SASY60i, SL630xx etc.
Net configuration	TN-C, TN-C-S, TN-S, TT, IT
Colour	RAL 7035 / RAL 9016
Material of enclosure	Standard sheet-metal (phosphatized and polyester powder-coated) Galvanized parts mainly for interior finish without powder-coating
Dimensions	height: 460 / 760 / 800 / 1060 / 1100 / 1260 / 1400 / 1560 / 1760 / 1910 / 2060 mm width: 350 / 400 / 600 / 800 / 850 / 1000 / 1100 / 1200 / 1350 mm depth: 180 / 240 / 250 / 270 / 300 / 320 / 400 mm

Testing of a low-voltage switchgear assembly under seismic conditions

- The tests carried out to qualify these switchboards are described in the international standard IEC 60068-3-3.
- On the one hand, it is about the functional integrity of the electrical system, as well as external stability during an earthquake.
- The prerequisite for this is that the distribution board is rigidly connected to the building construction. (K-factor 1.5).
- Wall enclosures are fixed at the designated points, floor-standing cabinets are also placed next to a wall and secured with mounting brackets on the top. A free-standing installation in the room is not covered hereby.
- There is no additional equipment required to achieve earthquake resistance.

Test methods:

Sine-sweep acc.to IEC 60068-2-6:2008

Time-history and sine-beat acc.to IEC 60068-2-57:2015

- Testing of the selected equipment under test, in the two horizontal and one vertical axis, was carried out to the appropriate "Required Response Spectrum" (RRS) shown as AG2 and AG5 curves of IEC 60068-3-3. As specified in IEC 60068-3-3, the AG5 spectrum, approximates to the Uniform Building Code (UBC) Zone 4.
- Testing was also carried out in general accordance with IEEE Std 344-2013, IEEE recommended practice for Seismic Qualification of Class 1E Equipment for Nuclear Power Generating Stations. Five "Operating Basis Earthquakes (OBE)" were carried out at AG2 level, followed by a single "Safe Shutdown Earthquake (SSE)" at level AG5.

Classification earthquake protection for xEnergy Basic:

IEC 60068-3-3: ground acceleration level AG2 and AG5; as an orientation, these values are comparable to

- Richter scale magnitude > 7.0
- Uniform Building Code (UBC) Zone 4
- MSK intensity (Medvedev-Sponheur-Karnik corresponds to modified Mercalli Intensity Scale) > IX
- IEEE Std 344-2013 Class 1E (Equipment for Nuclear Power Generating Stations)

A large grid area for taking notes, consisting of many small squares. The grid is approximately 30 columns wide and 60 rows high, providing a structured space for handwritten notes or diagrams.

wa_vt01318, vt07115, vt10319



Distribution Boards

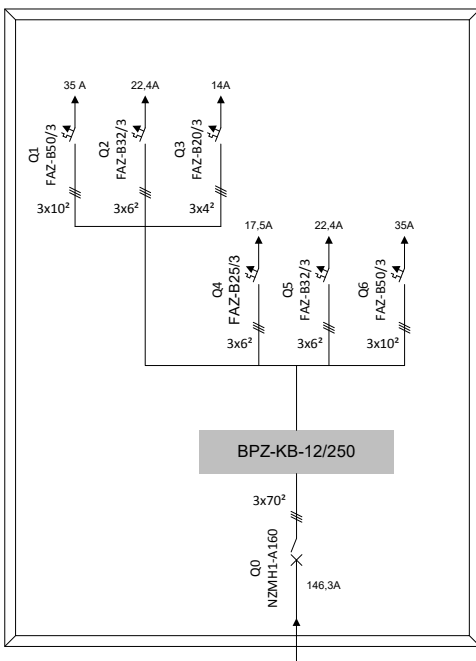
Distribution Boards

- **Chapter 0**
Table of ContentsPage 1
- **Chapter 1**
Field distribution boards protection class IIPage 2
 - 1.1 Surface-mounted field distribution board EWK-G., IP31.....Page 3
- **Chapter 2**
Enclosures / switchgear cabinets for installation system EPPage 6
 - 2.1 Surface-mounted distribution board BP-O-...-EP-W, IP31Page 8
 - 2.2 Surface-mounted distribution board BPM-O-...-EP, IP55Page 12
 - 2.3 Floor-standing distribution board BPM-F-...-EP, IP55Page 17
- **Chapter 3**
EP installation system - standard modules / mounting kitsPage 22
 - 3.1 EP installation system - standard modules / Fitting-kits, Width 250 mmPage 24
 - 3.2 EP installation system - standard modules / Fitting-kits, Width 500 mmPage 28
 - 3.3 EP installation system - standard modules / Fitting-kits, Width 750 mmPage 32
 - 3.4 EP installation system - standard modules / Fitting-kits, Technical dataPage 34
- **Chapter 4**
EP installation system - general accessoriesPage 41
- **Chapter 5**
Enclosures / switchgear cabinets for installation system Profi+Page 54
 - 5.1 Surface-mounted distribution board BP-O-..., IP30 (pre-assembled)Page 56
 - 5.2 Surface-mounted distribution board BP-O-..., IP30 (flat-pack, grey)Page 60
 - 5.3 Surface-mounted distribution board BP-O-..., IP30 (flat-pack, white)Page 64
 - 5.4 Surface-mounted distribution board BPM-O-..., IP55Page 87
 - 5.5 Flush-mounted distribution board BP(A/M)-U-3S-..., IP30/IP43/IP54Page 97
 - 5.6 Floor-standing distribution board BP-F-..., IP30Page 111
 - 5.7 Distribution boards for special applications, BP-MN / BP-VFPage 122
 - 5.8 Floor-standing distribution board BPM-F-..., IP55Page 127
 - 5.9 Shared compartments inside distribution boards BP(M)-O, BP(M)-F.....Page 139
- **Chapter 6**
Profi+ installation system - components for interior fittingPage 144
 - 6.1 Front plates, blind and with 45mm cut-out for DIN-rail devicesPage 146
 - 6.2 Mounting kits for Moulded Case Circuit BreakerPage 154
 - 6.3 Mounting kits for Fuse Switch Disconnectors.....Page 172
 - 6.4 Mounting kits for BZM, Dumeco and QSAPage 178
 - 6.5 Mounting kits for Earthing and Neutral conductorsPage 179
 - 6.6 Mounting plates for universal fixing of different componentsPage 182
 - 6.7 Mounting kits for Energy Meters and various metering equipmentPage 190
- **Chapter 7**
Profi+ installation system - general accessoriesPage 197
- **Chapter 8**
General accessories xEnergy BasicPage 218
- **Chapter 9**
Overall technical data xEnergy BasicPage 238
- **Chapter 10**
Verification of temperature rise by testing - selection of reference examplesPage 243

Temperature rise verification of a switchgear assembly with a single compartment and a rated current not exceeding 630 A according to IEC / EN 61439-1

	Verification by testing acc.to IEC/EN 61439-1 (sub-clause 10.10.2)	Derivation of ratings for similar variants acc.to IEC/EN 61439-1 (sub-clause 10.10.3)
	Characteristics of the tested switchgear combination according to the manufacturer's instructions:	Requirements of switchgear assemblies, which are going to be verified in accordance with the tested assembly:
Rated operational voltage (U_e)	415 VAC	up to 415 VAC
Rated frequency (f_n)	50 Hz	50 Hz / 60 Hz
Rated insulation voltage (U_i)	440 VAC	440 VAC
Pollution degree	3	3
Overvoltage category	III	III
Rated impulse withstand voltage (U_{imp})	4 kV	4 kV
Type of enclosure	BPM-O-400/7	BP(M)-O, BP(M)-F
Degree of protection (outside)	IP55	≤ IP55
(installation level)	IP2XC	IP2XC
Active ventilation	none	none
Type of assembly	Wall-mounted	Wall-mounted / stand-alone
Side-by-side arrangement	no	no
Dimensions of the enclosure (HxWxD)	760x400x270 mm	≥ 760x400x270 mm
Internal separation	none	none
Ambient temperature	35°C	35 °C
Max. permissible temperature inside the enclosure	70°C ($\Delta T = 35$ K)	70 °C ($\Delta T = 35$ K)
Main incomer (MCCB)	Typ NZMH1-A160	Series NZMx1-A... *)
Rated current (I_n)	160 A	up to 160 A
Type of outgoing (MCB/MCCB)	Series FAZ-Bxx/3	Series FAZ, FAZT, FAZ6, PLSM, PLS6, PLS4, CLS6, CLS4, PL6, PL7, PL9, PL10, EM, PXL, mMC
Number of outgoing circuits	6	≥ 6
Rated diversity factor (RDF)	acc.to IEC/EN 61439-2 table 101	acc.to IEC/EN 61439-2 table 101
Conductor cross-sections for rated currents	acc.to IEC/EN 61439-1 table 11	acc.to IEC/EN 61439-1 table 11
Temperature resistance cables (acc.to single-line diagram)	up to 105°C	up to 105°C
Temperature resistance flexibar (acc.to single-line diagram)	up to 125°C	up to 125°C
Calculated power loss (P_v) incl. devices, wiring, busbars, etc.	~ 110 W ($\pm 5\%$)	≤ 110 W
Rated current of the assembly ($I_n A$)	146.3 A	≤ 146.3 A *)
Rated current of the assembly of %	~ 91.5 % of I_n	

Single-line diagram of the assembly with rated current ≤ 160 A:



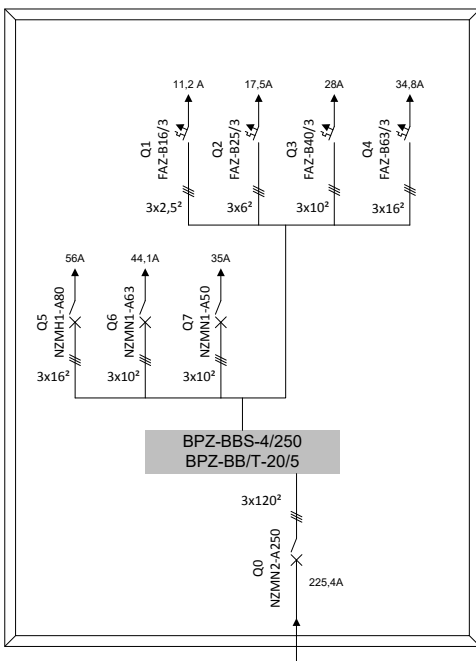
*) Table of rated currents of the assembly with main incomer part of NZMx1-A... series:

MCCB-Typ	Rated current (I_n)	Rated current of the assembly ($I_n A$)	% of I_n
NZMx1-A...	20	20	100% (no derating necessary)
	25	25	
	32	32	
	40	40	
	50	50	
	63	63	
	80	80	
	100	100	
	125	122	97.60%
	160	146.3	91.50%

Temperature rise verification of a switchgear assembly with a single compartment and a rated current not exceeding 630 A according to IEC / EN 61439-1

	Verification by testing acc.to IEC/EN 61439-1 (sub-clause 10.10.2)	Derivation of ratings for similar variants acc.to IEC/EN 61439-1 (sub-clause 10.10.3)
	Characteristics of the tested switchgear combination according to the manufacturer's instructions:	Requirements of switchgear assemblies, which are going to be verified in accordance with the tested assembly:
Rated operational voltage (U _e)	415 VAC	up to 415 VAC
Rated frequency (f _n)	50 Hz	50 Hz / 60 Hz
Rated insulation voltage (U _i)	440 VAC	440 VAC
Pollution degree	3	3
Overvoltage category	III	III
Rated impulse withstand voltage (U _{imp})	4 kV	4 kV
Type of enclosure	BPM-O-600/10	BP(M)-O, BP(M)-F
Degree of protection (outside)	IP55	≤ IP55
(installation level)	IP2XC	IP2XC
Active ventilation	none	none
Type of assembly	Wall-mounting	Wall-mounting / stand-alone
Side-by-side arrangement	no	no
Dimensions of the enclosure (HxWxD)	1060x600x270 mm	≥ 1060x600x270 mm
Internal separation	none	none
Ambient temperature	35 °C	35 °C
Max. permissible temperature inside the enclosure	70 °C (ΔT = 35 K)	70 °C (ΔT = 35 K)
Main incomer (MCCB)	Typ NZMN2-A250	Series NZMx2-A... / NZMx2-VE/AE... *)
Rated current (I _n)	250 A	up to 250 A
Type of outgoing (MCB/MCCB)	Series FAZ-Bxx/3 Series NZMx1-A..	Series FAZ, FAZT, FAZ6, PLSM, PLS6, PLS4, CLS6, CLS4, PL6, PL7, PL9, PL10, EM, PXL, mMC, Series NZMx1-A..
Number of outgoing circuits	7	≥ 7
Rated diversity factor (RDF)	acc.to IEC/EN 61439-2 table 101	acc.to IEC/EN 61439-2 table 101
Conductor cross-sections for rated currents	acc.to IEC/EN 61439-1 table 11	acc.to IEC/EN 61439-1 table 11
Temperature resistance cables (acc.to single-line diagram)	up to 105°C	up to 105°C
Temperature resistance flexibar (acc.to single-line diagram)	up to 125°C	up to 125°C
Calculated power loss (P _v) incl. devices, wiring, busbars, etc.	~ 140 W (± 5%)	≤ 140 W
Rated current of the assembly (I _{rA})	225.4 A	≤ 225.4 A *)
Rated current of the assembly of %	~ 90.2 % of I _N	

Single-line diagram of the assembly with rated current ≤ 250 A:



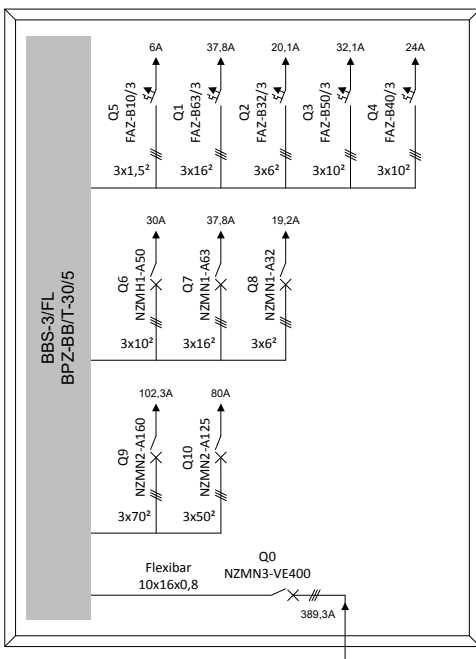
***) Table of rated currents of the assembly with main incomer part of NZMx2-A... / NZMx2-VE/AE... series:**

MCCB-Typ	Rated current (I _n)	Rated current of the assembly (I _{rA})	% of I _n
NZMx2-A...	125	125	100% (no derating necessary)
NZMx2-VE/AE...	160	160	
	200	187	93.50%
	250	225,4	90.20%

Temperature rise verification of a switchgear assembly with a single compartment and a rated current not exceeding 630 A according to IEC / EN 61439-1

	Verification by testing acc.to IEC/EN 61439-1 (sub-clause 10.10.2)	Derivation of ratings for similar variants acc.to IEC/EN 61439-1 (sub-clause 10.10.3)
	Characteristics of the tested switchgear combination according to the manufacturer's instructions:	Requirements of switchgear assemblies, which are going to be verified in accordance with the tested assembly:
Rated operational voltage (U _e)	415 VAC	up to 415 VAC
Rated frequency (f _n)	50 Hz	50 Hz / 60 Hz
Rated insulation voltage (U _i)	440 VAC	440 VAC
Pollution degree	3	3
Overvoltage category	III	III
Rated impulse withstand voltage (U _{imp})	4 kV	4 kV
Type of enclosure	BPM-O-800/10	BP(M)-O, BP(M)-F
Degree of protection (outside)	IP55	≤ IP55
(installation level)	IP2XC	IP2XC
Active ventilation	none	none
Type of assembly	Wall-mounted	Wall-mounted / stand-alone
Side-by-side arrangement	no	no
Dimensions of the enclosure (HxWxD)	1060x800x270 mm	≥ 1060x800x270 mm
Internal separation	none	none
Ambient temperature	35 °C	35 °C
Max. permissible temperature inside the enclosure	70 °C (ΔT = 35 K)	70 °C (ΔT = 35 K)
Main incomer (MCCB)	Typ NZMN3-VE400	Series NZMx3-A... / NZMx3-VE/AE... *)
Rated current (I _n)	400 A	up to 400 A
Type of outgoing (MCB/MCCB)	Series FAZ-Bxx/3 Series NZMx1-A..., NZMN2-A...	Series FAZ, FAZT, FAZ6, PLSM, PLS6, PLS4, CLS6, CLS4, PL6, PL7, PL9, PL10, EM, PXL, mMC, Series NZMx1-A..., NZMx2-A... / NZMx2-VE/AE...
Number of outgoing circuits	10	≥ 10
Rated diversity factor (RDF)	acc.to IEC/EN 61439-2 table 101	acc.to IEC/EN 61439-2 table 101
Conductor cross-sections for rated currents	acc.to IEC/EN 61439-1 table 11	acc.to IEC/EN 61439-1 table 11
Temperature resistance cables (acc.to single-line diagram)	up to 105°C	up to 105°C
Temperature resistance flexibar (acc.to single-line diagram)	up to 125°C	up to 125°C
Calculated power loss (P _v) incl. devices, wiring, busbars, etc.	~ 235 W (± 3%)	≤ 235 W
Rated current of the assembly (I _{nA})	389.3 A	≤ 389.3 A *)
Rated current of the assembly of %	~ 97.3 % of I _n	

Single-line diagram of the assembly with rated current ≤ 400 A:



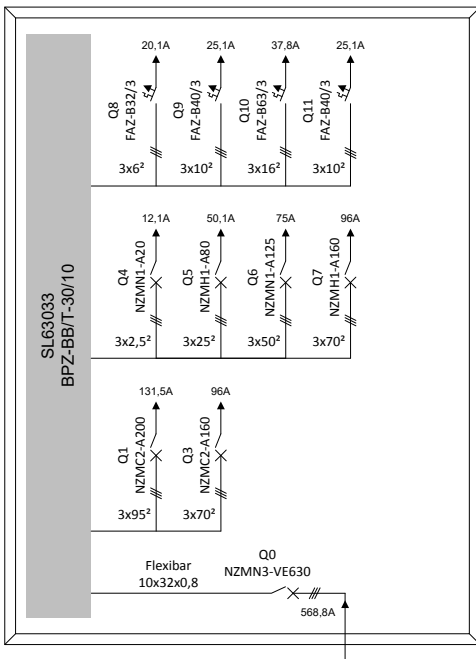
*) Table of rated currents of the assembly with main incomer part of NZMx3-A... / NZMx3-VE/AE... series:

MCCB-Typ	Rated current (I _n)	Rated current of the assembly (I _{nA})	% of I _n
NZMx3-A	250	200	80%
	320	256	
	400	320	
NZMx3-VE/AE...	250	250	100% (no derating necessary)
	400	389.3	97.3%

Temperature rise verification of a switchgear assembly with a single compartment and a rated current not exceeding 630 A according to IEC / EN 61439-1

	Verification by testing acc.to IEC/EN 61439-1 (sub-clause 10.10.2)	Derivation of ratings for similar variants acc.to IEC/EN 61439-1 (sub-clause 10.10.3)
	Characteristics of the tested switchgear combination according to the manufacturer's instructions:	Requirements of switchgear assemblies, which are going to be verified in accordance with the tested assembly:
Rated operational voltage (U _e)	415 VAC	up to 415 VAC
Rated frequency (f _n)	50 Hz	50 Hz / 60 Hz
Rated insulation voltage (U _i)	440 VAC	440 VAC
Pollution degree	3	3
Overvoltage category	III	III
Rated impulse withstand voltage (U _{imp})	4 kV	4 kV
Type of enclosure	BPM-O-800/12	BP(M)-O, BP(M)-F
Degree of protection (outside)	IP55	≤ IP55
(installation level)	IP2XC	IP2XC
Active ventilation	none	none
Type of assembly	Wall-mounted	Wall-mounted / stand-alone
Side-by-side arrangement	no	no
Dimensions of the enclosure (HxWxD)	1260x800x270 mm	≥ 1260x800x270 mm
Internal separation	none	none
Ambient temperature	35 °C	35 °C
Max. permissible temperature inside the enclosure	70 °C (ΔT = 35 K)	70 °C (ΔT = 35 K)
Main incomer (MCCB)	Typ NZMN3-VE630	Series NZMx3-A... / NZMx3-VE/AE... *)
Rated current (I _n)	630 A	up to 630 A
Type of outgoing (MCB/MCCB)	Series FAZ-Bxx/3 Series NZMx1-A..., NZMC2-A...	Series FAZ, FAZT, FAZ6, PLSM, PLS6, PLS4 CLS6, CLS4, PL6, PL7, PL9, PL10, EM, PXL, mMC Series NZMx1-A..., NZMx2-A... / NZMx2-VE/AE...
Number of outgoing circuits	10	≥ 10
Rated diversity factor (RDF)	acc.to IEC/EN 61439-2 table 101	acc.to IEC/EN 61439-2 table 101
Conductor cross-sections for rated currents	acc.to IEC/EN 61439-1 table 11	acc.to IEC/EN 61439-1 table 11
Temperature resistance cables (acc.to single-line diagram)	up to 105°C	up to 105°C
Temperature resistance flexibar (acc.to single-line diagram)	up to 125°C	up to 125°C
Calculated power loss (P _v) incl. devices, wiring, busbars, etc.	~ 340 W (± 3%)	≤ 340 W
Rated current of the assembly (I _{nA})	568.8 A	≤ 568.8 A *)
Rated current of the assembly of %	~ 90.3 % of I _n	

Single-line diagram of the assembly with rated current ≤ 630 A:



***) Table of rated currents of the assembly with main incomer part of NZMx3-A... / NZMx3-VE/ AE... series:**

MCCB-Typ	Rated current (I _n)	Rated current of the assembly (I _{nA})	% of I _n
NZMx3-A...	320	320	100% (no derating necessary)
	400	400	
	500	500	
NZMx3-VE/AE...	250	250	100% (no derating necessary)
	400	400	
	630	568.8	90.30%

Eaton's electrical business is a global leader with deep regional application expertise in power distribution and circuit protection; power quality, backup power and energy storage; control and automation; life safety and security; structural solutions; and harsh and hazardous environment solutions. Through end-to-end services, channel and an integrated digital platform & insights Eaton is powering what matters across industries and around the world, helping customers solve their most critical electrical power management challenges.

For more information, visit [Eaton.com](https://www.eaton.com).



<http://id1.hu/eaton/elosztoszekrenyek-tokozatok>

Eaton Industries (Austria) GmbH
Schedygasse 42
1210 Vienna
Austria

Eaton
EMEA Headquarters
Route de la Longeraie 7
1110 Morges, Switzerland

© 2022 Eaton
All Rights Reserved
Publication No. CA014010EN
Article number 192601-MK
September 2022

Changes to the products, to the information contained in this document, and to prices are reserved; as are errors and omissions. Only order confirmations and technical documentation by Eaton is binding. Photos and pictures also do not warrant a specific layout or functionality. Their use in whatever form is subject to prior approval by Eaton. The same applies to trademarks (especially Eaton, Moeller, and Cutler-Hammer). The Terms and Conditions of Eaton apply, as referenced on Eaton Internet pages and Eaton order confirmations.

Eaton is a registered trademark.

All other trademarks are property of their respective owners.

Follow us on social media to get the latest product and support information.

